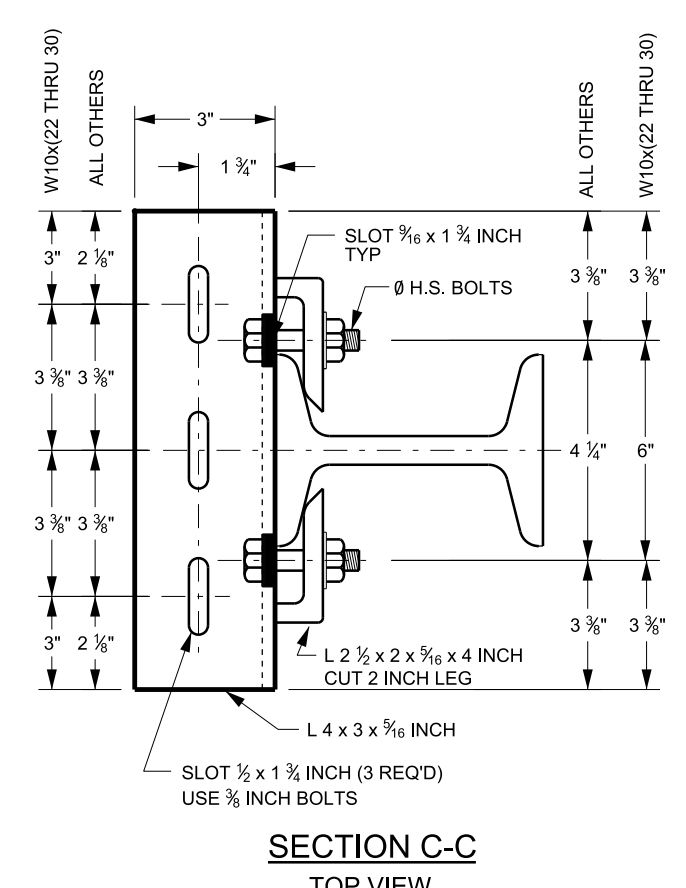
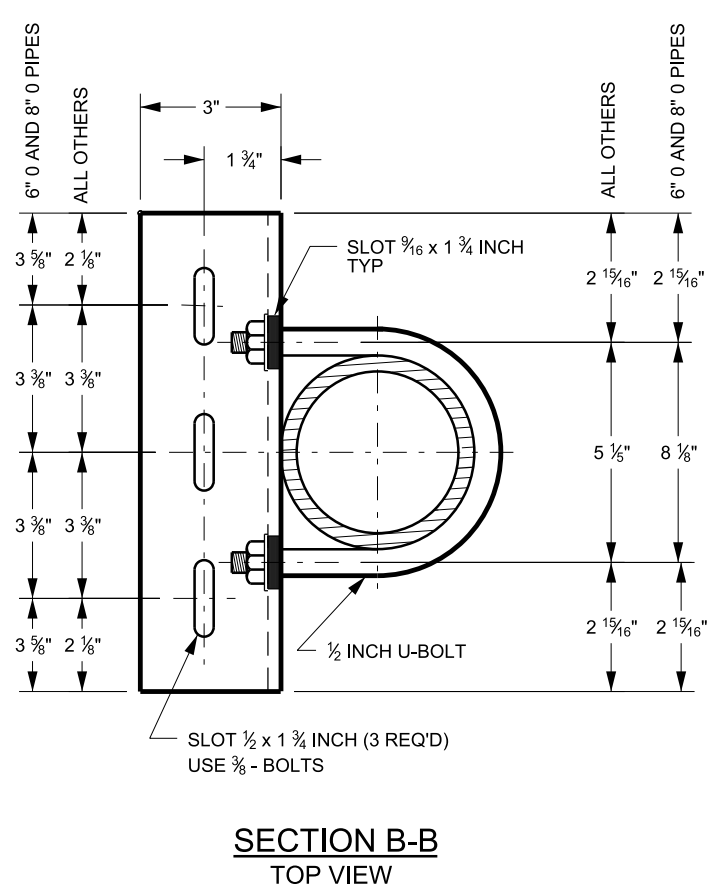
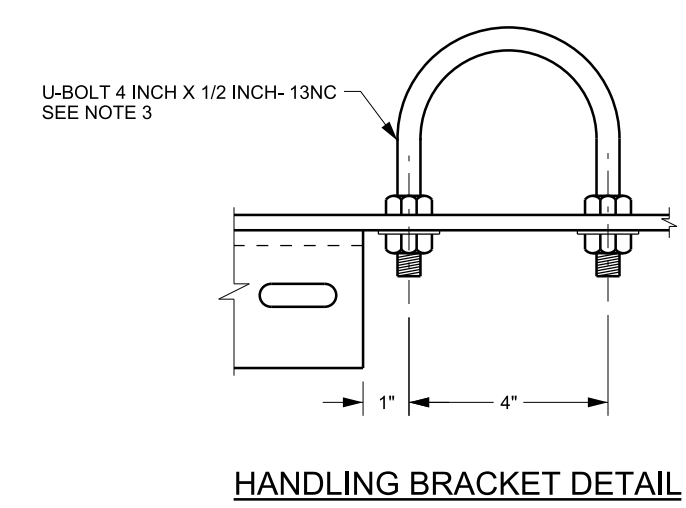
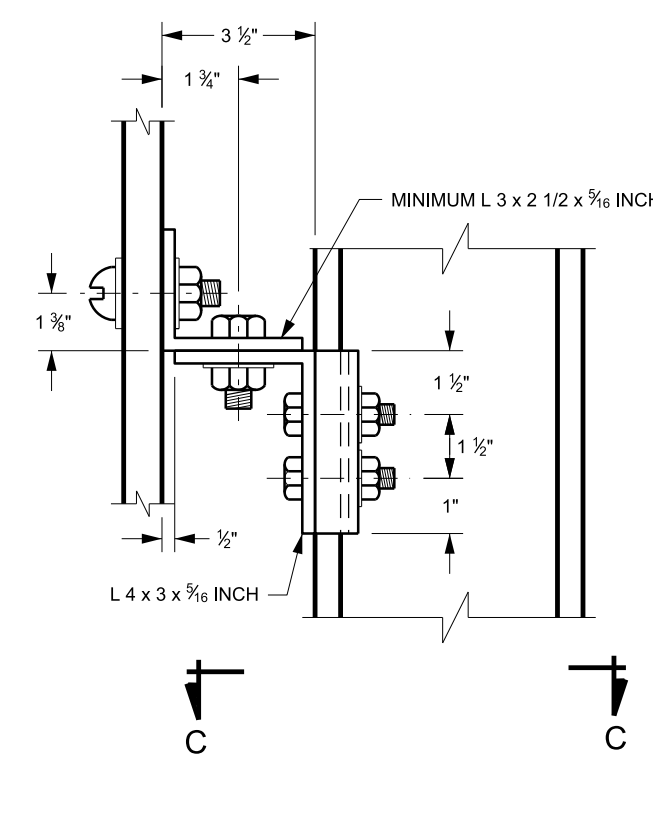
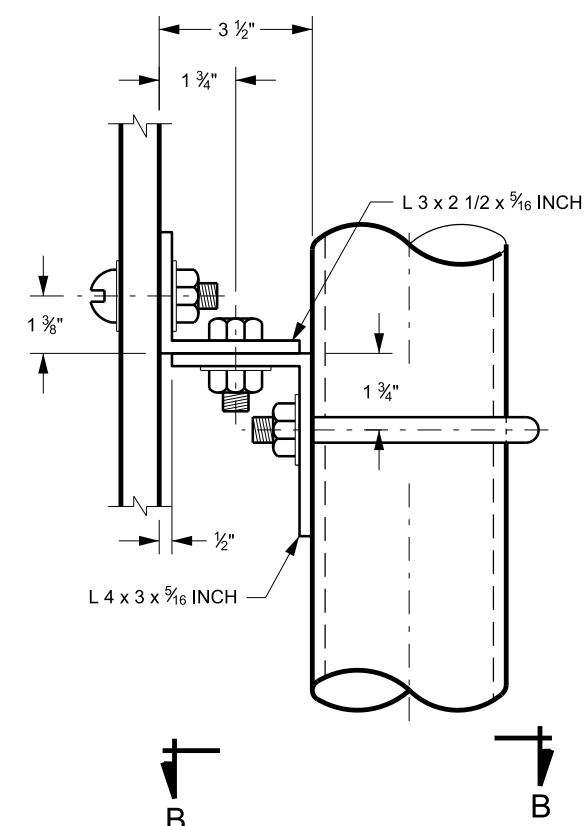


D:\Standard\Drawings\Impervial\2012\Approved\Supplemental\Issues\Supp\Approved\SN14E.dgn



- NOTES:**
1. REFER TO STD DWG SN 14A FOR GENERAL NOTES.
 2. "Z" BAR TO POST ATTACHMENT ACCEPTABLE ACCORDING TO STD DWG SN 14A SIGN PANEL POST FOUNDATION TABLE.
 3. USE GALVANIZED HARDWARE EXCEPT AS NOTED.

REVISIONS		NO.	DATE	APPR.	REMARKS
1	8/30/12	MD			CHANGED B-B TO C-C. ADDED NEW B-B. DELETED NOTE 4.

UTAH DEPARTMENT OF TRANSPORTATION
STANDARD DRAWINGS FOR ROAD AND BRIDGE CONSTRUCTION
SALT LAKE CITY, UTAH

RECOMMENDED FOR APPROVAL
Randy Park
CHAIRMAN STANDARDS COMMITTEE

APPROVED
Carla
DEPUTY DIRECTOR

DATE: AUG. 30, 2012
DATE: AUG. 30, 2012

FREWAY SIGN BRACKET DETAILS

STANDARD DRAWING TITLE

STD. DWG. NO.
SN 14E

SUPPLEMENTAL DRAWING