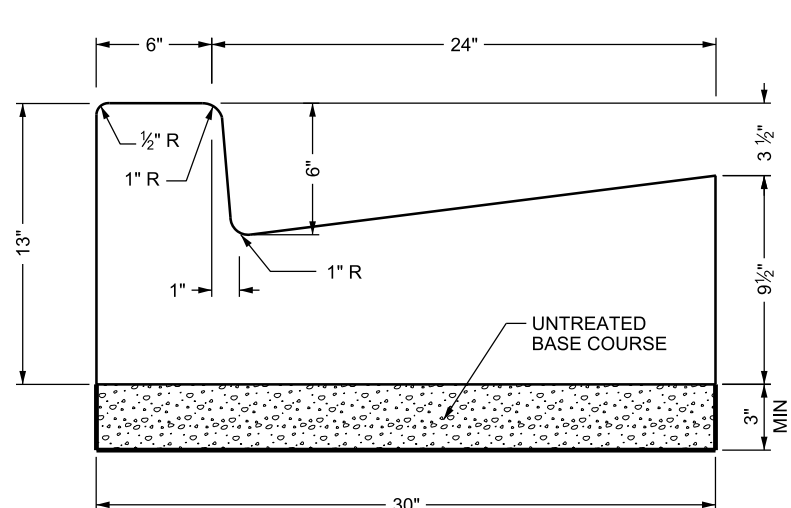
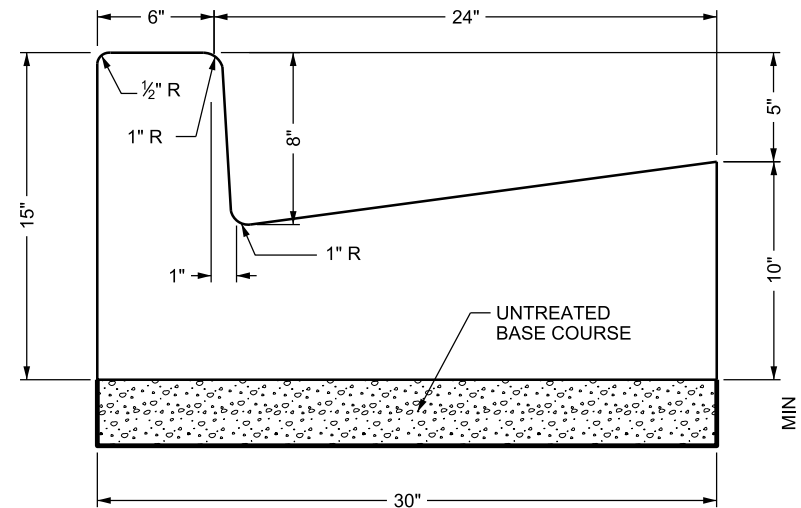


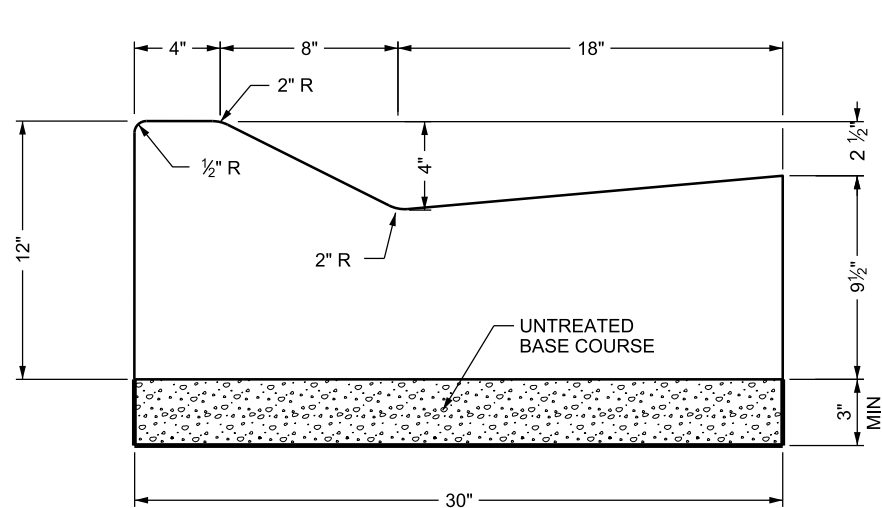
DGN File: D:\Standards\Specs\Section\2017\Section\111_Supp_Issues\Issue 2 08-31-2017\Drawings\DWG2A.dgn



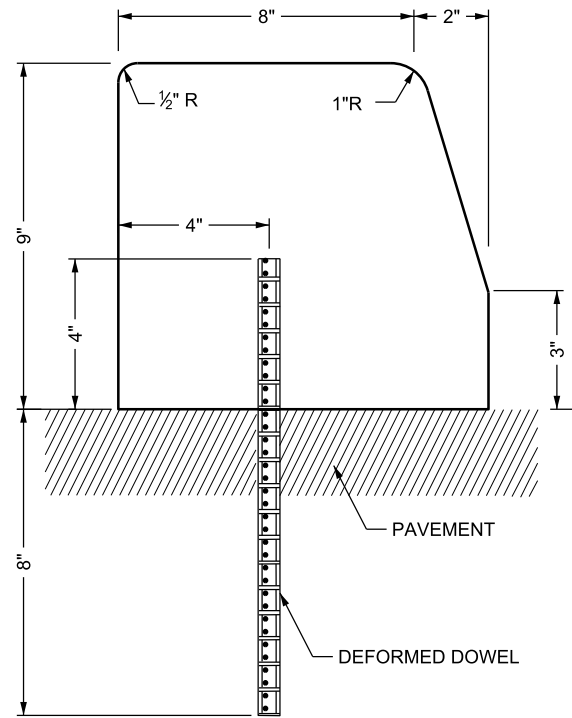
TYPE B1 CURB & GUTTER
AREA = 1.929 SQ FT



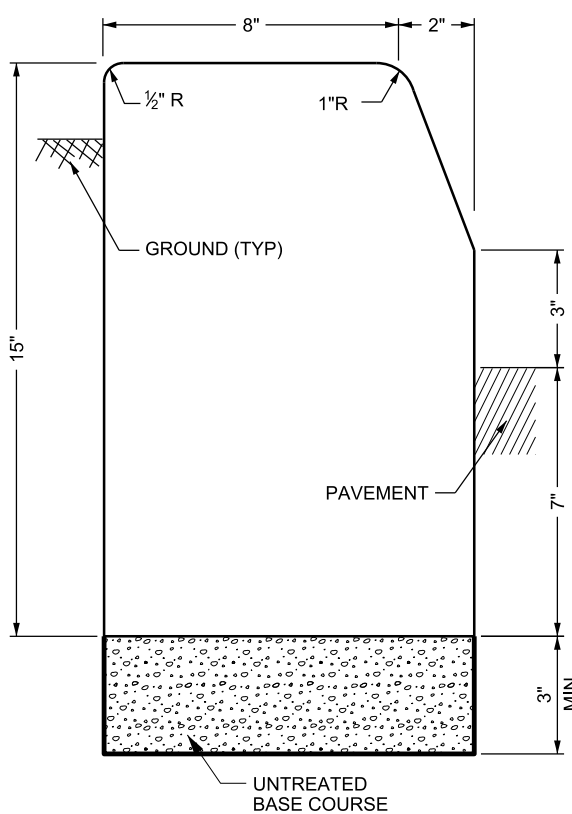
TYPE B2 CURB & GUTTER
AREA = 2.059 SQ FT



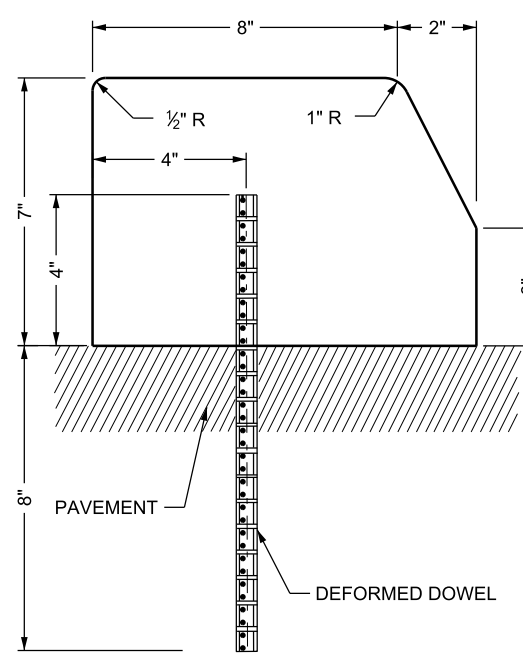
TYPE M1 CURB & GUTTER
AREA = 1.982 SQ FT



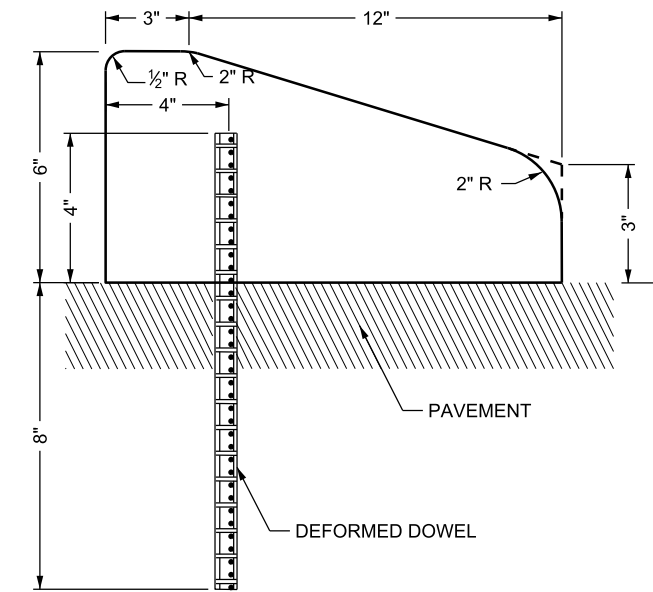
TYPE B3 CURB
AREA = 0.580 SQ FT



TYPE B4 CURB
AREA = 1.033 SQ FT



**TYPE B5 CURB
RAISED MEDIAN**
AREA = 0.490 SQ FT



TYPE M2 CURB
AREA = 0.484 SQ FT

NOTES:

1. USE 3/4 INCH DEFORMED DOWELS ON 5 FT MAXIMUM CENTERS.
2. PRECAST CURBS:
 - A. MINIMUM OF 10 FT IN LENGTH.
 - B. DOWELS AT A MINIMUM OF 3 PER 10 FT LENGTH.
 - C. INCLUDE ADEQUATE REINFORCING STEEL TO WITHSTAND HANDLING STRESSES.
3. MEASURE CURB HEIGHT VERTICALLY FROM THE FLOW LINE OF THE GUTTER TO TOP BACK OF CURB.
4. REFER TO STD DWG GW 2B FOR CURB AND GUTTER AT ADA ACCESSSES.

DESIGN-ONLY NOTES:

- A. DRAINAGE CURBS: TYPE B1, B2 & M1.
- B. MOUNTABLE CURBS: TYPES M1 & M2. REFER TO THE AASHTO POLICY ON GEOMETRIC DESIGN OF HIGHWAYS AND STREETS FOR APPLICATION.
- C. USE CURBS TYPES B1, B2, B3, B4 & B5 WITH DESIGN SPEED UP TO 40 MPH EXCEPT IN PREDOMINATELY URBAN OR RAPIDLY DEVELOPING RURAL AREAS WHERE CURBS MAY BE USED WITH DESIGN SPEEDS UP TO 50 MPH.
- D. USE TYPE B4 ONLY AS BORDER CURB.

SUPPLEMENTAL DRAWING

REVISIONS			
NO.	DATE	APPR.	REMARKS
1	8/31/17	CGW	LEVELLED BOTTOM OF CURB AND GUTTER SECTIONS

UTAH DEPARTMENT OF TRANSPORTATION
STANDARD DRAWINGS FOR ROAD AND BRIDGE CONSTRUCTION
SALT LAKE CITY, UTAH

RECOMMENDED FOR APPROVAL
Randall A. Park
CHAIRMAN STANDARDS COMMITTEE

APPROVED
[Signature]
DEPUTY DIRECTOR

DATE: AUG. 31, 2017

CONCRETE CURB AND GUTTER TYPES

STANDARD DRAWING TITLE

STD. DWG. NO. **GW 2A**