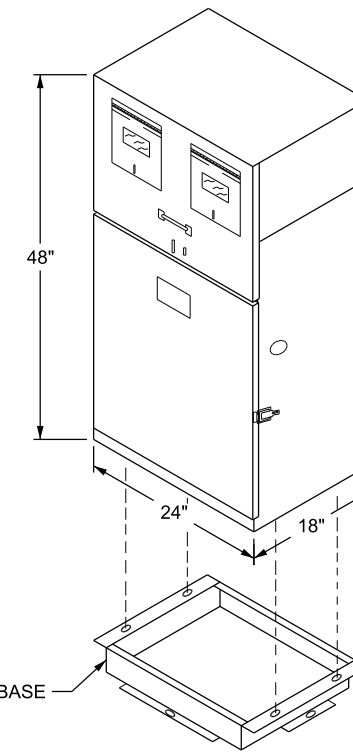


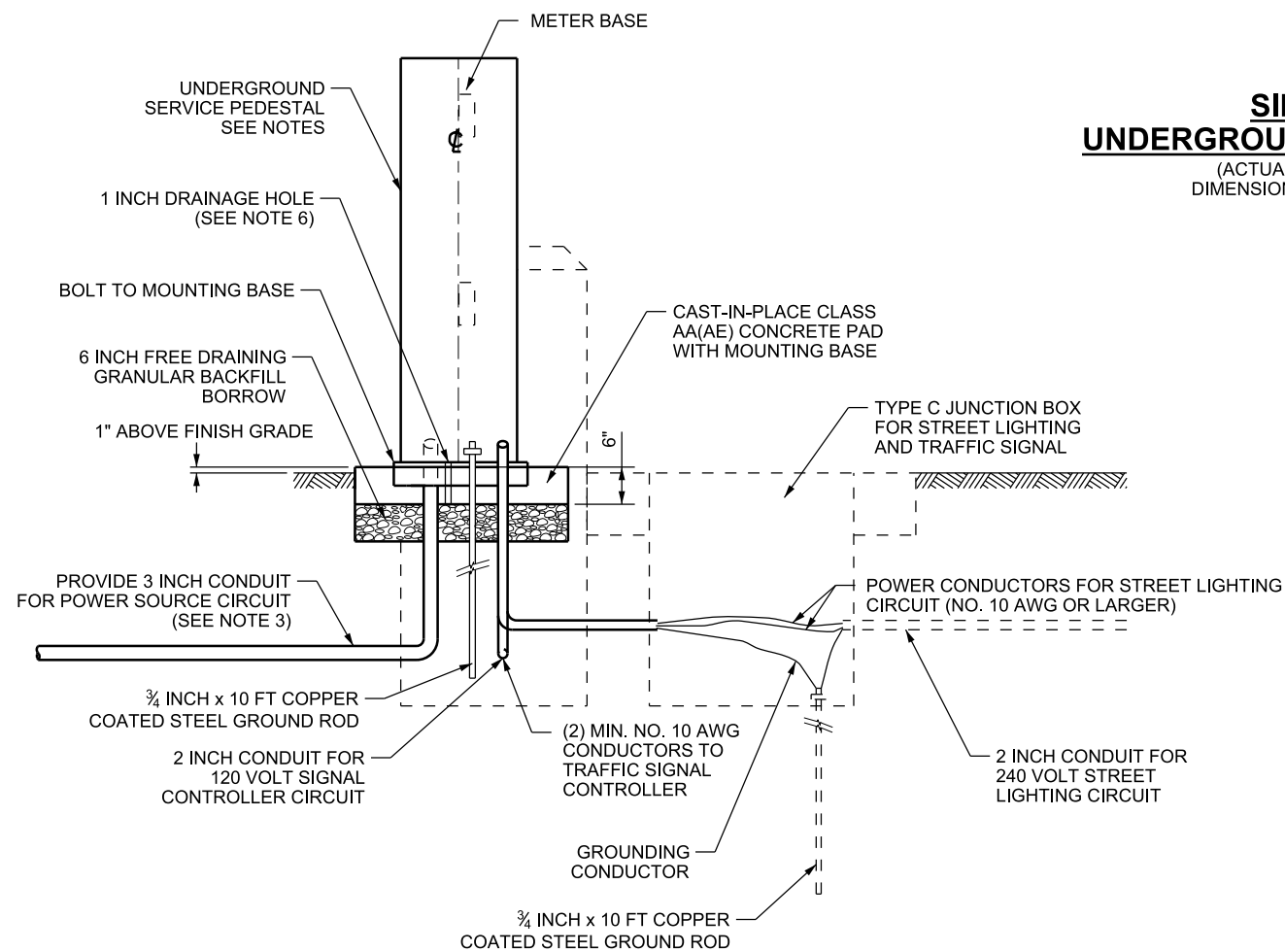
**SINGLE METER UNDERGROUND SERVICE PEDESTAL**

(ACTUAL DIMENSIONS MAY VARY, DIMENSIONS FOR INFORMATION ONLY)



**DUAL METER UNDERGROUND SERVICE PEDESTAL**

(ACTUAL DIMENSIONS MAY VARY, DIMENSIONS FOR INFORMATION ONLY)



**NOTES:**

1. LOCATE SERVICE PEDESTAL ON EITHER SIDE OF TRAFFIC SIGNAL CABINET FOUNDATION AS SHOWN. LOCATION MAY BE MODIFIED TO BEST SUIT FIELD CONDITIONS WITH ENGINEER'S APPROVAL. MAINTAIN 48 INCH MINIMUM CLEARANCE AROUND EACH UNIT WITH DOORS OPENED TO ANY POSITION. PLACE UNDERGROUND SERVICE PEDESTAL WITHIN 20 FT OF CABINET.
2. LOCATE SERVICE PEDESTAL AND CONTROLLER SO WATER DRAINS AWAY FROM FOUNDATIONS AND JUNCTION BOXES. SITE PREPARATION, INCLUDING GRADING, MAY BE REQUIRED BEFORE PLACING EQUIPMENT.
3. PROVIDE SINGLE-PHASE, 3-WIRE, 100A SERVICE. COORDINATE WITH LOCAL UTILITIES REGARDING SERVICE CONDUCTORS.
4. PROVIDE UNDERGROUND SERVICE PEDESTAL PER STANDARD SPECIFICATION 16530 AND AS SPECIFIED IN THE CONTRACT DOCUMENTS.
5. SEE STD DWG SL 4D FOR JUNCTION BOX DETAILS.
6. INSTALL SAND AND CEMENT DRY PACK (GROUT) WITHIN MOUNTING BASE AFTER INSTALLATION OF CONDUITS AND GROUND ROD. PROVIDE 1-INCH DRAINAGE HOLE AT LOW POINT TO ALLOW DRAINAGE FROM TOP OF GROUT.
7. CAST PEDESTAL MOUNTING BASE INTO CONCRETE PEDESTAL PAD.

SUPPLEMENTAL DRAWING

REVISIONS			
NO.	DATE	APPR.	REMARKS
1	8/31/17	JS	REVISED CALLOUTS AND NOTES.

UTAH DEPARTMENT OF TRANSPORTATION  
STANDARD DRAWINGS FOR ROAD AND BRIDGE CONSTRUCTION  
SALT LAKE CITY, UTAH

RECOMMENDED FOR APPROVAL  
CHAIRMAN STANDARDS COMMITTEE  
APPROVED  
DEPUTY DIRECTOR

AUG. 31, 2017  
DATE

AUG. 31, 2017  
DATE

**UNDERGROUND SERVICE PEDESTALS**

STANDARD DRAWING TITLE

STD. DWG. NO.  
SL 4C