

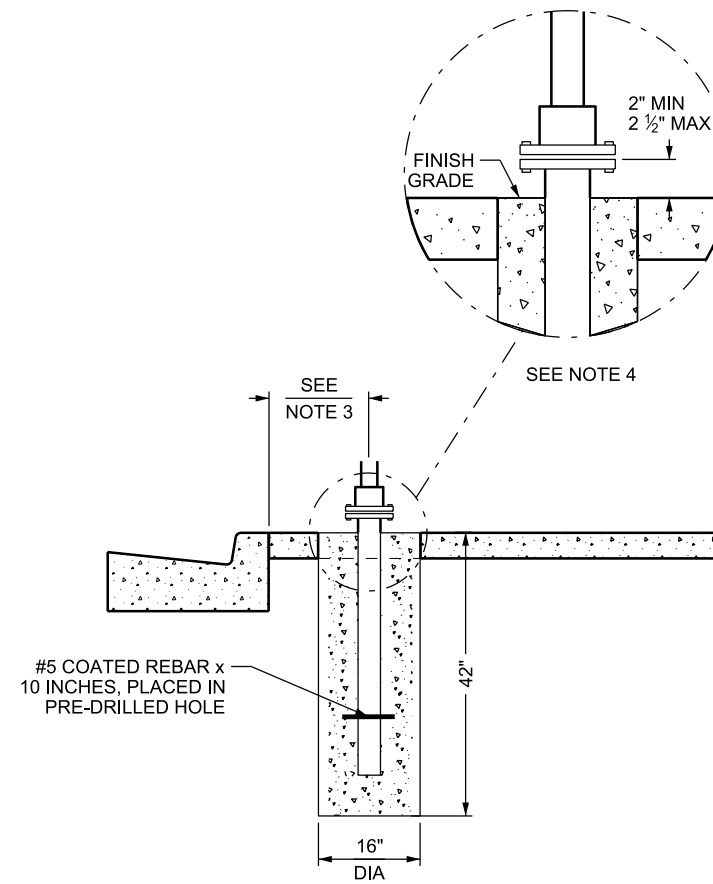
**SLIPBASE GROUND STUB FOUNDATION DETAIL**

APPLIES TO SINGLE AND DOUBLE POST APPLICATIONS

		SIGN WIDTH (FT.)				
		2	2.5	3	4	5
SIGN HEIGHT (FT.)	1				P3	P3
	2				P3	P3
	2.5				P3	P3
	3				P3	P4
	4			P3	P4	P5
	5		P3	P3	P4	P5
	6		P3	P3	P4	P5
7		P3	P3	P4	P5	

"T" OR "U" BRACKET RECOMMENDED FOR SIGNS GREATER THAN 4 FEET WIDE

		SIGN WIDTH (FT.)					
		5	6	7	8	9	10
SIGN HEIGHT (FT.)	2	P3	P3	P3	P3	P3	P3
	3	P3	P3	P3	P3	P4	P4
	4	P3	P3	P4	P4	P4	P4
	5	P4	P4	P4	P4	P5	P5
	6	P4	P4	P5	P5	P5	P5
	7	P4	P5	P5	P5	P5	
	8	P5	P5	P5	P5		



**SLIPBASE DETAIL FOR SIDEWALK**

**NOTES:**

- REFER TO STD DWG SN 12B FOR POST REQUIREMENTS.
- REFER TO SN 9 SERIES STD DWGS FOR MOUNTING AND HARDWARE REQUIREMENTS.
- REFER TO SN 2 SERIES STD DWGS FOR HEIGHT AND OFFSET REQUIREMENTS.
- CORE DRILL SLIPBASE HOLE. INSTALL SLIPBASE AFTER PLACEMENT OF FINISHED GRADE.
- PLACE TOP OF SLIPBASE STUB FLUSH WITH TOP OF THE ISLAND, WITH A TOLERANCE OF + 1/8 INCH, FOR ISLAND INSTALLATION (DO NOT PLACE BELOW TOP OF CURB).
- USE THE LOWER VALUE WHEN THE SIGN WIDTH OR HEIGHT FALLS BETWEEN TWO VALUES, FOR POST AND SPACING REQUIREMENTS.
- USE CONCRETE CLASS B(AE). PROJECT TOTALS REQUIRING ONE CUBIC YARD OR LESS A COMMERCIALLY AVAILABLE PRODUCT THAT MEETS OR EXCEEDS 4,000 PSI OR A CONCRETE MIX MEETING STANDARD SPECIFICATION 03055 CONCRETE CLASS B MAY BE USED. MIX BEFORE PLACING.
- ALLOW FOR 7 DAY CURE TIME BEFORE INSTALLING SIGN POST. PRECAST SIGN FOUNDATION MAY BE USED.
- SEE STD DWG SN 15F FOR BREAKAWAY SUPPORT STUB HEIGHT MEASUREMENT.

**DESIGN-ONLY NOTES:**

- DO NOT EXCEED MAXIMUM SQUARE FOOTAGE OF SINGLE POST APPLICATION BY MORE THAN 25 PERCENT WHEN INSTALLING A SUPPLEMENTAL SIGN (EX: POST P5 - MAX. SIGN SIZE 5 FT W x 7 FT H = 35 SQ FT + 25 PERCENT = 43 1/4 SQ FT > (5 FT W x 7 FT H) + (3 FT W x 2.5 FT H) = 42 1/2 SQ FT).

**SUPPLEMENTAL DRAWING**

REVISIONS	
NO.	DATE
1	2/22/18
	CGW
	APPR.
	REMARKS

**UTAH DEPARTMENT OF TRANSPORTATION**  
STANDARD DRAWINGS FOR ROAD AND BRIDGE CONSTRUCTION  
SALT LAKE CITY, UTAH

RECOMMENDED FOR APPROVAL  
*Randy...*  
CHAIRMAN STANDARDS COMMITTEE APPROVED

DATE: FEB. 22, 2018  
DATE: FEB. 22, 2018  
DEPUTY DIRECTOR

**SLIPBASE SIGN BASE (B3) INSTALLATION**

STANDARD DRAWING TITLE

STD. DWG. NO. SN 12A