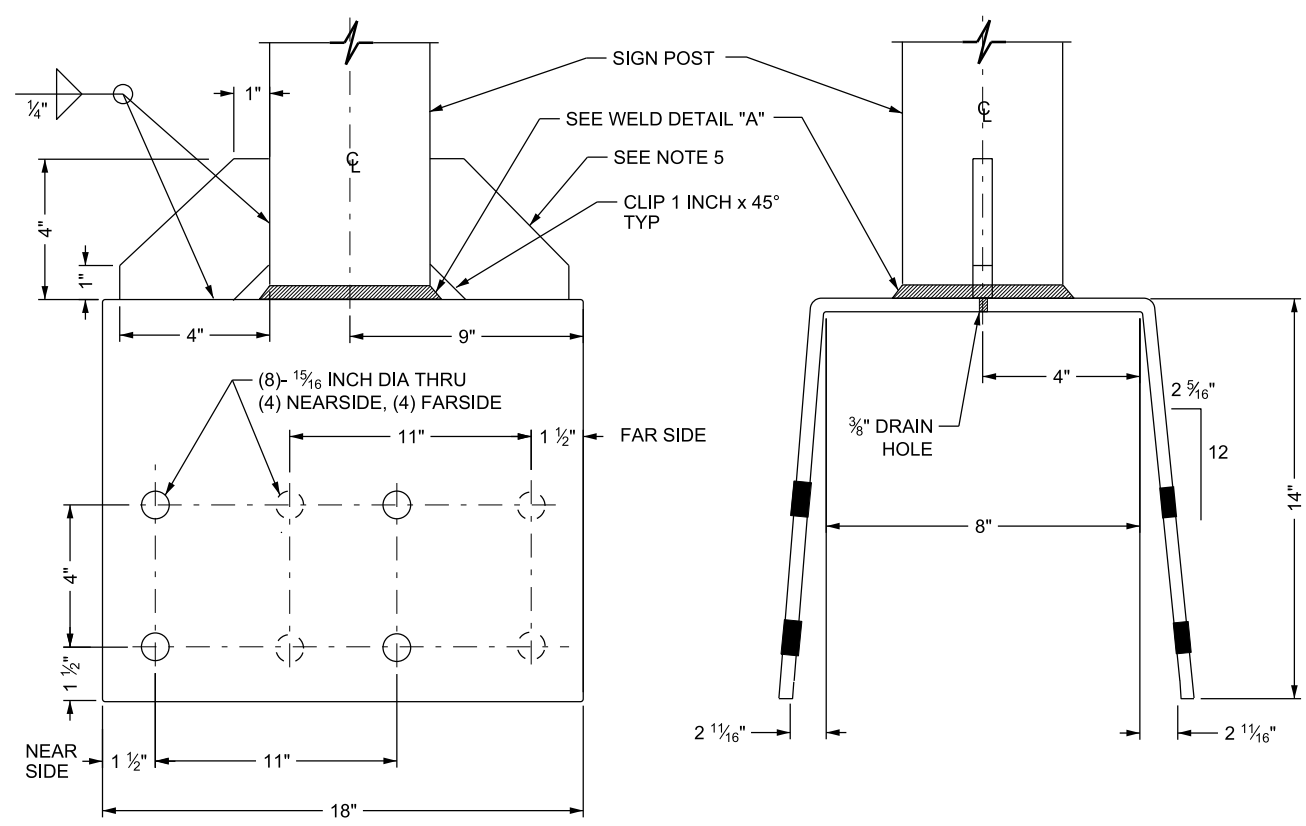
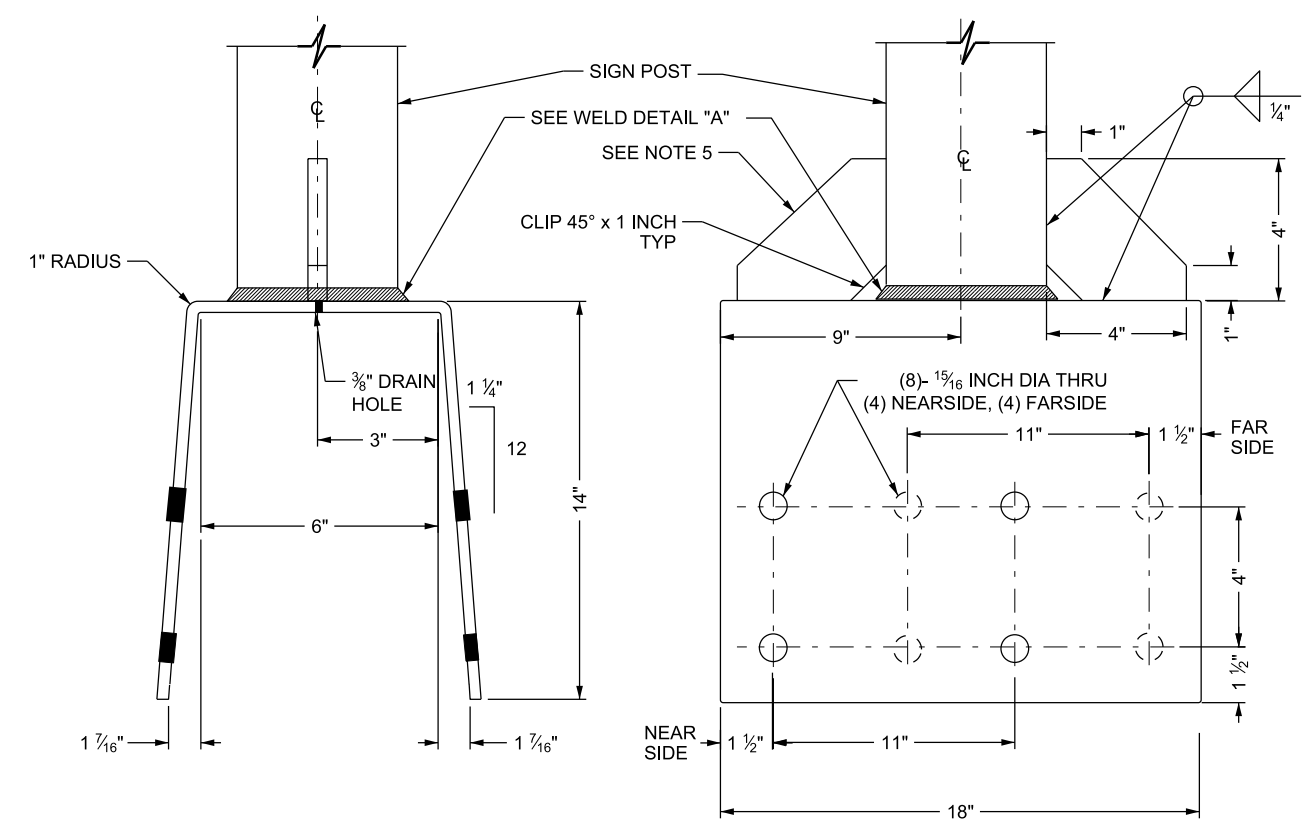


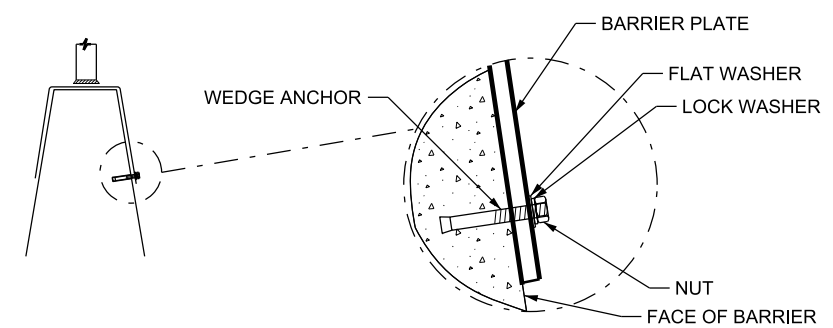
07-MAR-2018 DGN File: D:\StandardSpec\Section\2017\Section\All_Supp_Issues\Issue 4 02-22-2018\Drawings\SN14B.dgn



42-INCH CONSTANT SLOPE BARRIER PLATE DETAIL
42-INCH CONSTANT SLOPE BARRIER TOP MOUNT
4 INCH TUBULAR STEEL SIGN BASE (B5A)



JERSEY SHAPE BARRIER PLATE DETAIL
JERSEY SHAPE BARRIER TOP MOUNT
4 INCH TUBULAR STEEL SIGN BASE (B5B)



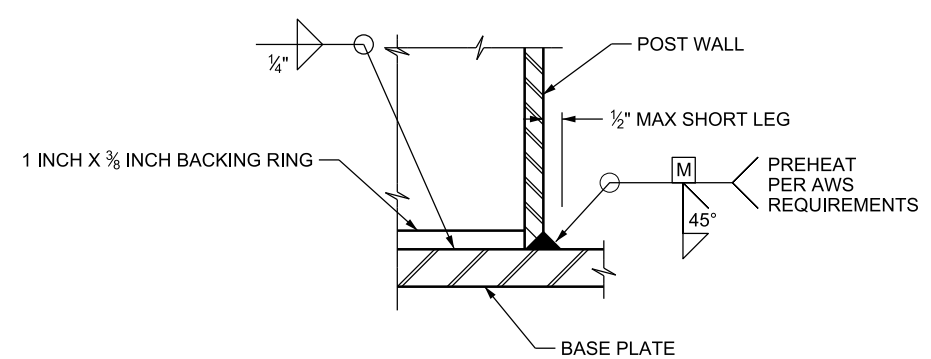
- HARDWARE REQUIRED EACH SIDE:**
- 4 - 3/4 x 5 1/2 INCH MECHANICAL WEDGE ANCHORS HOT DIPPED GALVANIZED
 - 4 - 3/4 INCH FLAT WASHERS HOT DIPPED GALVANIZED
 - 4 - 3/4 INCH LOCK WASHERS HOT DIPPED GALVANIZED
 - 4 - 3/4 INCH NUTS, HOT DIPPED GALVANIZED

INSTALLATION:

DRILL (4) - 3/4 INCH DIA HOLES 5 INCH DEEP, CLEAN HOLE PRIOR TO INSTALLING ANCHORS

NO MORE THAN 1/2 INCH OF THREAD TO BE EXPOSED BEYOND NUT AFTER NUT IS TIGHTENED. DO NOT FLAME CUT WEDGE ANCHORS

MOUNTING AND INSTALLATION
FOR CONSTANT SLOPE AND STANDARD SECTION



WELD DETAIL "A"

BARRIER PLATE FABRICATION REQUIREMENTS:

BASE PLATE: 3/8 INCH ASTM A 36 STEEL. BEND AS PER DETAIL
 SIGN POST: 4 INCH NOMINAL SCHEDULE 80 MEETING ONE OF THE FOLLOWING ASTM GRADES: ASTM A 53 Gr B, ASTM A 500 Gr B, ASTM API 5L Gr B / X42.
 MEET ASTM A 123 GALVANIZING AFTER FABRICATION IS COMPLETED.

GENERAL NOTES:

1. REFER TO STD DWG SN 8 FOR SIGN MOUNTING AND HARDWARE REQUIREMENTS.
2. REFER TO STD DWG SN 2B FOR SIGN MOUNTING AND SIGN WIDTH REQUIREMENT.
3. POST LENGTH DETERMINED BY SIGN SIZE.
4. USE 36 SQ FT MAXIMUM SIGN PANEL AREA.
5. USE 1/2 INCH STIFFENER PLATES FOR SIGN PANEL AREA GREATER THAN 27 SQ FT.
6. ALL WELDING TO COMPLY WITH AWS STD D1.1.
7. LEADING EDGE SHOULD BE FLUSH WITH BARRIER.

SUPPLEMENTAL DRAWING

REVISIONS			
NO.	DATE	APPR.	REMARKS
1	2/22/18	CGW	ADDED 42-INCH TO DETAIL TITLE

UTAH DEPARTMENT OF TRANSPORTATION
 STANDARD DRAWINGS FOR ROAD AND BRIDGE CONSTRUCTION
 SALT LAKE CITY, UTAH

RECOMMENDED FOR APPROVAL: *[Signature]*
 CHAIRMAN STANDARD SPEC COMMITTEE
 APPROVED: *[Signature]*
 DEPUTY DIRECTOR

FEB. 22, 2018 DATE
 FEB. 22, 2018 DATE

BARRIER MOUNTED TUBULAR STEEL SIGN BASES (B5A AND B5B)

STANDARD DRAWING TITLE

STD. DWG. NO. **SN 14B**