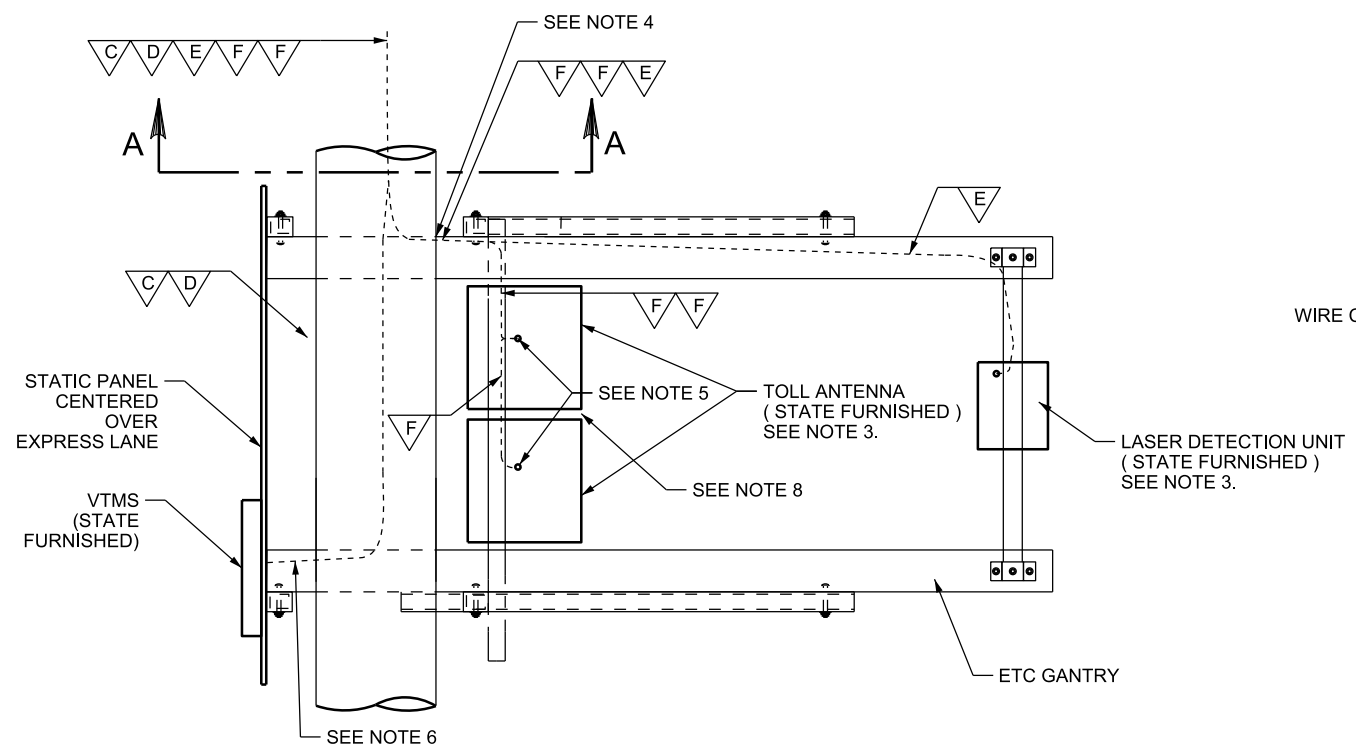
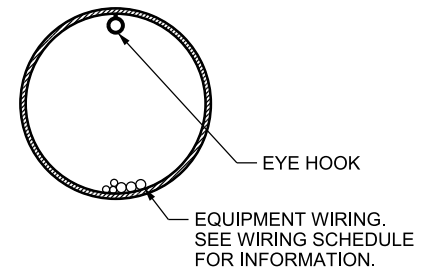


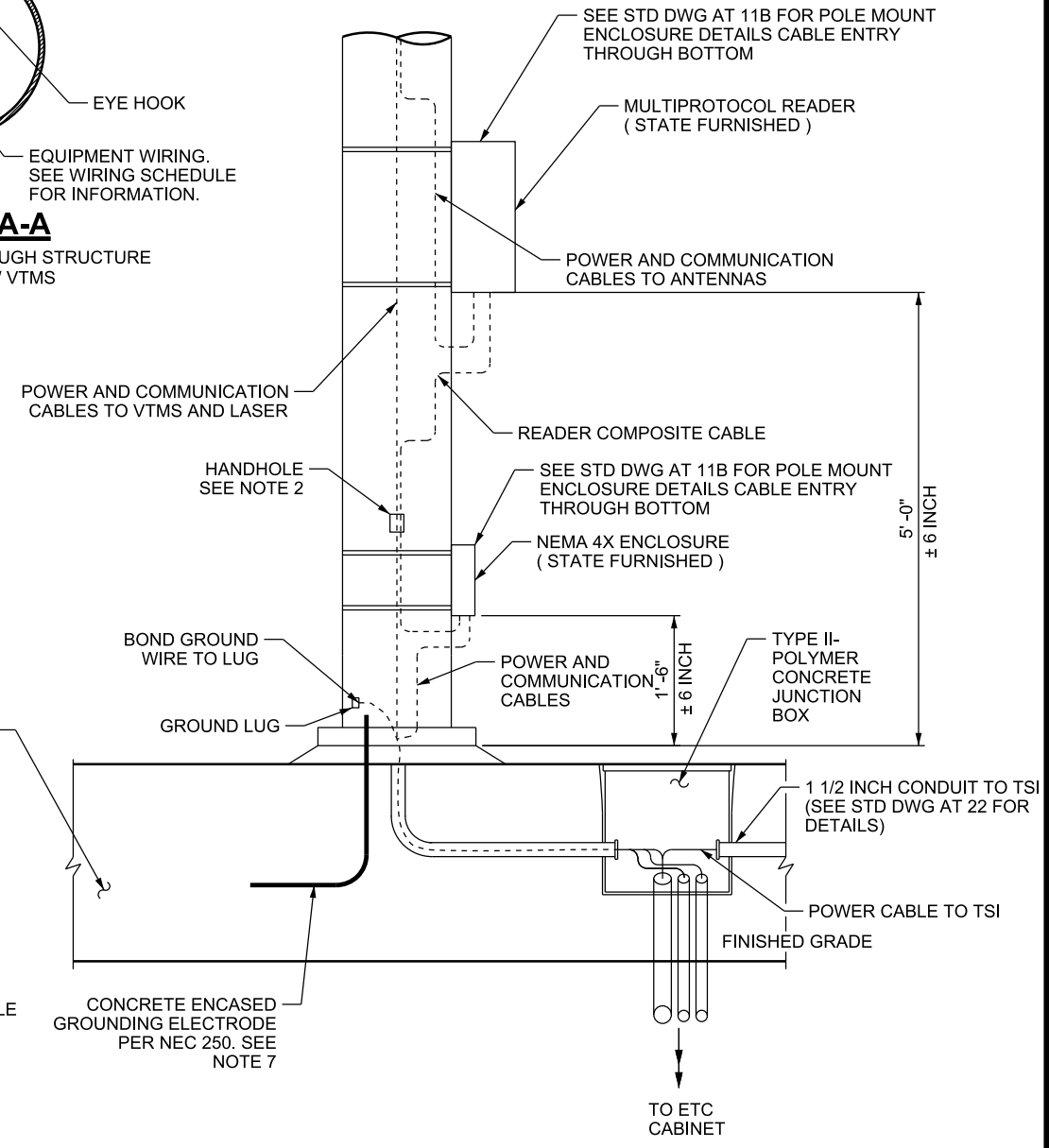
08-JUL-2018 DGN File: D:\StandardSpec\Section\2017\Section\All Supp Issues\Issue 5 06-28-2018\Drawings\A121.dgn



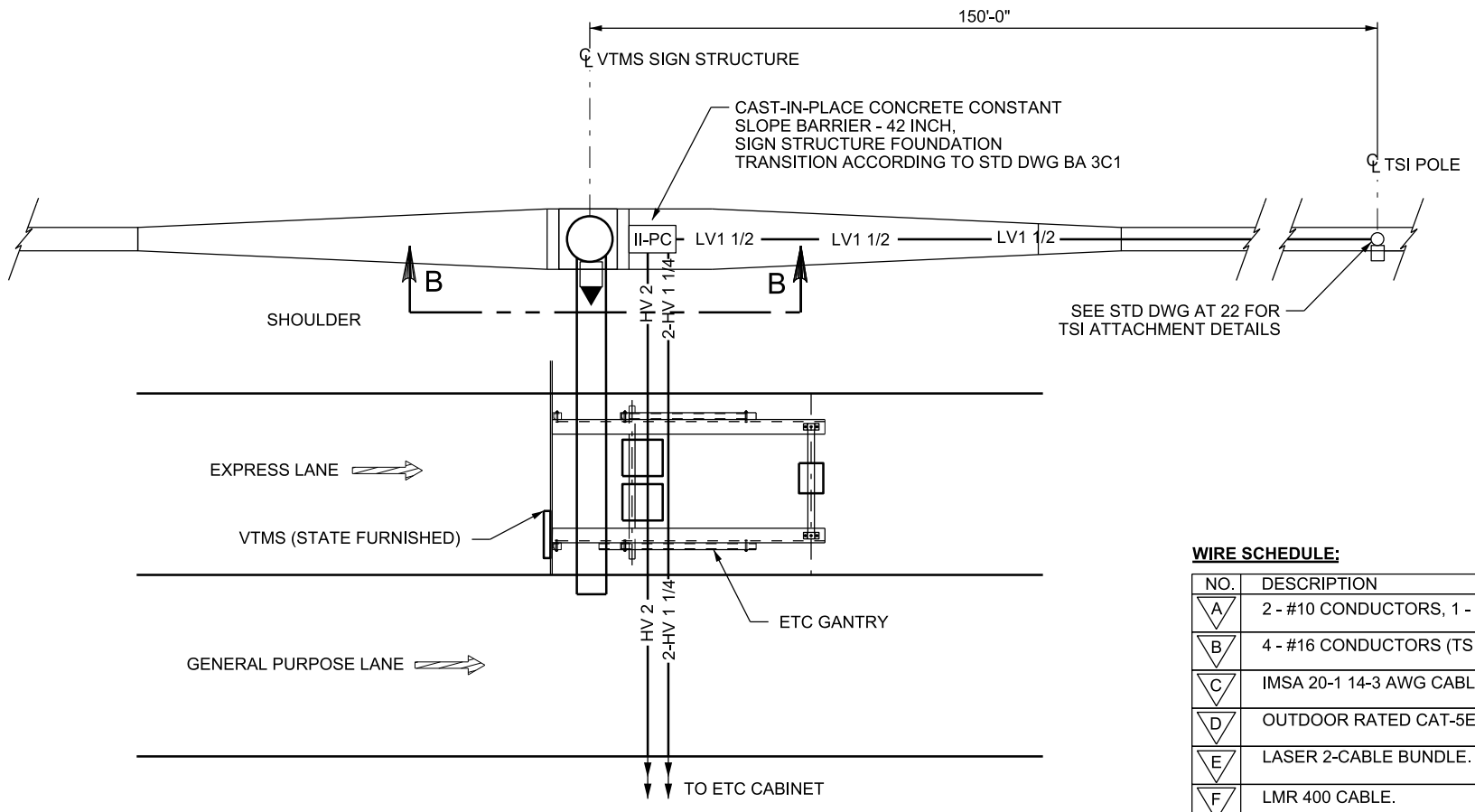
A ETC GANTRY EQUIPMENT LOCATION DETAIL



SECTION A-A
WIRE CONFIGURATION THROUGH STRUCTURE TO ETC EQUIPMENT / VTMS



SECTION B-B



C ETC PLAZA DETAIL

WIRE SCHEDULE:

NO.	DESCRIPTION
A	2 - #10 CONDUCTORS, 1 - #10 EQUIPMENT GROUND.
B	4 - #16 CONDUCTORS (TSI 2A-1604).
C	IMSA 20-1 14-3 AWG CABLE.
D	OUTDOOR RATED CAT-5E CABLE.
E	LASER 2-CABLE BUNDLE. (STATE FURNISHED)
F	LMR 400 CABLE.
G	READER COMPOSITE CABLE (STATE FURNISHED)
H	6 SMFO PRETERMINATED DROP CABLE.

NOTES:

- SEE STRUCTURE DRAWINGS FOR ETC GANTRY DIMENSIONS AND DETAILS.
- PLACE NEMA 4X ENCLOSURE TO AVOID CONFLICT WITH HANDHOLE.
- SEE STD DWG AT 22 FOR GANTRY EQUIPMENT ATTACHMENT DETAILS.
- USE CABLE EXIT STRAIN RELIEF, 1 1/2 INCH WITH SOLID INSERT OR EQUIVALENT. DRILL HOLES IN INSERT TO CABLE SIZE.
- USE CABLE ENTRY STRAIN RELIEF, 5 INCH HEAT SHRINK TUBING WITH GLUE. APPLY WITH HEAT GUN ONLY.
- USE 3/4 INCH LIQUID TIGHT FLEXIBLE METAL CONDUIT, TYPE LFMC BETWEEN STRUCTURE AND VTMS.
- REFER TO STANDARD SPECIFICATION 16530 FOR CONCRETE ENCASED GROUNDING ELECTRODE REQUIREMENTS.
- GAP BETWEEN ANTENNAS IS 6 INCHES.

NO.	DATE	APPR.	REMARKS
1	6/28/18		SPECIFICATION REFERENCE IN NOTE 7 UPDATED.

UTAH DEPARTMENT OF TRANSPORTATION
STANDARD DRAWINGS FOR ROAD AND BRIDGE CONSTRUCTION
SALT LAKE CITY, UTAH

RECOMMENDED FOR APPROVAL

 RANDALL J. FAGAN
 CHAIRMAN STANDARDS COMMITTEE
 APPROVED

DATE: JUNE 28, 2018
 DATE: JUNE 28, 2018
 DEPUTY DIRECTOR

**ELECTRONIC TOLL LANES
CONTROL SYSTEMS
ETC GANTRY**

STANDARD DRAWING TITLE