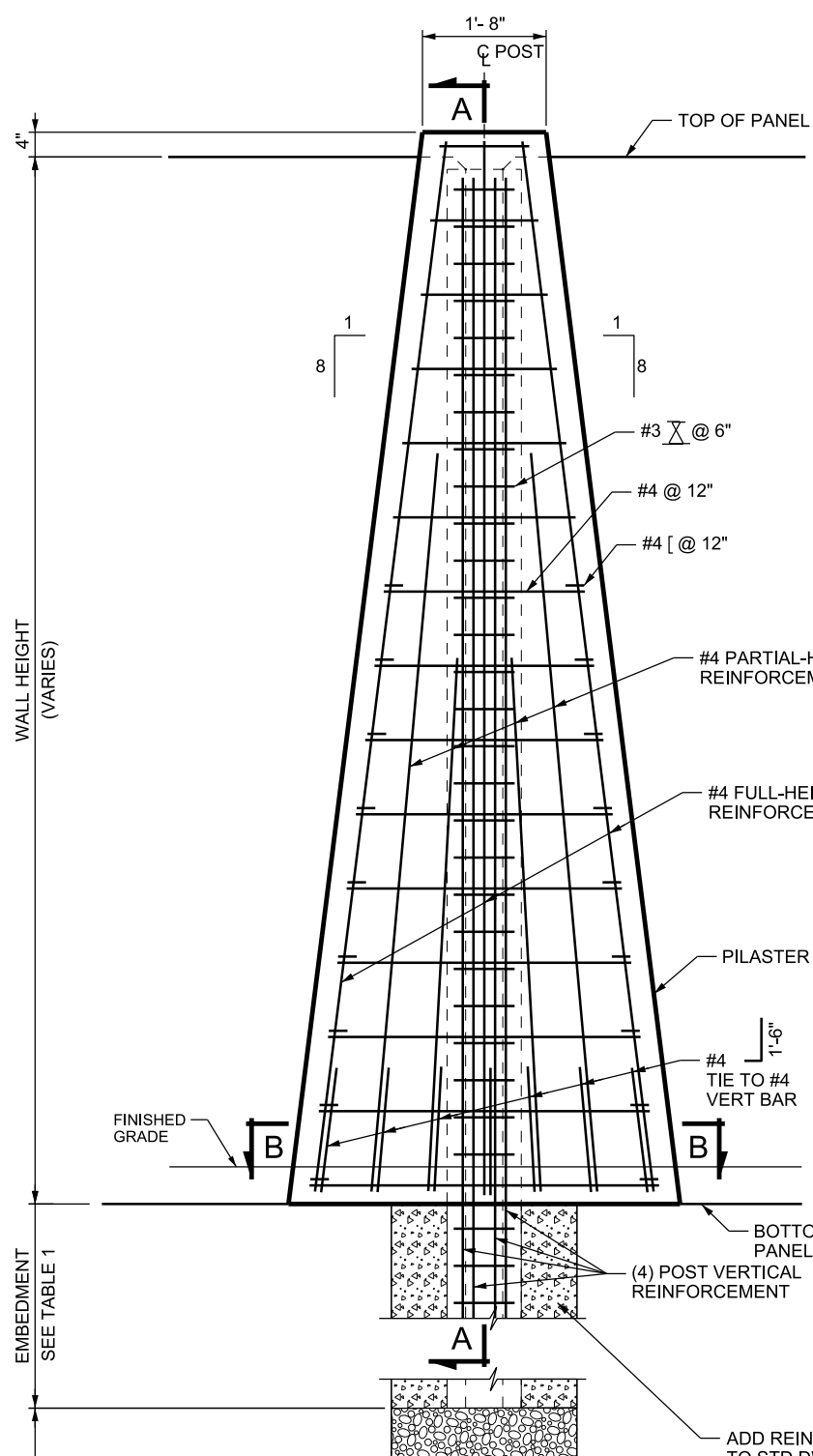
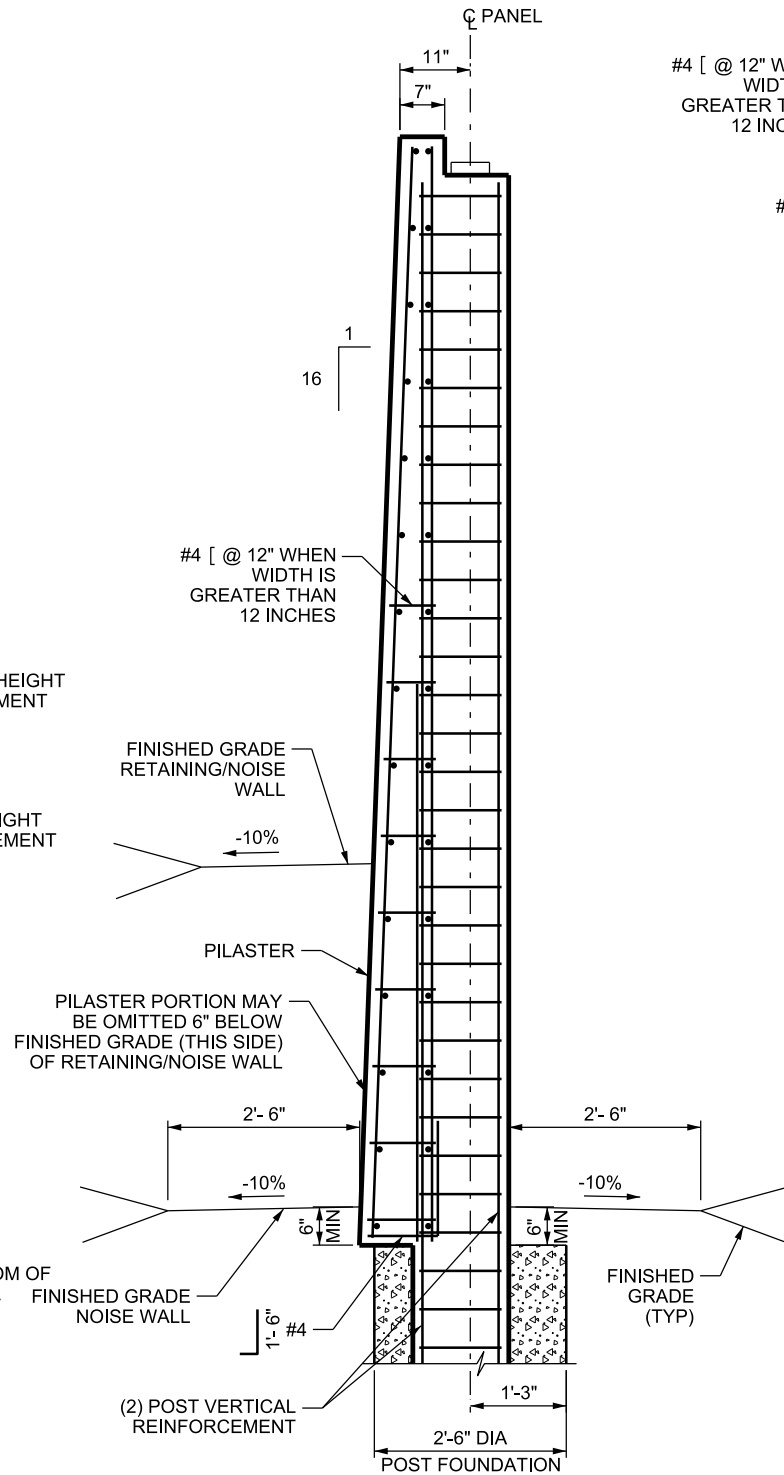


PLAN

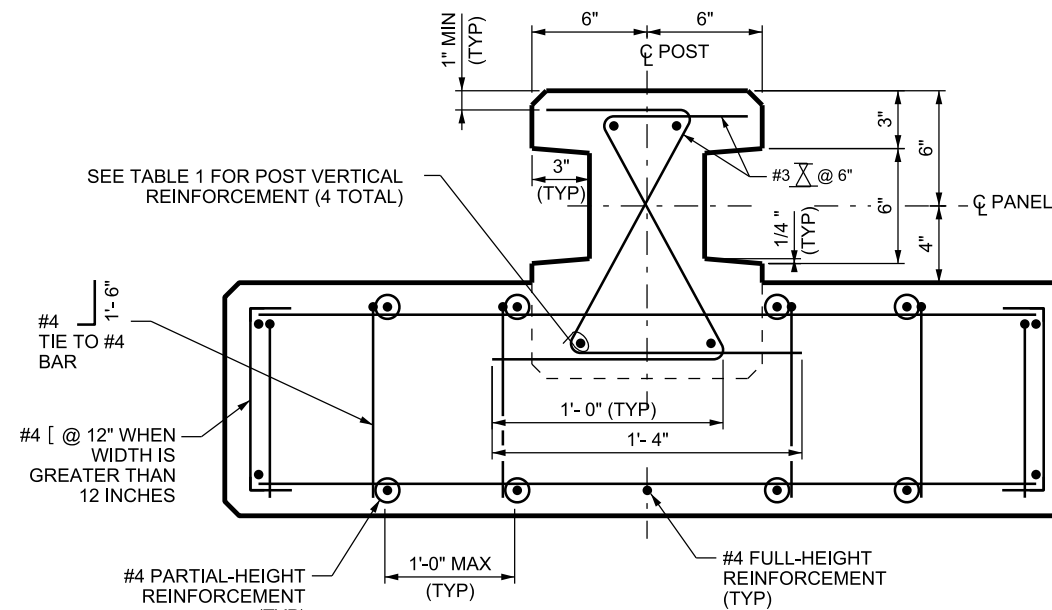


ELEVATION



SECTION A-A

RETAINED SOIL SHOWN ON PILASTER SIDE OF POST.
SOIL MAY ALSO BE RETAINED ON OPPOSITE SIDE OF POST.



SECTION B-B

TABLE 1 - NOISE WALL

WALL HEIGHT	POST	
	VERTICAL BAR SIZE	EMBEDMENT
≤ 6'-0"	#5	5'-6"
7'-0"	#5	6'-4"
8'-0"	#5	7'-3"
9'-0"	#5	8'-2"
10'-0"	#7	9'-0"
11'-0"	#7	9'-11"
12'-0"	#8	10'-10"
13'-0"	#8	11'-9"
14'-0"	#8	12'-8"
15'-0"	#10	13'-6"
16'-0"	#10	14'-5"
17'-0"	#10	15'-4"

TABLE 1 - RETAINING/NOISE WALL

WALL HEIGHT	POST	
	VERTICAL BAR SIZE	EMBEDMENT
≤ 7'-0"	#7	9'-0"
8'-0"	#7	9'-3"
9'-0"	#7	9'-6"
10'-0"	#7	9'-8"
11'-0"	#7	9'-11"
12'-0"	#8	10'-10"
13'-0"	#8	11'-9"
14'-0"	#8	12'-8"
15'-0"	#10	13'-6"
16'-0"	#10	14'-5"
17'-0"	#10	15'-4"
18'-0"	#11	16'-3"
19'-0"	#11	17'-2"

DESIGN DATA

AASHTO LRFD BRIDGE DESIGN SPECIFICATIONS

PRECAST PANELS & POSTS: CONCRETE CLASS AAA(AE) $f_c = 5,000$ psi;
 f_y (REINF) = 60,000 psi; $n=8$

POST HOLES: CONCRETE CLASS B $f_c = 2,500$ psi
 f_y (REINF) = 60,000 psi; $n=10$

NOTES

1. CHAMFER ALL EXPOSED CONCRETE CORNERS 3/4 INCH EXCEPT WHERE SPECIFIED OTHERWISE.
2. PROVIDE 2 INCH CONCRETE COVER TO REINFORCING STEEL EXCEPT WHERE SPECIFIED OTHERWISE.
3. ALL EXPOSED SURFACES TO HAVE A SMOOTH SURFACE FINISH.
4. DO NOT PLACE PILASTERS ON WALLS GREATER THAN 19 FT HIGH.
5. EVENLY SPACE PILASTER POSTS AT 200 FT MAXIMUM INTERVALS. SEE CONTRACT DOCUMENTS FOR EXACT LOCATIONS.
6. PLACE PILASTER ON HIGHWAY SIDE OF NOISE WALLS.
7. PLACE PILASTER ON HIGHWAY SIDE OF RETAINING/NOISE WALLS.
8. PLACE 1 FT WIDE DRAINAGE GEOTEXTILE ALONG JOINT BETWEEN PILASTER AND PANEL (2 LOCATIONS PER PILASTER) FROM THE TOP OF FINISHED GRADE TO THE BOTTOM OF RETAINING PANEL WHEN PILASTER IS ON EMBANKMENT SIDE OF RETAINING/NOISE WALLS. WRAP FREE DRAINING GRANULAR BACKFILL AROUND PILASTER.

REVISIONS

NO.	DATE	APPR.	REVISED CONCRETE CLASS	REMARKS
1	06/28/2018	RDC		

UTAH DEPARTMENT OF TRANSPORTATION
STANDARD DRAWINGS FOR ROAD AND BRIDGE CONSTRUCTION
SALT LAKE CITY, UTAH

RECOMMENDED FOR APPROVAL
Randy L. ...
CHAIRMAN STANDARDS COMMITTEE
APPROVED
DEPUTY DIRECTOR

PRECAST PILASTER POST

STD. DWG. NO.
SW 5