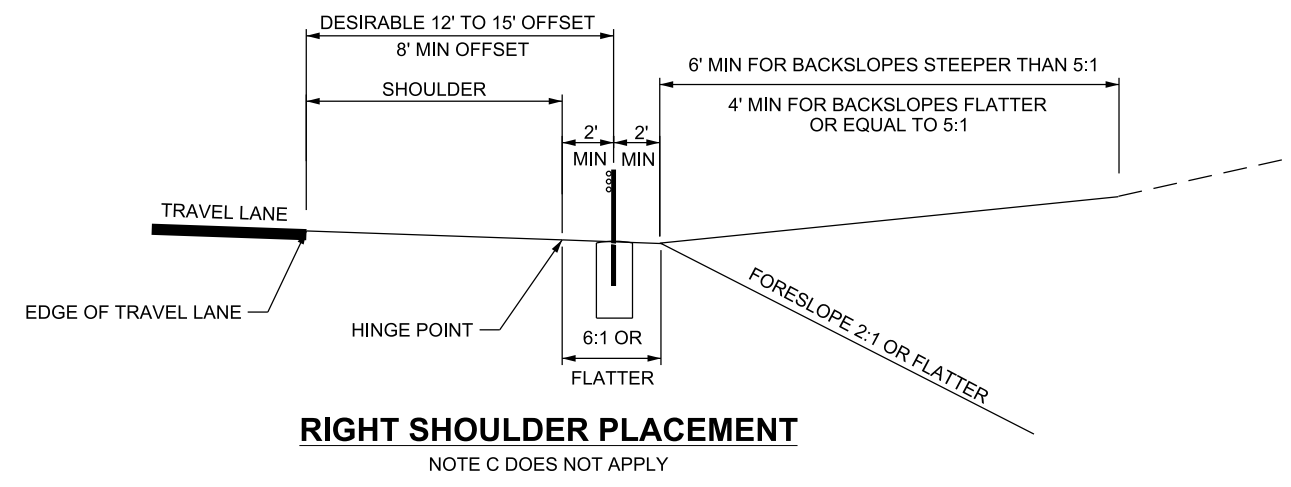
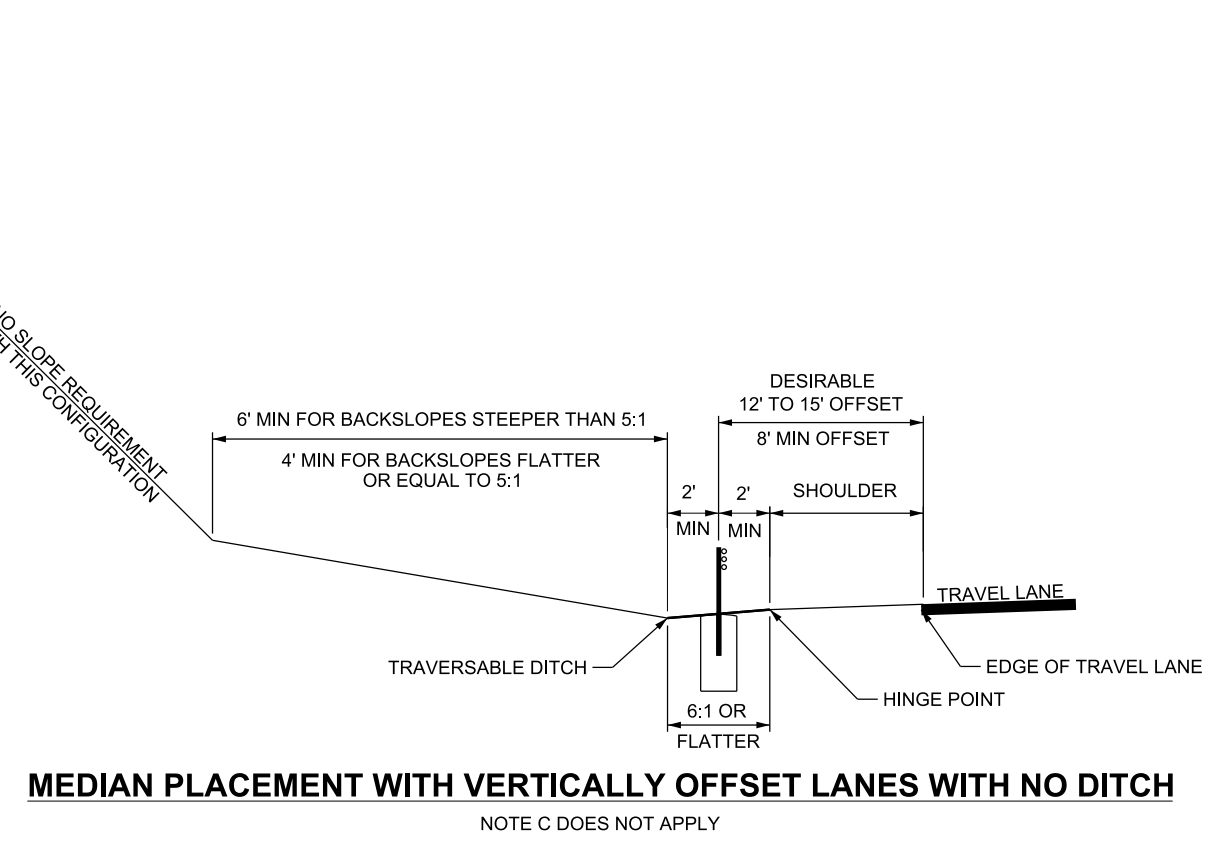
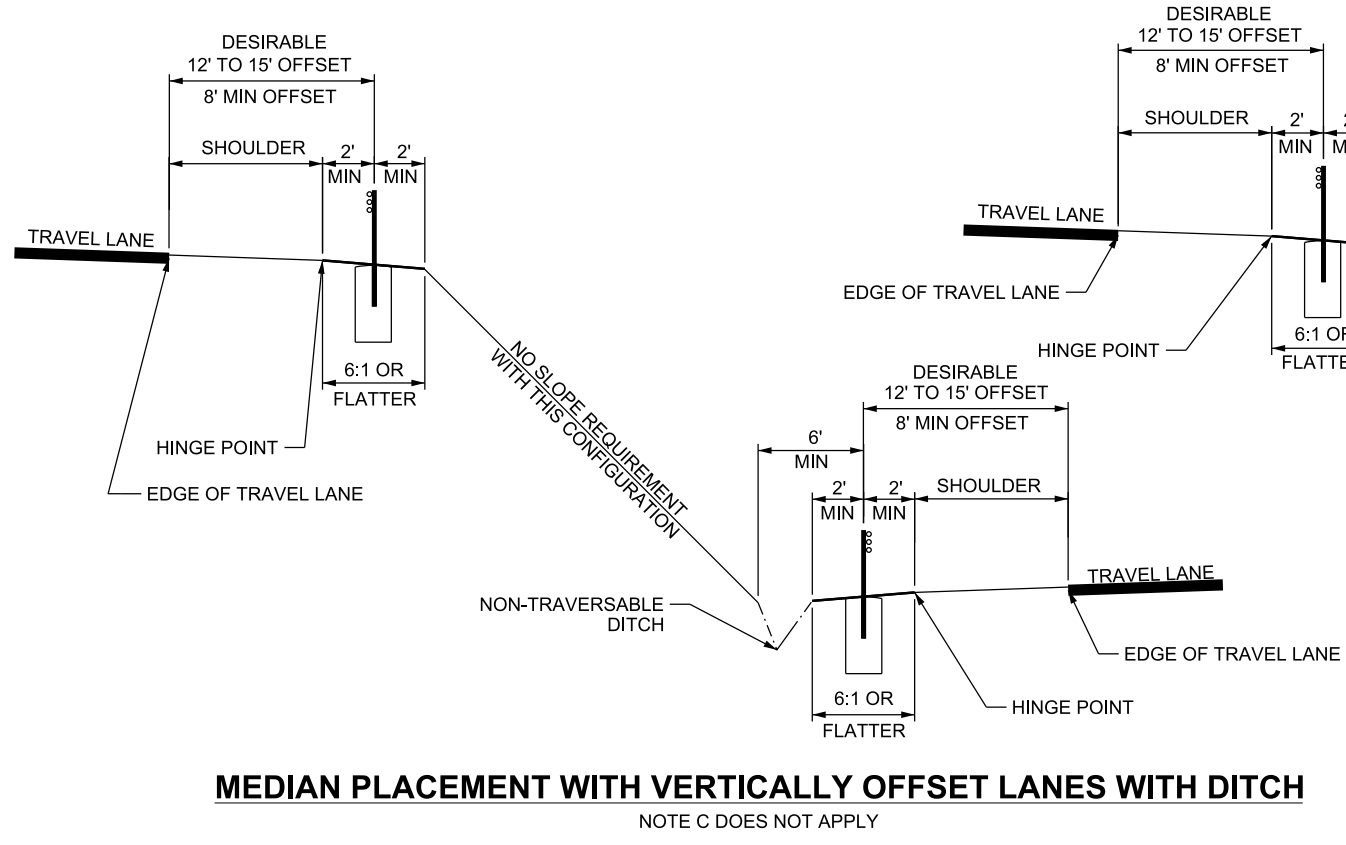
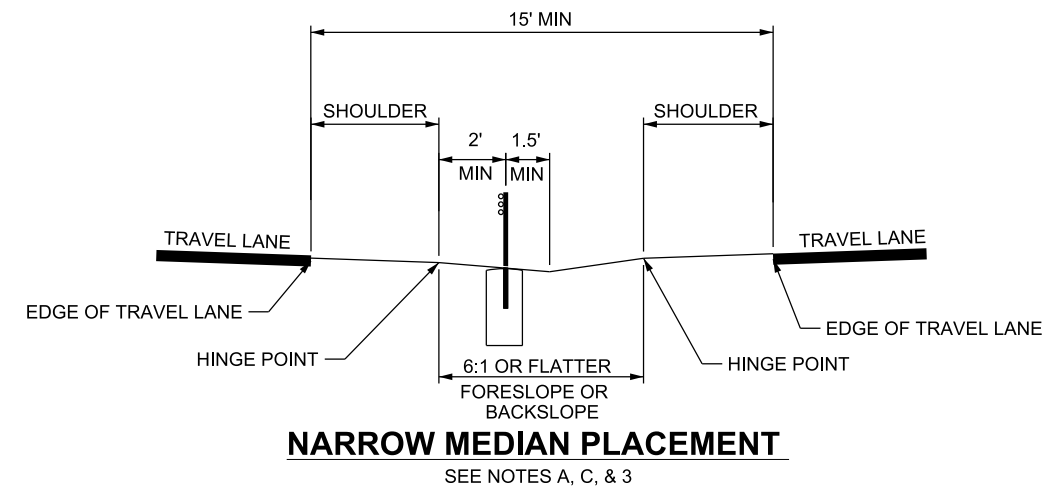


12-SEP-2018 DGN File: D:\StandardSpec\Section\2017\Section\All_Supp_Issues\Issue 6 08-30-2018\Drawings\BA05B2.dgn



DESIGN-ONLY NOTES:

- A. PLACE CABLE 12 FT TO 15 FT FROM EDGE OF TRAVEL LANE UNLESS THE 8 FT MIN OFF SET FROM DITCH BOTTOM IS NOT OBTAINED; OTHERWISE, PLACE CABLE 1.5 FT OFFSET FROM DITCH BOTTOM OR 8 FT OFFSET FROM EDGE OF TRAVEL LANE THROUGH THE REGION TRAFFIC ENGINEER'S APPROVAL.
- B. DETAILS DEPICT MAIN RUNS OF CABLE BARRIER. SEE ANCHOR DETAILS FOR PLACEMENT OF ANCHOR SYSTEMS.
- C. DO NOT USE IN MEDIANS LESS THAN 15 FT WIDE MEASURED FROM EDGE OF TRAVEL LANE TO EDGE OF TRAVEL LANE.

NOTES:

- 1. FLARE RATE: FLATTER OR EQUAL TO 30:1 DESIRABLE, 20:1 MINIMUM ACCEPTABLE.
- 2. SEE STD DWG BA 5B1 FOR TYPICAL POST SPACING REQUIREMENTS.
- 3. USE 5 FT POST SPACING WHEN:
 - A. MEDIAN WIDTH IS GREATER THAN 15 FT BUT LESS THAN 20 FT.
 - B. CABLE IS OFFSET LESS THAN 8 FT FROM ANY TRAVEL LANE.
- 4. REFER TO THE ROADSIDE DESIGN GUIDE CHAPTER 6 FOR DETERMINING THE PLACEMENT OF BARRIER IN NON-LEVEL MEDIANS. SEE THE UDOT ROADWAY DESIGN MANUAL FOR MEDIAN AND SHOULDER SLOPE REQUIREMENTS.

SUPPLEMENTAL DRAWING

REVISIONS

| NO. | DATE | APPR. | REMARKS |
|-----|------|-------|---------|
| | | | |
| | | | |
| | | | |
| | | | |
| | | | |
| | | | |
| | | | |
| | | | |
| | | | |
| | | | |

UTAH DEPARTMENT OF TRANSPORTATION
STANDARD DRAWINGS FOR ROAD AND BRIDGE CONSTRUCTION
SALT LAKE CITY, UTAH

RECOMMENDED FOR APPROVAL
Randy J. Ford
CHAIRMAN STANDARDS COMMITTEE
APPROVED

AUG 30, 2018
DATE

AUG 30, 2018
DATE

DEPUTY DIRECTOR

**CABLE BARRIER
PLACEMENT**

STD. DWG. NO.
BA 5B2

STANDARD DRAWING TITLE