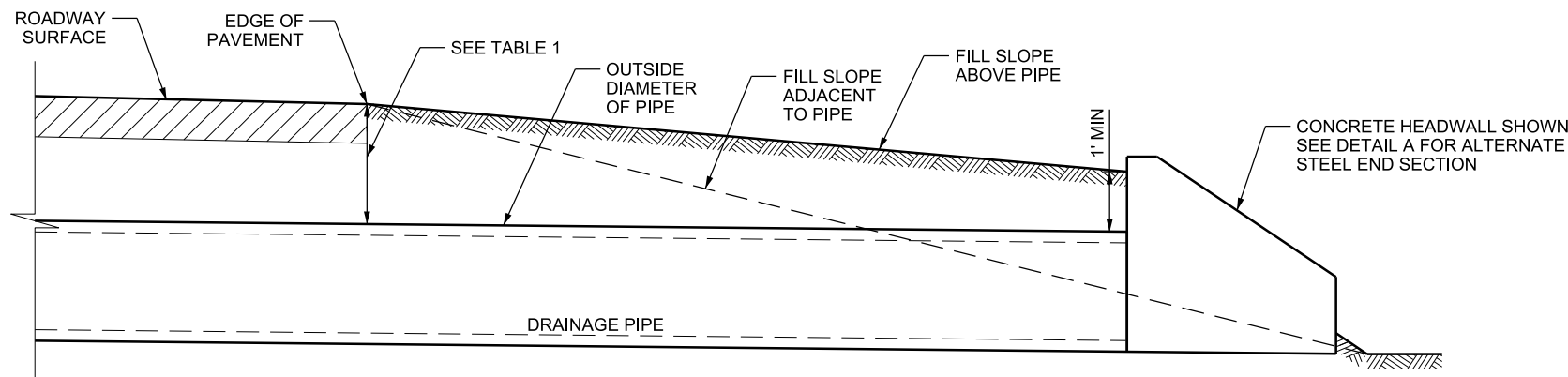
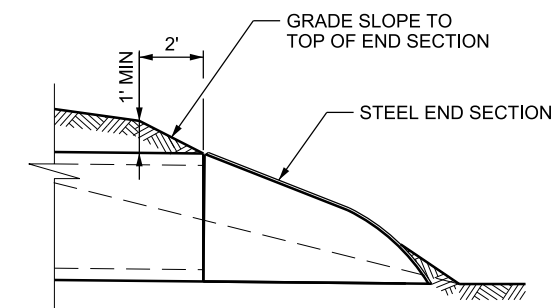


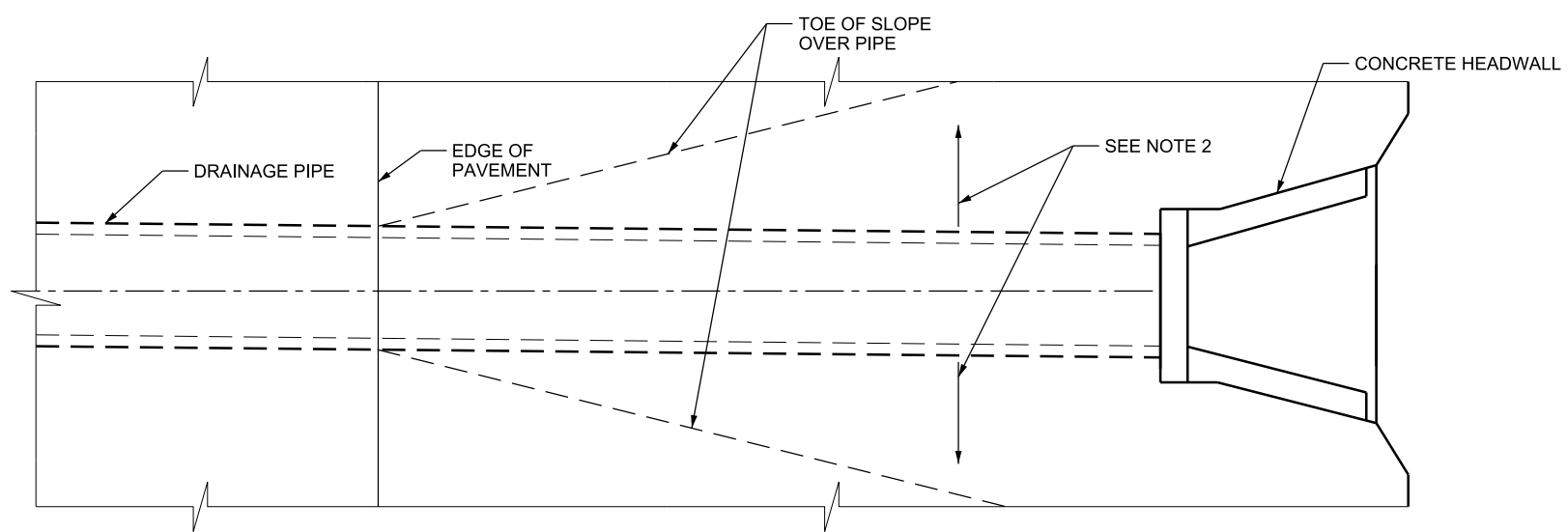
12-SEP-2018 DGN File: D:\Standards\Specs\Section\207\Section\11\_Supp\_Issues\Issue 6 08-30-2018\Drawings\DG04.dgn



**ELEVATION**



**DETAIL A**



**PLAN**

**TABLE 1. MINIMUM PIPE FILL HEIGHT UNDER ROADWAY SURFACE**

ROADWAY SURFACE TYPE	PIPE TYPE		
	CIRCULAR AND ELLIPTICAL REINFORCED CONCRETE	CIRCULAR THERMOPLASTIC *	CIRCULAR AND ARCH CORRUGATED STEEL
FLEXIBLE PAVEMENT OR UNPAVED	1' - 6"	2'	2'
RIGID PAVEMENT	1' - 6"	1' - 6"	1' - 6"

\* MINIMUM FILL HEIGHT FOR THERMOPLASTIC PIPE LARGER THAN 48 INCH DIAMETER IS HALF THE PIPE DIAMETER (D/2).

**NOTES:**

1. MINIMUM FILL HEIGHT IS ADEQUATE ONLY FOR FINISHED CONSTRUCTION. PROVIDE ADEQUATE COVER TO PROTECT PIPE FROM DAMAGE DURING CONSTRUCTION.
2. GRADE FILL SLOPES OVER THE PIPE TO MEET CLEAR ZONE REQUIREMENTS OR NO STEEPER THAN 4:1 (H:V).

REVISIONS	
NO.	REMARKS
1	8/30/2018 JOE REMOVED DESIGN INFORMATION FROM THE DRAWING.

**UTAH DEPARTMENT OF TRANSPORTATION**  
 STANDARD DRAWINGS FOR ROAD AND BRIDGE CONSTRUCTION  
 SALT LAKE CITY, UTAH

RECOMMENDED FOR APPROVAL  
*Randy J. Park*  
 CHAIRMAN STANDARDS COMMITTEE  
 APPROVED

DATE: AUG.30.2018  
 DEPUTY DIRECTOR

**MINIMUM FILL HEIGHT FOR DRAINAGE PIPE**

STANDARD DRAWING TITLE