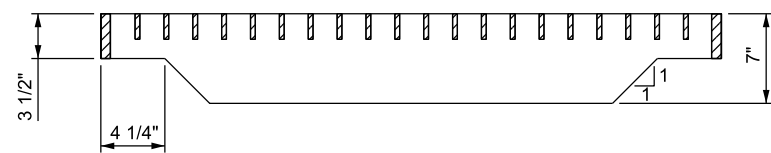
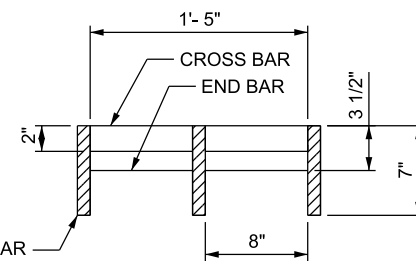


PLAN



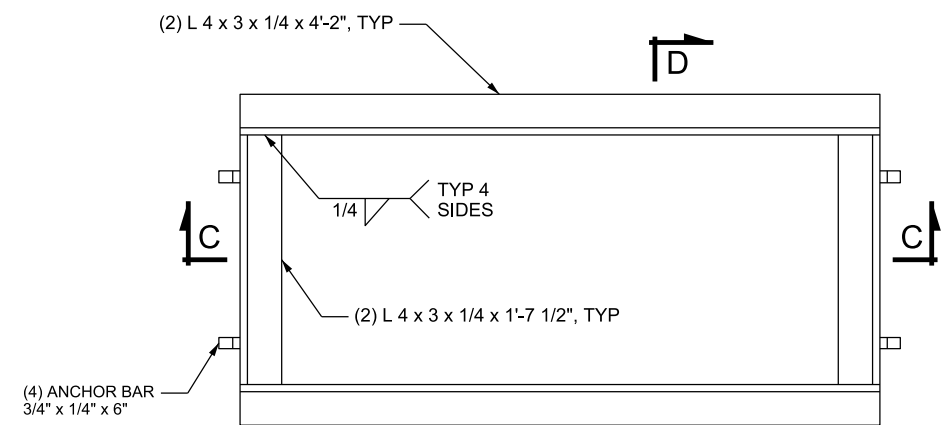
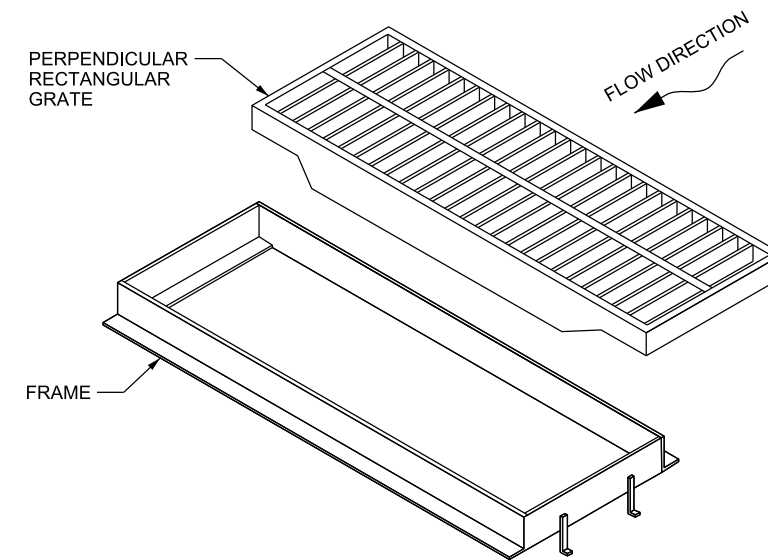
SECTION A-A



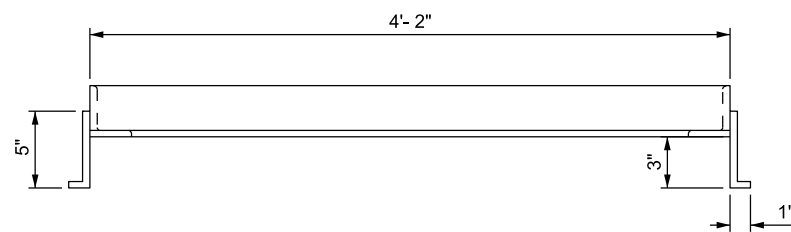
SECTION B-B

PERPENDICULAR RECTANGULAR GRATE

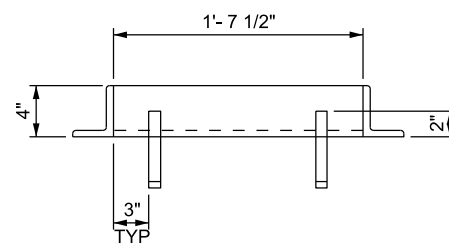
WEIGHT: 341 LB
OPEN AREA: 4.39 FT²



PLAN



SECTION C-C



SECTION D-D

FRAME

WEIGHT: 68 LB

DESIGN DATA

HL-93 IN ACCORDANCE WITH AASHTO LRFD BRIDGE DESIGN AND INTERIM SPECIFICATIONS

STRUCTURAL STEEL: $F_y = 36,000$ psi

NOTES

1. FURNISH RECTANGULAR GRATE AND FRAME IN STRUCTURAL STEEL.
2. WELD ALL JOINTS WITH A 1/4 INCH FILLET WELD UNLESS NOTED OTHERWISE.

SUPPLEMENTAL DRAWING

REVISIONS			
NO.	DATE	APPR.	REMARKS
1	8/30/2018	JGE	REMOVED DESIGN INFORMATION FROM THE DRAWING.

UTAH DEPARTMENT OF TRANSPORTATION
STANDARD DRAWINGS FOR ROAD AND BRIDGE CONSTRUCTION
SALT LAKE CITY, UTAH

RECOMMENDED FOR APPROVAL
Handwritten Signature
CHAIRMAN STANDARDS COMMITTEE
APPROVED
DATE: AUG.30, 2018
DEPUTY DIRECTOR

PERPENDICULAR RECTANGULAR GRATE AND FRAME

STANDARD DRAWING TITLE

STD. DWG. NO.

GF 2