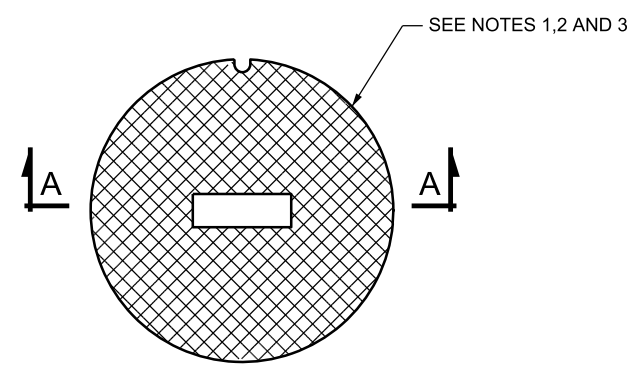
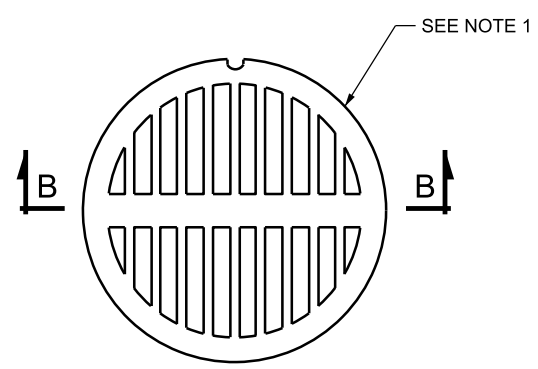


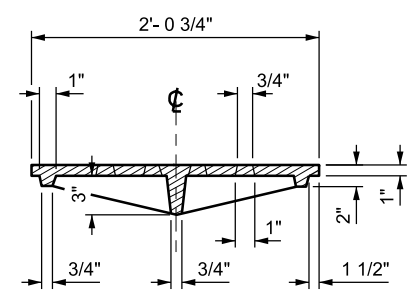
12-SEP-2018 DGN File: D:\StandardSpec\Section\207\Section\All_Supp_Issues\Issue 6 08-30-2018\Drawings\GF07.dgn



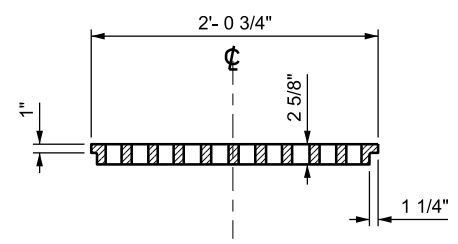
SOLID



GRATED

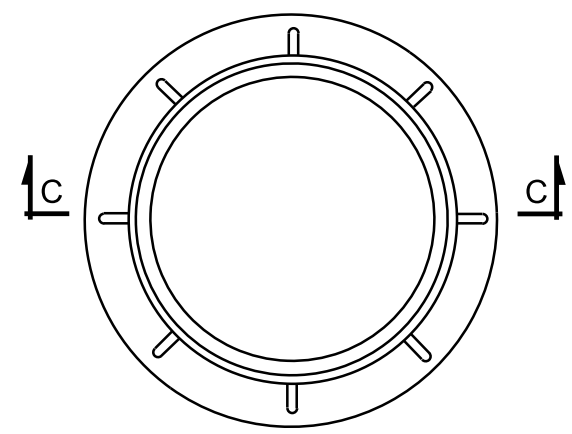


SECTION A-A

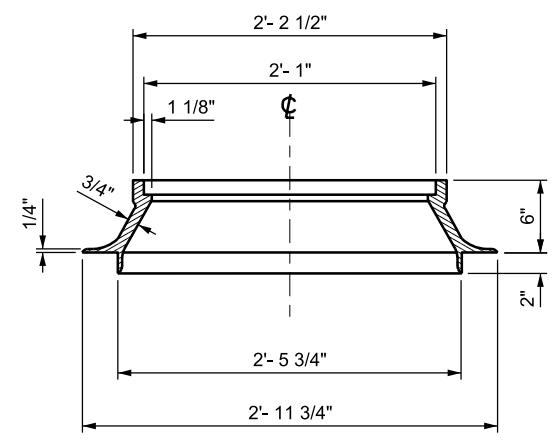


SECTION B-B

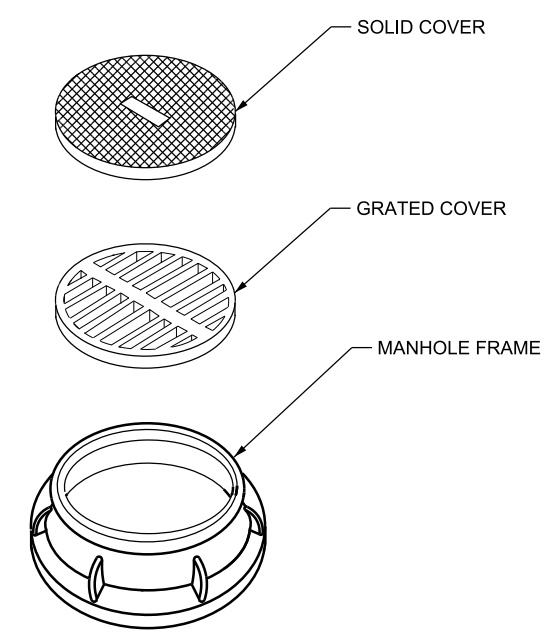
MANHOLE COVER



FRAME PLAN



SECTION C-C



NOTES

1. FURNISH MANHOLE COVER AND FRAME IN EITHER GREY IRON OR DUCTILE IRON.
2. CAST A NON-SLIP AND NON-TRIP SURFACE INTO THE SOLID COVER.
3. CAST THE TYPE OF UTILITY INTO THE SOLID COVER ("STORM DRAIN", "SEWER", "WATER", FOR EXAMPLE)
4. DIMENSIONS OF THE GRATE OPENINGS MAY VARY DUE TO DIFFERENT MANUFACTURER'S CONFIGURATIONS.
5. ESTIMATED WEIGHT OF SOLID COVER AND FRAME 402 LB.
6. ESTIMATED WEIGHT OF GRATED COVER AND FRAME 385 LB.

SUPPLEMENTAL DRAWING

REVISIONS		NO.	DATE	APPR.	REMARKS
1	8/30/2018	JGE			CORRECTED LEADER NOTE REFERENCES.

UTAH DEPARTMENT OF TRANSPORTATION
 STANDARD DRAWINGS FOR ROAD AND BRIDGE CONSTRUCTION
 SALT LAKE COUNTY, UTAH

RECOMMENDED FOR APPROVAL
Randy L. York
 CHAIRMAN STANDARDS COMMITTEE
 APPROVED

DEPUTY DIRECTOR

DATE: AUG.30, 2018

MANHOLE COVER AND FRAME

STANDARD DRAWING TITLE

STD. DWG. NO.
GF 7