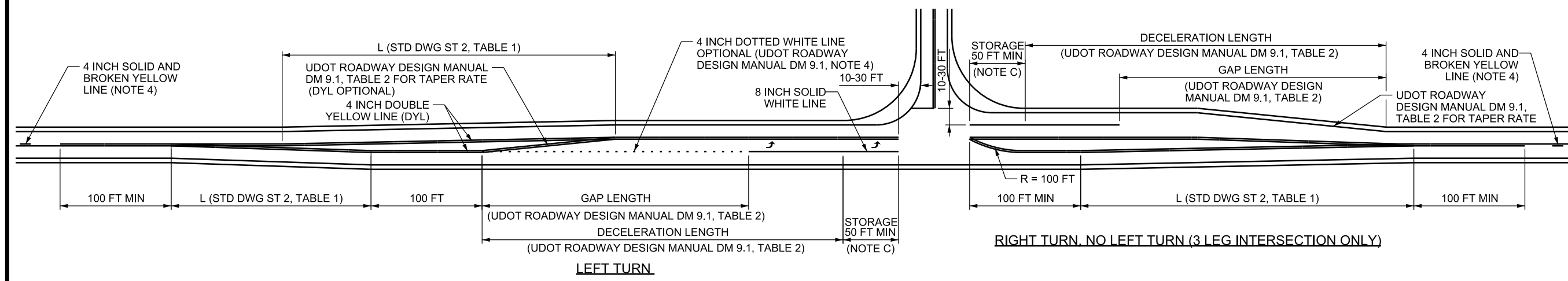


12-SEP-2018 DGN File: D:\StandardSpec\Section\2017\Section\All\_Supp\_Issues\Issue 6 08-30-2018\Drawings\ST14.dgn



**RIGHT TURN, NO LEFT TURN (3 LEG INTERSECTION ONLY)**

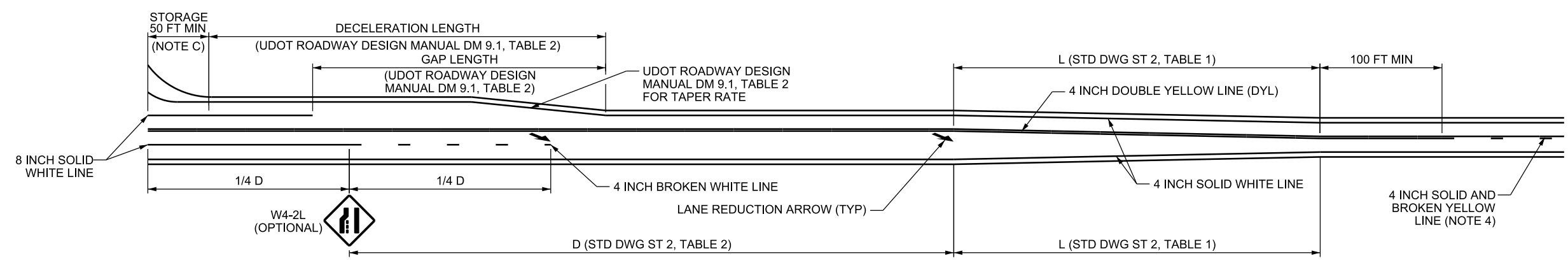


TABLE 1				
MINIMUM LEVELS FOR INSTALLATION OF TURN AND ACCELERATION LANES ON TWO LANE ROADS				
SPEED	LEFT TURN LANE	RIGHT TURN LANE	LEFT TURN ACCELERATION LANE	RIGHT TURN ACCELERATION LANE
40 MPH AND LESS	25 VPH	50 VPH	*	*
45 TO 55 MPH	10 VPH	25 VPH	*	50 VPH
60 MPH AND GREATER	5 VPH	10 VPH	**	25 VPH

\* OPTIONAL FOR 50 MPH AND LESS. FOR 55 MPH, AS REQUIRED BY THE REGION TRAFFIC ENGINEER.  
 \*\* AS REQUIRED BY THE REGION TRAFFIC ENGINEER.  
 VPH= VEHICLES PER HOUR IN ANY ONE HOUR PERIOD IN PASSENGER CAR EQUIVALENTS.

**DESIGN NOTES:**

- A. USE THE AASHTO A POLICY ON GEOMETRIC DESIGN OF HIGHWAYS AND STREETS AND THE UTAH MANUAL ON UNIFORM TRAFFIC CONTROL DEVICES (MUTCD) FOR DESIGN OF ROADWAY ELEMENTS NOT SHOWN.
- B. CONFIGURATIONS SHOWN MAY VARY BASED ON LOCATION OF WIDENING (EQUAL WIDENING TO BOTH SIDES AS OPPOSED TO ONE SIDE OF THE EXISTING ROAD OR ANOTHER, FOR EXAMPLE).
- C. INCREASE VEHICLE STORAGE LENGTH AS DETERMINED BY ENGINEERING STUDY OR REGION TRAFFIC ENGINEER.
- D. DESIGN ALL EDGES OF PAVEMENT AND STOP LINE / RAISED MEDIAN OFFSETS FOR DESIGN VEHICLE (WB-67, UNLESS APPROVED BY REGION TRAFFIC ENGINEER). DESIGN STRIPING FOR STANDARD (P) DESIGN VEHICLES.

**NOTES:**

1. MATCH THE EXISTING OUTSIDE SHOULDER WIDTH (4 FT MIN) FOR ACCELERATION AND DECELERATION LANES (INCLUDING TAPERS). USE TABLE 1 ON UDOT ROADWAY DESIGN MANUAL DM 9.1 FOR ALL OTHER SHOULDER WIDTHS.
2. PROVIDE A TWO-WAY LEFT TURN LANE CONNECTING ADJACENT ACCESS POINTS WHEN THEIR TAPERS OVERLAP, OR AS DIRECTED BY THE REGION TRAFFIC ENGINEER.
3. PLACE RIGHT TURN ARROWS AND "ONLY" MARKINGS WHEN AN OPPOSING RIGHT TURN ACCELERATION OR A MANDATORY LANE DROP IS USED. SEE STD DWG ST 6 FOR PAVEMENT MESSAGE PLACEMENT.
4. PLACE PASSING ZONE STRIPING PER STD DWG ST 1 AND ST 2.

**SUPPLEMENTAL DRAWING**

REVISIONS

NO.	DATE	APPR.	REMARKS

**UTAH DEPARTMENT OF TRANSPORTATION**  
 STANDARD DRAWINGS FOR ROAD AND BRIDGE CONSTRUCTION  
 SALT LAKE CITY, UTAH

RECOMMENDED FOR APPROVAL  
*Randy R. ...*  
 CHAIRMAN STANDARDS COMMITTEE  
 APPROVED

DEPUTY DIRECTOR  
*[Signature]*

DATE  
 AUG 30, 2018

**TWO-LANE INTERSECTION PAVEMENT MARKINGS (SHEET 2 OF 2)**

STD. DWG. NO.  
**ST 14**

STANDARD DRAWING TITLE