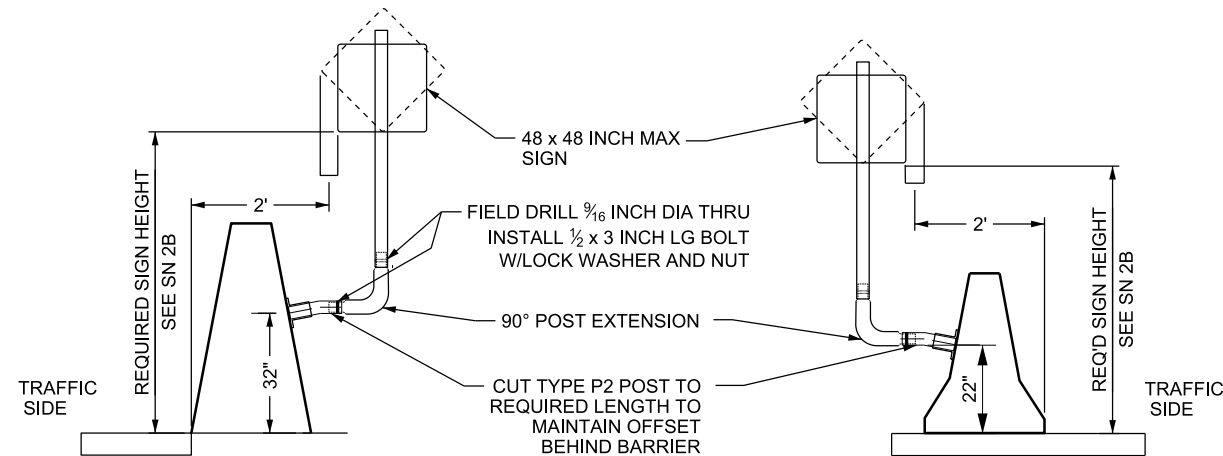
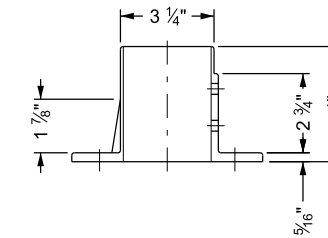
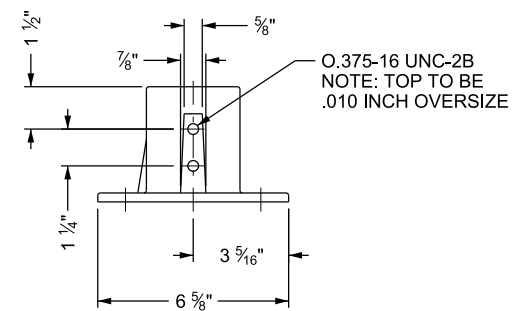
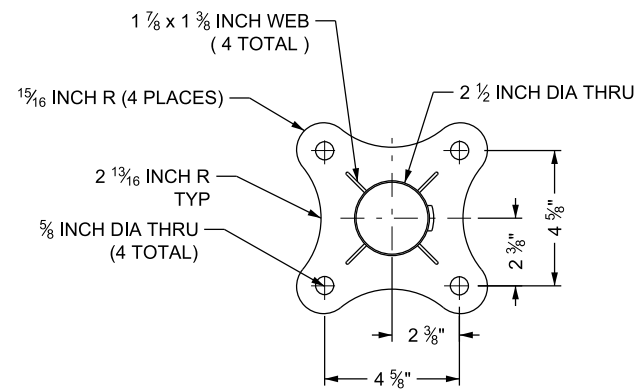


**BASE CASTING**

ASTM A 536 65-45-12  
DUCTILE IRON  
SEE NOTE A

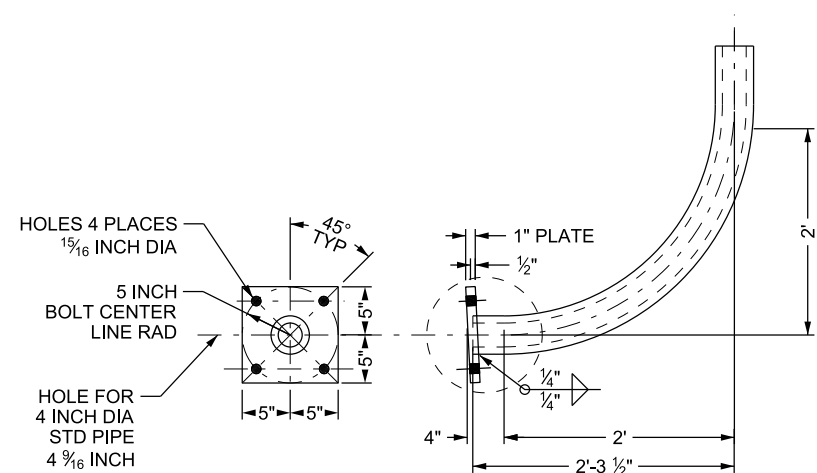


HORIZONTAL INSTALLATION NOTE: USE A 90 DEGREE POST EXTENSION WHEN MOUNTED HORIZONTALLY. REFER TO STD DWG SN 9A FOR POST EXTENSION REQUIREMENTS. FORM SIGN SUPPORT SYSTEM SO SIGN POST IS PLUMB.

**HORIZONTAL INSTALLATION**

MOUNTING HARDWARE:  
4- EACH 1/2 x 4 INCH MECHANICAL WEDGE ANCHORS.  
4- EACH 1/2 INCH FLAT WASHERS  
4- EACH 1/2 INCH LOCK WASHERS  
4- EACH 1/2 INCH NUTS  
2- EACH BEVELED WASHERS. REQUIRED FOR HORIZONTAL MOUNTING ONLY.  
ALL HARDWARE WILL BE GALVANIZED OR ZINC PLATED.

INSTALLATION REQUIREMENTS:  
DRILL: 4 - 1/2 INCH HOLES 4 1/2 INCHES DEEP,  
CLEAN HOLE PRIOR TO INSTALLING ANCHORS



**SIDE MOUNTED BARRIER BASE**

**TUBULAR STEEL SIGN BASE SURFACE MOUNT (B4B)  
FOR 2 3/8 INCH DIAMETER POSTS (P1 OR P2 POSTS)**

**NOTES:**

- 1. USE P1 OR P2 POST. REFER TO STD DWG SN 11A.

**DESIGN-ONLY NOTES:**

- A. USE BASE CASTING INSTALLATION ONLY ON ROADS WITH POSTED SPEED OF 45 MPH OR LOWER AND ONLY IN RETROFIT INSTALLATIONS AS DIRECTED BY THE REGION TRAFFIC ENGINEER.

**SUPPLEMENTAL DRAWING**

REVISIONS	
NO.	DATE
1	2/22/18
	CGW
	APPR.

**UTAH DEPARTMENT OF TRANSPORTATION**  
STANDARD DRAWINGS FOR ROAD AND BRIDGE CONSTRUCTION  
SALT LAKE CITY, UTAH

RECOMMENDED FOR APPROVAL  
*Randall A. [Signature]*  
CHAIRMAN STANDARDS COMMITTEE

APPROVED  
*[Signature]*  
DEPUTY DIRECTOR

DATE: FEB. 22, 2018  
DATE: FEB. 22, 2018

**SIDE MOUNTED TUBULAR STEEL SIGN BASE (B4B)**

STANDARD DRAWING TITLE

STD. DWG. NO.  
**SN 13**