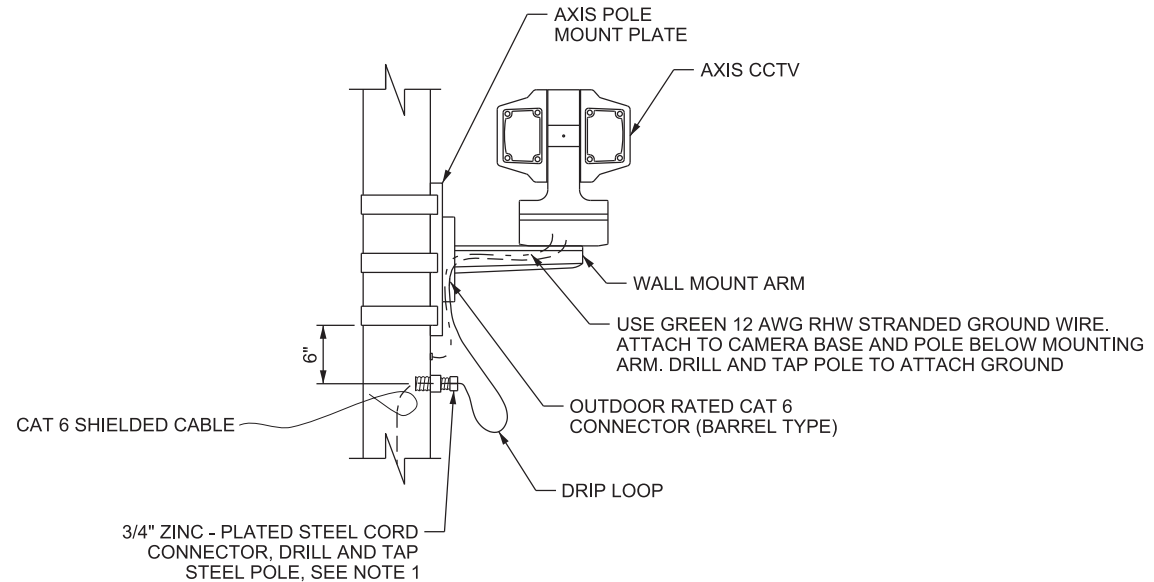
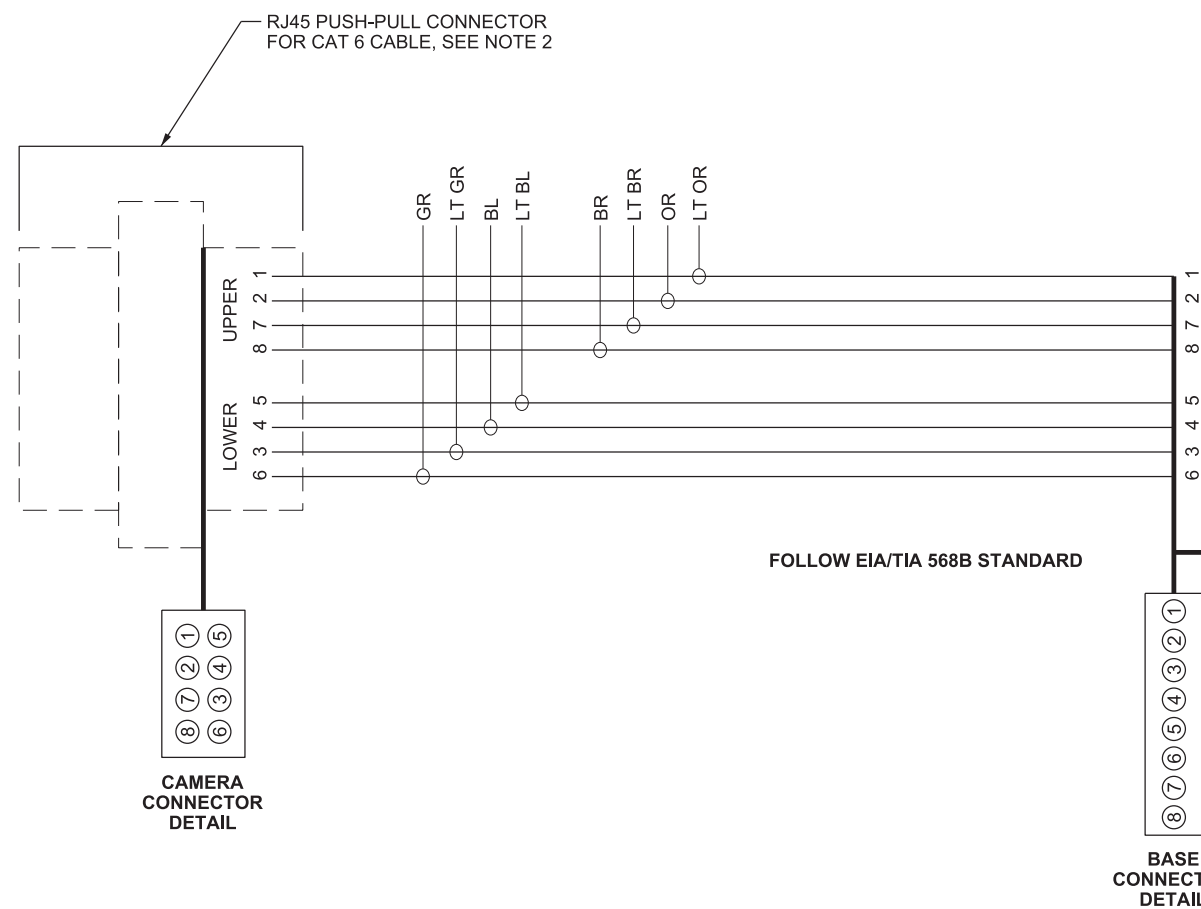


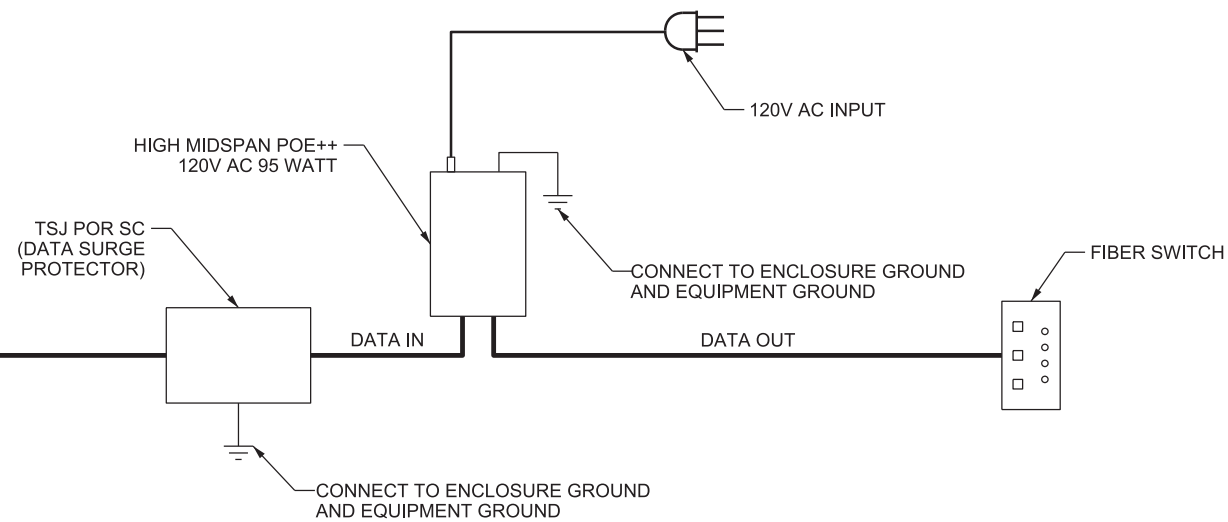
**A MOUNTING DETAIL  
PEDESTAL MOUNTED AXIS CCTV**



**B MOUNTING DETAIL  
POLE MOUNTED AXIS CCTV**



**C WIRING DIAGRAM  
AXIS CAMERA**



**NOTES:**

1. SUPPLY AND INSTALL LIQUID TIGHT CORD CONNECTOR. SIZE APPROPRIATELY FOR WIRE DIAMETER.
2. USE VENDOR SUPPLIED RJ45 PUSH-PULL CONNECTOR FOR CAMERA TERMINATION.
3. TIE CABLE TO GROUND THROUGH CAT 6 SHIELDED CONNECTOR.

SUPPLEMENTAL DRAWING

NO.	DATE	APPR.	REMARKS
1	8/29/19	MMA	REPLACED ENTIRE DRAWING WITH NEW CAMERA TYPE

UTAH DEPARTMENT OF TRANSPORTATION STANDARD DRAWINGS FOR ROAD AND BRIDGE CONSTRUCTION SALT LAKE CITY, UTAH	
RECOMMENDED FOR APPROVAL	DATE
CHAIRMAN STANDARDS COMMITTEE	AUG. 29, 2019
APPROVED	DATE
DEPUTY DIRECTOR	AUG. 29, 2019

AXIS CCTV  
MOUNTING DETAIL  
AND WIRING DIAGRAM

STANDARD DRAWING TITLE

STD. DWG. NO.  
AT 10A