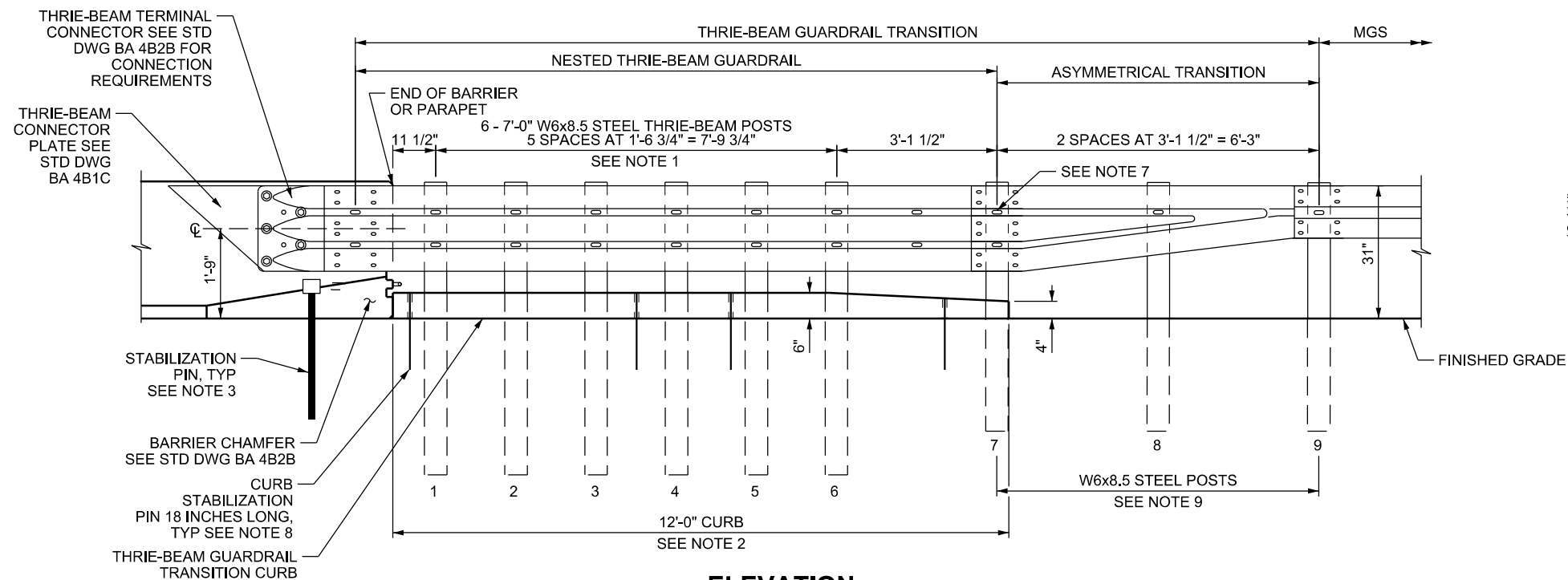
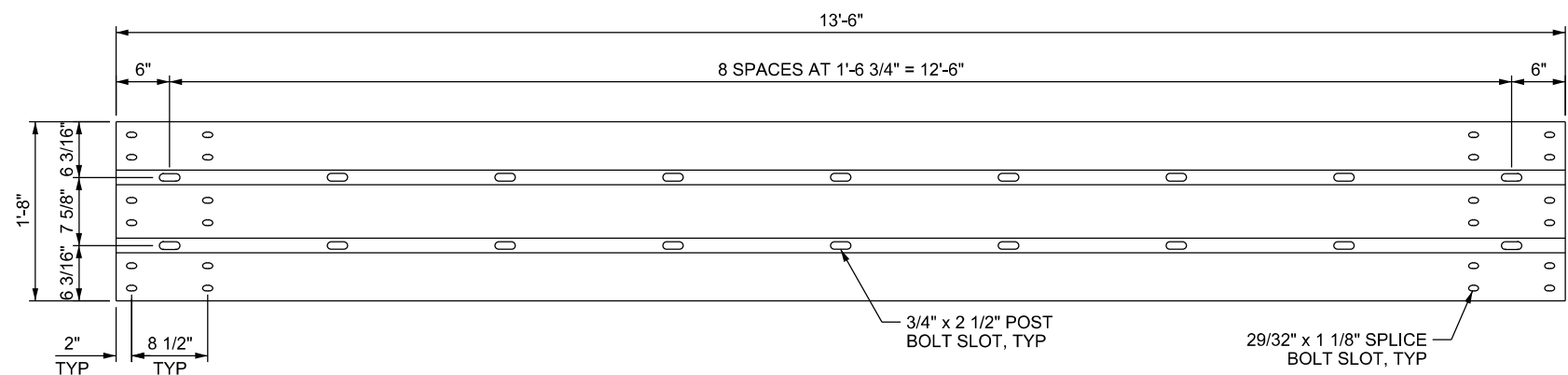


06-MAY-2020 D:\NLS\Standard Drawings\Imperial\2017 Approved\Suppl\3 Issued\Suppl\3 Approved Apr-1 - 2020\Backup\BA04B1A.dgn



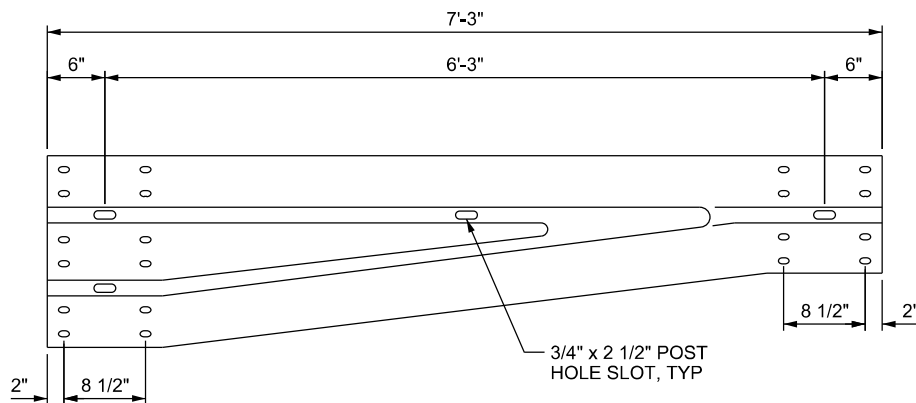
ELEVATION

RIGHT SIDE SHOWN LEFT SIDE SIMILAR



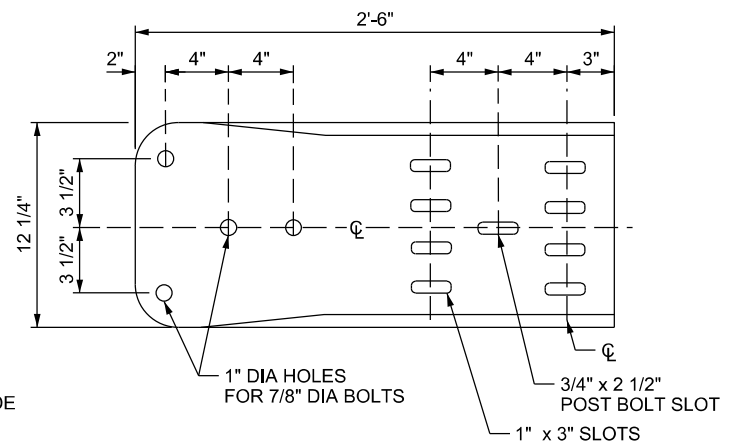
8-SPACE THRIE-BEAM GUARDRAIL

SEE NOTE 4

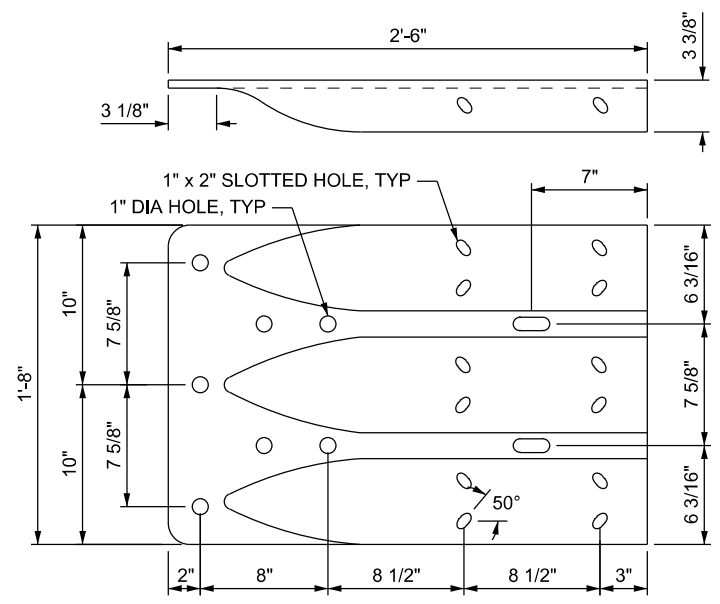


ASYMMETRICAL W-BEAM TO THRIE-BEAM TRANSITION

SEE NOTE 6



TERMINAL CONNECTOR PLATE



THRIE-BEAM TERMINAL CONNECTOR

SEE NOTE 5

- NOTES:**
1. COMPLETE SITE PREPARATION BEFORE INSTALLING TRANSITION.
 2. REFER TO BA 4B1B FOR POST 1 THRU 6 DETAIL AND CURB REQUIREMENTS.
 3. INSTALL BARRIER STABILIZATION PINS ACCORDING TO STD DWG BA 1A2 AND BA 1F1 BEFORE INSTALLING THRIE-BEAM CONNECTOR PLATE.
 4. USE 12 GAUGE 8-SPACE THRIE-BEAM GUARDRAIL ACCORDING TO TASK FORCE 13 REPORT, RTM08A.
 5. USE 10 GAUGE THRIE-BEAM TERMINAL CONNECTOR ACCORDING TO TASK FORCE 13 REPORT, RTE01B.
 6. USE 10 GAUGE ASYMMETRICAL W-BEAM TO THRIE-BEAM TRANSITION ACCORDING TO TASK FORCE 13 REPORT, RWT02A.
 7. USE ONE BOLT TO CONNECT THE ASYMMETRICAL W-BEAM TO THRIE-BEAM TRANSITION TO THE STEEL POST 7. USE THE TOP SLOT ONLY.
 8. USE CURB STABILIZATION PINS, #5 REINFORCING STEEL ACCORDING TO AASHTO M31 GRADE 60. DRIVE CURB STABILIZATION PINS FLUSH WITH TOP OF CURB.
 9. SEE STD DWG BA 4A FOR W6x8.5 STEEL POST DETAILS FOR POST 7 THRU 9.

REVISIONS		NO.	DATE	APPR.	REMARKS
1	04/30/20	SDD	NEW DRAWING.		

UTAH DEPARTMENT OF TRANSPORTATION
STANDARD DRAWINGS FOR ROAD AND BRIDGE CONSTRUCTION
SALT LAKE CITY, UTAH

RECOMMENDED FOR APPROVAL

CHAIRMAN STANDARDS COMMITTEE
APPROVED

DEPUTY DIRECTOR

APR. 30, 2020	DATE
APR. 30, 2020	DATE

GUARDRAIL TRANSITION HARDWARE 1 OF 3

STANDARD DRAWING TITLE

SUPPLEMENTAL DRAWING

STD. DWG. NO.
BA 4B1A