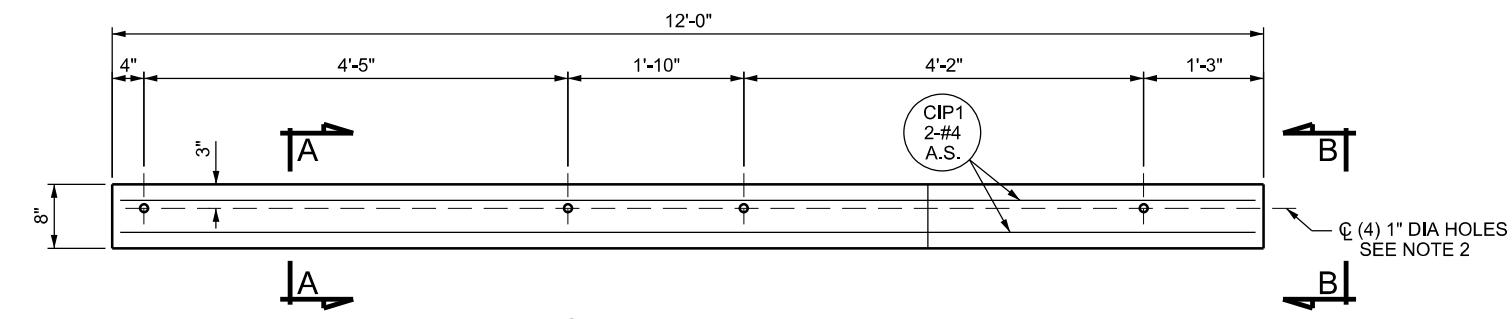
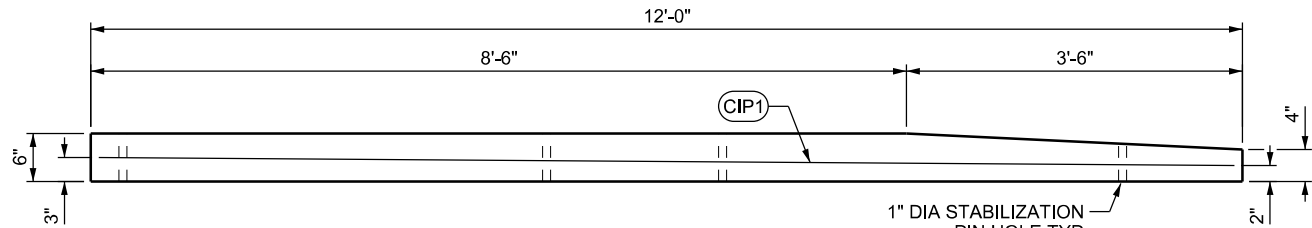


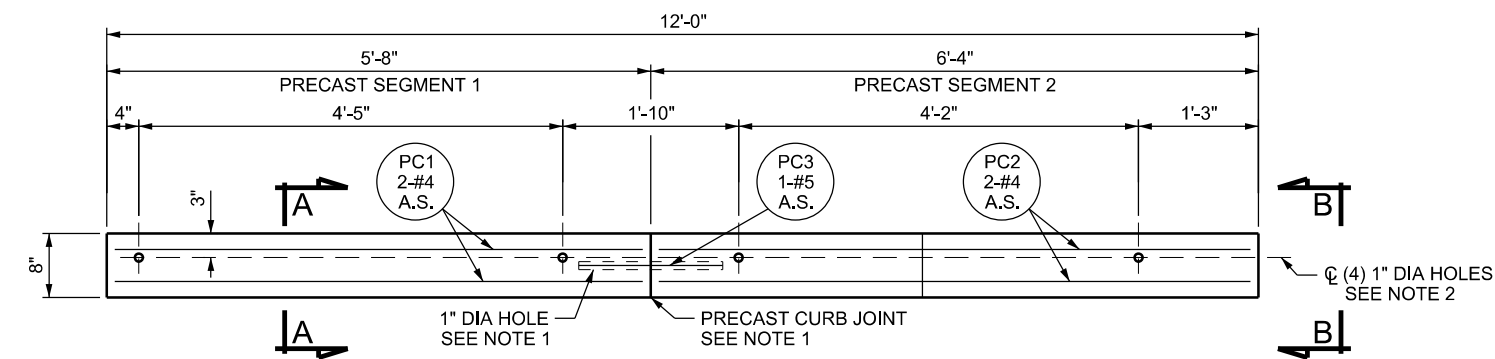
06-MAY-2020 DGN File L:\Standard Drawings\Imparrel\2017 Approved\Apr-1 - 2020\Backup\BA04B1B.dgn



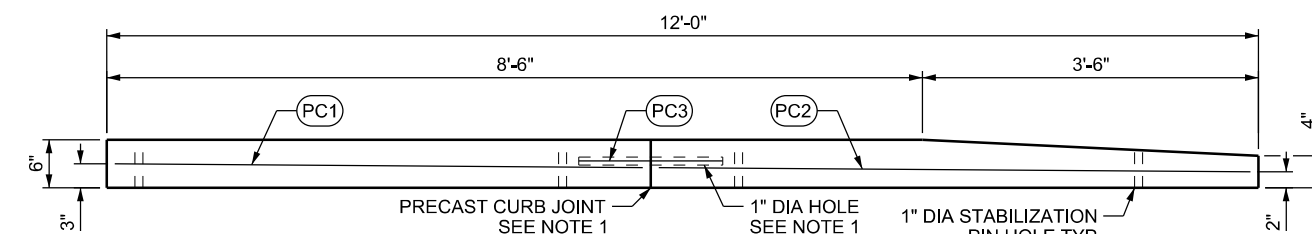
CAST-IN-PLACE PLAN



CAST-IN-PLACE ELEVATION



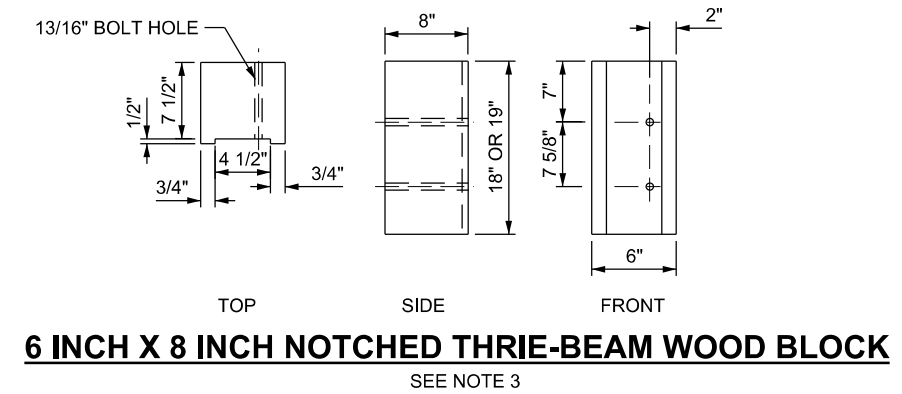
PRECAST PLAN



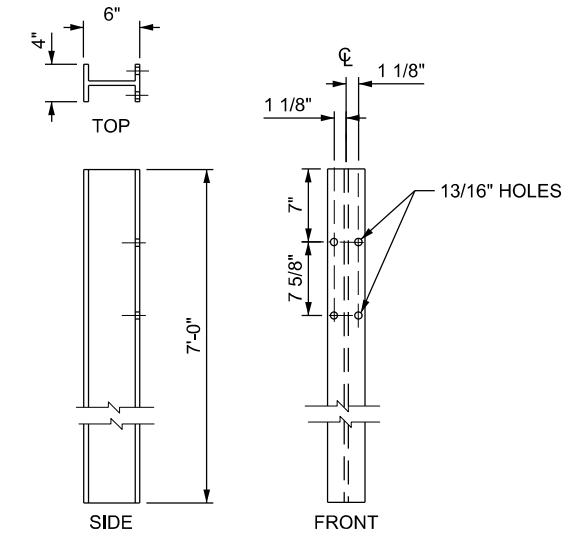
PRECAST ELEVATION

BAR MARK	BAR SIZE	NO. BARS	LOCATION	SKETCH
CIP1	#4	2	HORIZONTAL IN CURB	
PC1	#4	2	HORIZONTAL IN CURB	
PC2	#4	2	HORIZONTAL IN CURB	
PC3	#5	1	HORIZONTAL BETWEEN PRECAST CURB SEGMENTS	

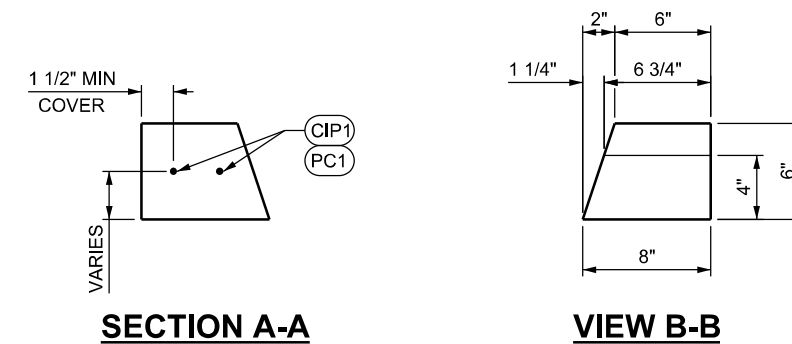
THRIE-BEAM GUARDRAIL TRANSITION CURB



6 INCH X 8 INCH NOTCHED THRIE-BEAM WOOD BLOCK
SEE NOTE 3



W6 X 8.5 STEEL THRIE-BEAM POST



SECTION A-A

VIEW B-B

NOTES:

- USE PRECAST OR CAST-IN-PLACE CONCRETE FOR THE GUARDRAIL TRANSITION CURB. PRECAST CURB OPTION: USE AT MOST TWO PRECAST SEGMENTS AND PROVIDE THE FOLLOWING AT THE JOINT:
 - 1 1/2 INCH MINIMUM CONCRETE COVER FOR B1 REBAR.
 - FORM OR CORE DRILL ONE 1 INCH DIA X 9 INCH HOLE INTO EACH PRECAST SEGMENT.
 - PLACE ONE PC3 BAR WITH EPOXY RESIN ADHESIVE, CENTERED ON THE JOINT DURING CURB INSTALLATION.
- FORM OR CORE DRILL 1 INCH DIAMETER HOLES FOR CURB STABILIZATION PINS.
- A COMPOSITE OR PLASTIC BLOCK CAN BE SUBSTITUTED FOR THE NOTCHED WOOD BLOCK ON STEEL POSTS INSTALLATION. MASH COMPLIANCE REQUIRED.

SUPPLEMENTAL DRAWING

NO.	DATE	APPR.	REMARKS
2	04/30/20	SDD	NEW DRAWING.

UTAH DEPARTMENT OF TRANSPORTATION
STANDARD DRAWINGS FOR ROAD AND BRIDGE CONSTRUCTION
SALT LAKE CITY, UTAH

RECOMMENDED FOR APPROVAL
CHAIRMAN STANDARDS COMMITTEE
APPROVED
DEPUTY DIRECTOR

DATE: APR. 30, 2020
DATE: APR. 30, 2020

GUARDRAIL TRANSITION HARDWARE 2 OF 3

STANDARD DRAWING TITLE

STD. DWG. NO.
BA 4B1B