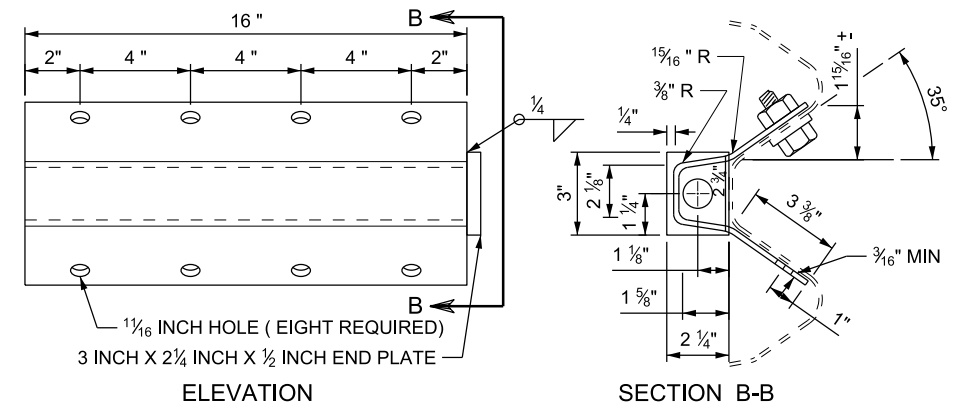
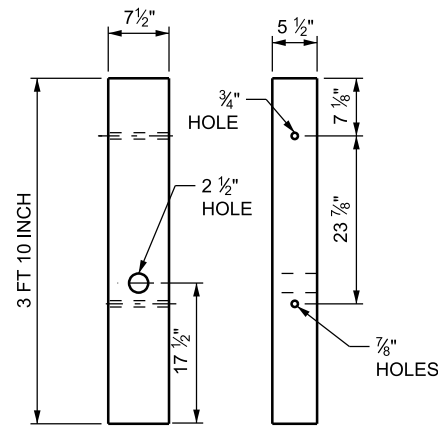


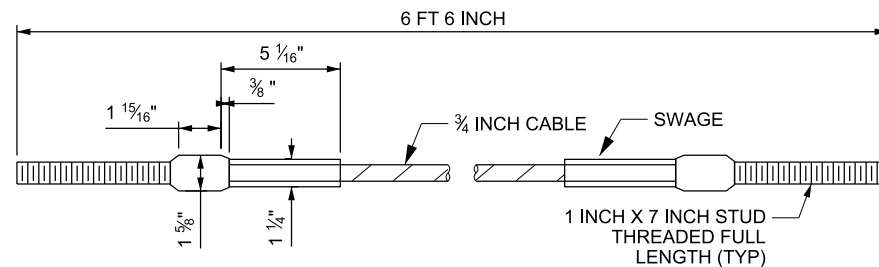
RAIL ELEMENT



ANCHOR BRACKET (FPA01)

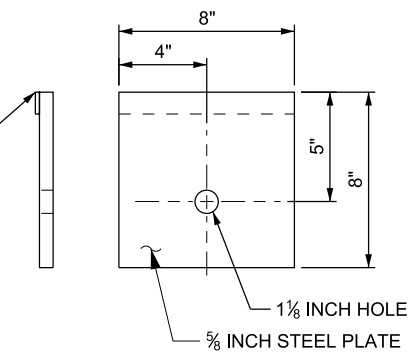


WOOD BREAKAWAY POST (PDF01)



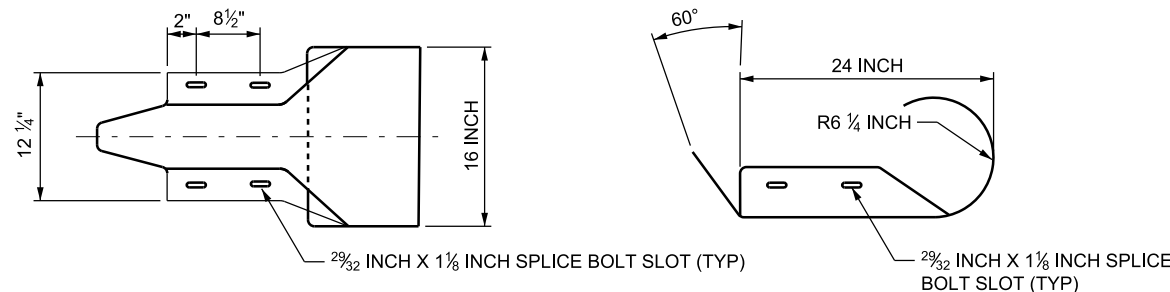
BCT CABLE ANCHOR ASSEMBLY (FCA01)

1 3/16 INCH X 1 INCH X 8 INCH PLATE
TACK WELD TO 5/8 INCH PLATE

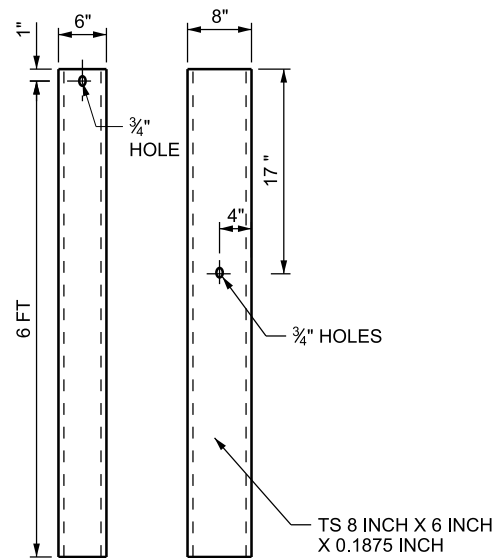


NOTE:
INSTALL BEARING PLATE WITH
5 INCH PORTION UP. SECURE PLATE
TO POST USING TWO NAILS AT
TOP OF PLATE TO PREVENT ROTATION.

BEARING PLATE (FPB01)

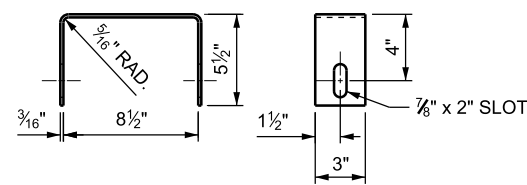


END SECTION (ROUNDED) (RWE03A)

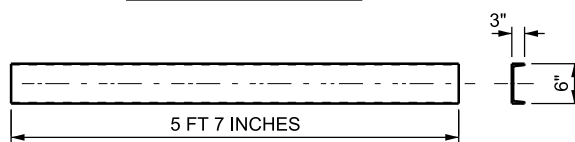


FOUNDATION TUBE (PTE06)

SEE NOTE 1

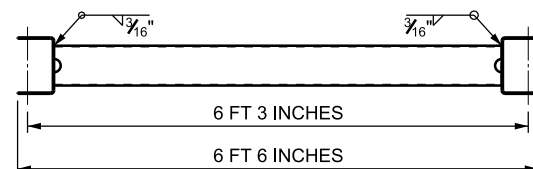


YOKE DETAILS



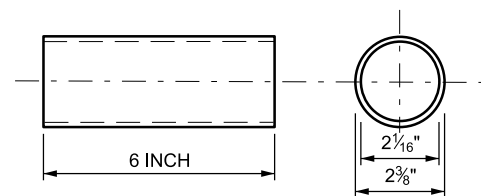
STRUT DETAILS

6"x3" 10 GAUGE
SEE NOTE 2



STRUT AND YOKE ASSEMBLY

SEE NOTE 2



BREAKAWAY TERMINAL POST SLEEVE (FMM02)

DESIGN-ONLY NOTES

- DO NOT USE ON APPROACH END.
- USE ON BARRIER TRAILING END ON DIVIDED ROADWAYS WITH A POSITIVE SEPARATION OR MEDIAN WIDTH GREATER THAN OR EQUAL TO 36 FT MEASURED FROM EDGE OF TRAVEL LANE TO EDGE OF TRAVEL LANE AND BARRIER END IS OUTSIDE THE MAXIMUM REQUIRED CLEAR ZONE AS DEFINED IN THE UDOT ROADWAY DESIGN MANUAL AND THE AASHTO ROADSIDE DESIGN GUIDE.

NOTES:

- MANUFACTURE ACCORDING TO AASHTO GUIDE TO STANDARDIZED HIGHWAY BARRIER HARDWARE. NUMBER IN PARENTHESIS IS GUIDE REFERENCE NUMBER.
- MANUFACTURE STRUT AND YOLK ASSEMBLY TO MEET ASTM A36 STEEL GALVANIZED.
- INSTALL SPLICE BOLTS ONLY WITHIN THE MID-SPAN SPLICE JOINT. DO NOT INSTALL CENTER BOLT.

SUPPLEMENTAL DRAWING

REVISIONS

NEW DRAWING

1	10/26/2017	SDD							
---	------------	-----	--	--	--	--	--	--	--

UTAH DEPARTMENT OF TRANSPORTATION

STANDARD DRAWINGS FOR ROAD AND BRIDGE CONSTRUCTION
SALT LAKE CITY, UTAH

RECOMMENDED FOR APPROVAL

CHAIRMAN STANDARDS COMMITTEE

APPROVED

DEPUTY DIRECTOR

DATE

DATE

DATE

DATE

REMARKS

MIDWEST 31 INCH W-BEAM
GUARDRAIL
ANCHOR
TYPE 1

STD. DWG. NO.

BA 4C1A

STANDARD DRAWING TITLE