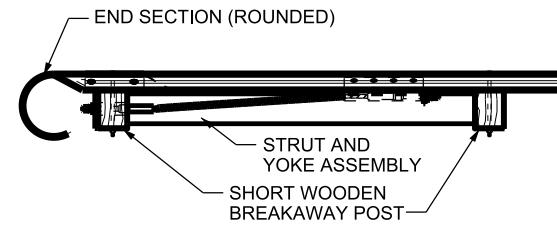
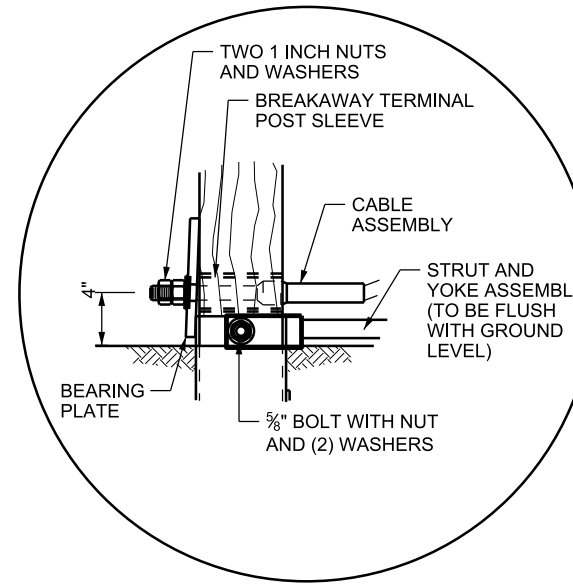


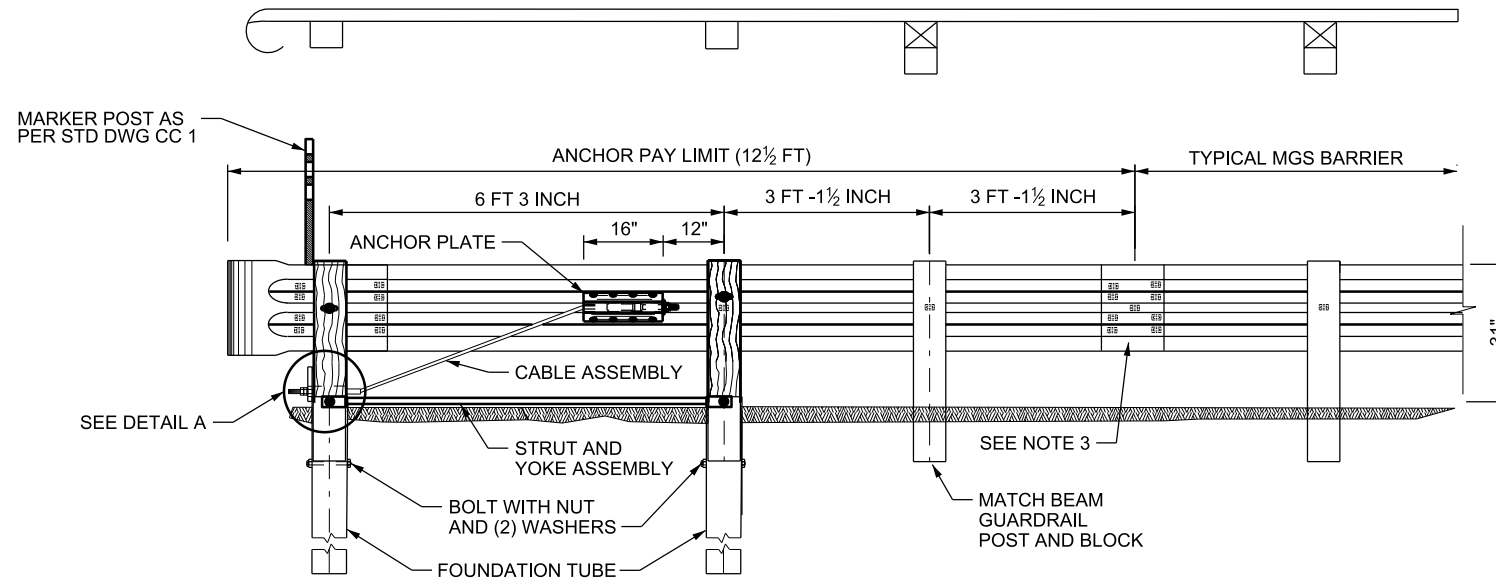
12-SEP-2018 DGN File: D:\StandardSpecs\Section\2017\Section\All Supp Issues\Issue - 6 08-30-2018\Drawings\BA04C1B.dgn



**PLAN**



**DETAIL A**



**TRAILING END W-BEAM ANCHOR INSTALLATION**

**DESIGN-ONLY NOTES**

- A. DO NOT USE ON APPROACH END.
- B. USE ON BARRIER TRAILING END ON DIVIDED ROADWAYS WITH A POSITIVE SEPARATION OR MEDIAN WIDTH GREATER THAN OR EQUAL TO 36 FT MEASURED FROM EDGE OF TRAVEL LANE TO EDGE OF TRAVEL LANE AND BARRIER END IS OUTSIDE THE MAXIMUM REQUIRED CLEAR ZONE AS DEFINED IN THE UDOT ROADWAY DESIGN MANUAL AND THE AASHTO ROADSIDE DESIGN GUIDE.

**NOTES:**

- 1. MANUFACTURE ACCORDING TO AASHTO GUIDE TO STANDARDIZED HIGHWAY BARRIER HARDWARE. NUMBER IN PARENTHESIS IS GUIDE REFERENCE NUMBER.
- 2. INSTALL SPLICE BOLTS ONLY WITHIN THE MID-SPAN SPLICE JOINT. DO NOT INSTALL CENTER BOLT.

SUPPLEMENTAL DRAWING

REVISIONS		NO.	DATE	APPR.	REMARKS
1	10/26/2017	SDD			NEW DRAWING.

**UTAH DEPARTMENT OF TRANSPORTATION**  
 STANDARD DRAWINGS FOR ROAD AND BRIDGE CONSTRUCTION  
 SALT LAKE CITY, UTAH

RECOMMENDED FOR APPROVAL  
*[Signature]*  
 CHAIRMAN STANDARDS COMMITTEE  
 APPROVED

DEPUTY DIRECTOR

DATE: AUG 30, 2018

**MIDWEST 31 INCH W-BEAM GUARDRAIL ANCHOR TYPE 1**

STANDARD DRAWING TITLE

STD. DWG. NO. BA 4C1B