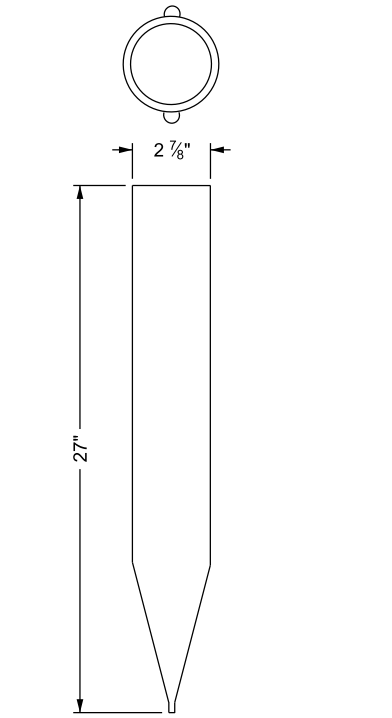
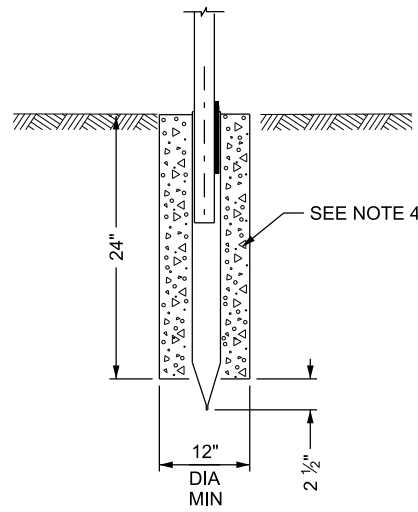


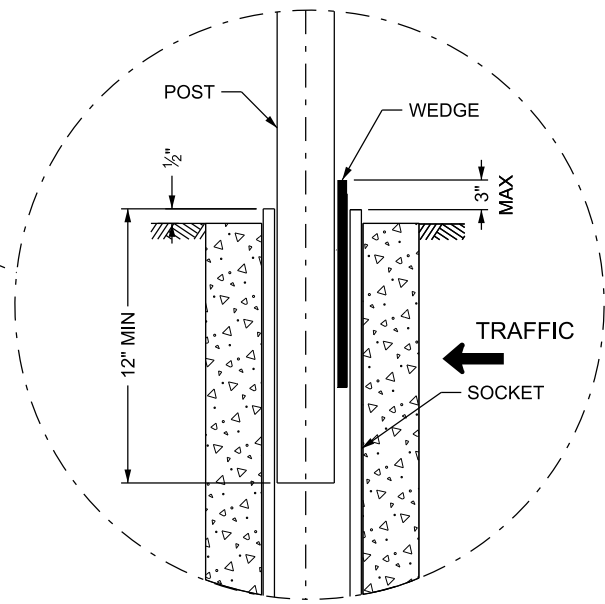
WEDGE
11 GA GALVANIZED STEEL ASTM A 526 G-90



TUBULAR SOCKET
12 GA GALVANIZED STEEL ASTM A 787



CONCRETE FOUNDATION
SEE NOTE 1



NOTE:
INSTALL WEDGE ON APPROACHING TRAFFIC SIDE OF POST

SMALL SIGN TUBULAR STEEL POST BASE (B1)
(SOCKET SYSTEM)
(SINGLE POST APPLICATION ONLY)

POST SELECTION GUIDE *					
SIGN WIDTH (FT.)					
	1	2	2.5	3	
SIGN HEIGHT (FT.)	1	P1	P1	P1	P1
	2	P1	P1	P1	P1
	2.5	P1	P1	P1	P1
	3	P1	P1	P1	P2
4	P1	P1	P2	P2	

* POST SELECTION GUIDE ASSUMES A 7 FT MOUNTING HEIGHT FROM BOTTOM OF SIGN. INCREASE POST ONE SIZE FOR ADDITIONAL FOOT OF MOUNTING HEIGHT. MAXIMUM MOUNTING HEIGHT 8 FT. ANOTHER SIGN BASE OPTION IS REQUIRED IF MOUNTING HEIGHT REQUIREMENTS ARE GREATER.

POST SIZE DETERMINED BY BASE MANUFACTURER'S WIND LOADING REQUIREMENTS.

POST DETAIL CHART (SINGLE POST ONLY)			
POST TYPE	OUTSIDE DIAMETER	WALL THICKNESS	MATERIAL AND COATING REQUIREMENTS
P1 **	2 3/8 INCH	0.080 INCH (14 GAUGE)	ASTM A 513 GALVANIZED TO MEET AASHTO M 232
P2 **	2 3/8 INCH	0.095 INCH (13 GAUGE)	ASTM A 513 GALVANIZED TO MEET AASHTO M 232

**DO NOT USE "T" OR "U" BRACKET ON P1 OR P2 POSTS.

NOTES:

- CONCRETE FOUNDATION REQUIRED IN ALL INSTALLATIONS.
- REFER TO SN 2 SERIES STD DWGS FOR MOUNTING HEIGHT AND OFFSET REQUIREMENTS.
- REFER TO STD DWG SN 8 FOR SIGN MOUNTING REQUIREMENTS.
- USE CONCRETE CLASS B(AE). PROJECT TOTALS REQUIRING ONE CUBIC YARD OR LESS A COMMERCIALLY AVAILABLE PRODUCT THAT MEETS OR EXCEEDS 4,000 PSI OR A CONCRETE MIX MEETING STANDARD SPECIFICATION 03055 CONCRETE CLASS B MAY BE USED. MIX BEFORE PLACING.
- ALLOW FOR 7 DAY CURE TIME BEFORE INSTALLING SIGN POST.
- PRE-PUNCH POST WITH 3/8 INCH HOLES, MOUNT SIGN DIRECTLY TO POST OR USE AN APPROVED MOUNTING CLAMP. SPACING OF HOLES FROM TOP INCHES ARE AS FOLLOWS:
1,3,10, 16, 21, 23, 24, 27, 33, 37, 39, AND 45

DESIGN-ONLY NOTES:

- DO NOT EXCEED MAXIMUM SQUARE FOOTAGE OF POST WHEN INSTALLING A SUPPLEMENTAL SIGN BY MORE THAN 25 PERCENT.
(EX: POST P2 MAX. SIGN SIZE 3 FT W x 4 FT H = 12 SQ FT + 25 PERCENT = 15 SQ.FT. = (3 FT W x 4 FT H) + (1 FT W x 3 FT H) = 15 FT)
- USE OF YELLOW POSTS FOR LEFT SIDE (MEDIAN) INSTALLATION OR FOR LOCATIONS WITH A HIGH PROBABILITY OF BEING IMPACTED IS PERMITTED WHEN DIRECTED BY REGION TRAFFIC ENGINEER.

REVISIONS

NO.	DATE	DATE	APPR.	REMARKS
1	2/22/18		CGW	REVISED NOTE B FOR CONSISTENCY WITH OTHER DRAWINGS

UTAH DEPARTMENT OF TRANSPORTATION
STANDARD DRAWINGS FOR ROAD AND BRIDGE CONSTRUCTION
SALT LAKE CITY, UTAH

RECOMMENDED FOR APPROVAL
R. Smith
CHAIRMAN STANDARDS COMMITTEE
APPROVED
DEPUTY DIRECTOR

DATE: FEB. 22, 2018
DATE: FEB. 22, 2018

SMALL SIGN
TUBULAR STEEL
POST BASE WITH
CONCRETE (B1)
(SOCKET SYSTEM)

STD. DWG. NO.
SN 11A

STANDARD DRAWING TITLE