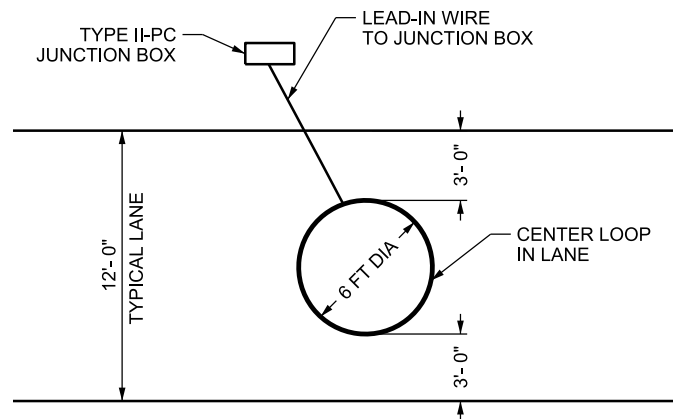
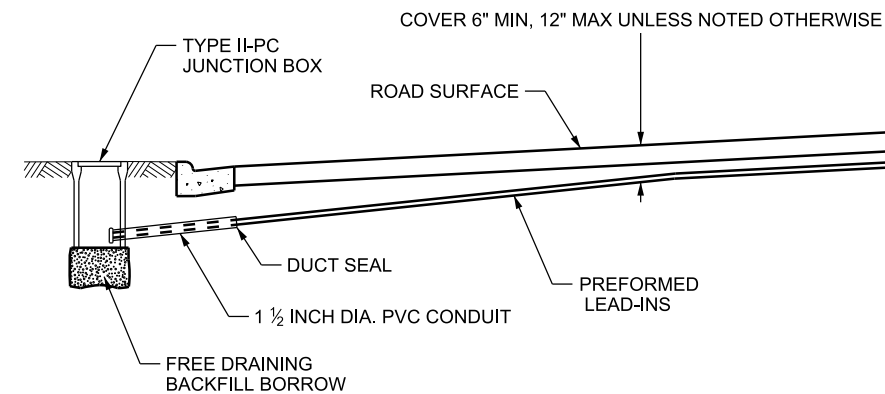


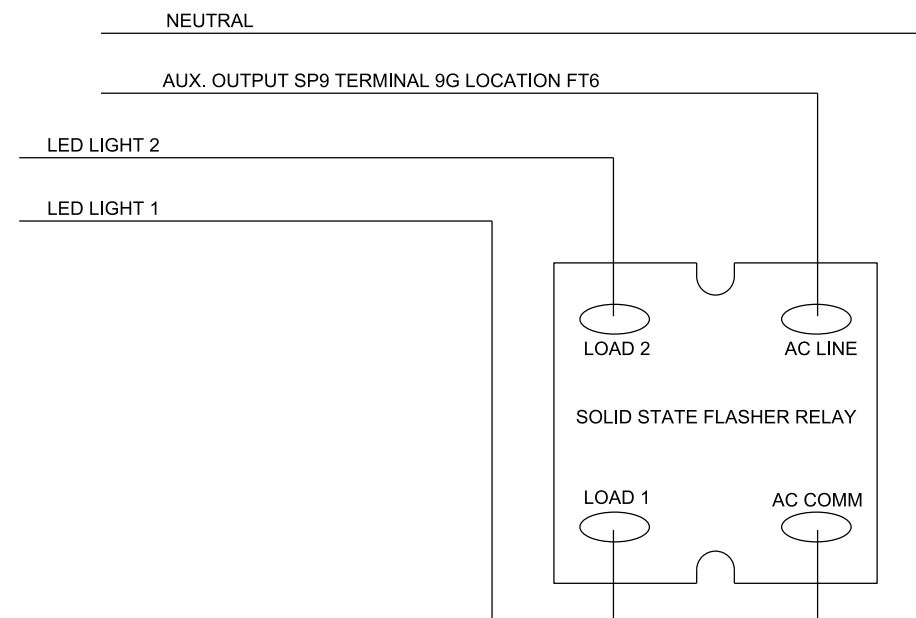
D:\Projects\2018\Drawings\104.dgn 7 10-25-2018 10:45:11 AM



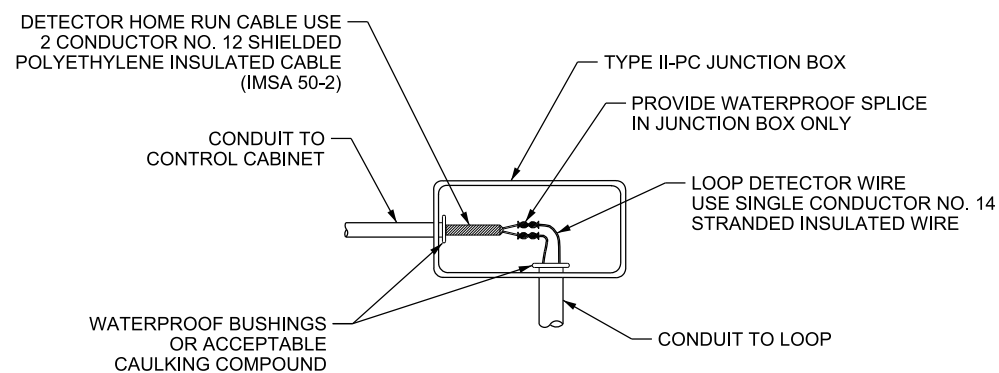
TYPICAL LOOP DETAIL



TYPICAL SECTION



FLASHER RELAY WIRING DETAIL



LEAD-IN/HOME RUN SPLICE DETAIL

NOTES:

1. USE SCHEDULE 40 PVC CONDUIT OR HDPE CONDUIT ONLY. REFER TO STANDARD SPECIFICATION 13553.
2. USE A SEPARATE WIRE FOR EACH LOOP. EACH LOOP WIRE TO BE CONTINUOUS, WITH NO SPLICES, EXCEPT WITH THE HOMERUN WIRE AT THE JUNCTION BOX. USE SEPARATE CONDUCTOR HOMERUN FOR EACH DETECTOR NUMBER ASSIGNMENT. REFER TO STD DWG AT 5.
3. INSPECT AND TEST ALL LOOPS. REFER TO STANDARD SPECIFICATION 13591.

NO.	DATE	APPR.	REMARKS
1	10/25/2018	JBY	SWITCHED WIRES IN LEAD-IN/HOME RUN SPLICE DETAIL.

UTAH DEPARTMENT OF TRANSPORTATION
STANDARD DRAWINGS FOR ROAD AND BRIDGE CONSTRUCTION
SALT LAKE CITY, UTAH

RECOMMENDED FOR APPROVAL
Randall A. Park
CHAIRMAN STANDARDS COMMITTEE
APPROVED

DATE: OCT 25, 2018
DEPUTY DIRECTOR

LOOP DETECTOR AND WIRING DETAILS

STANDARD DRAWING TITLE