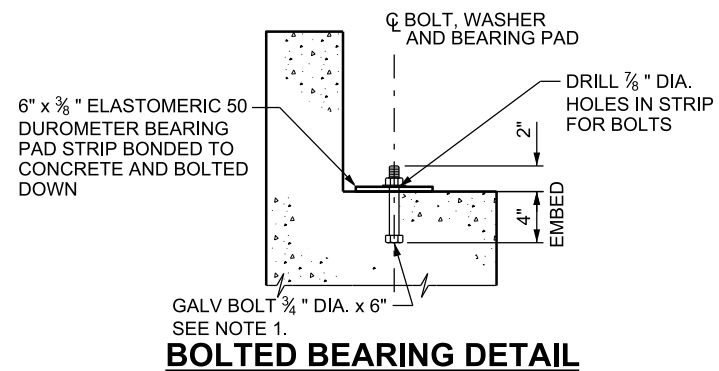
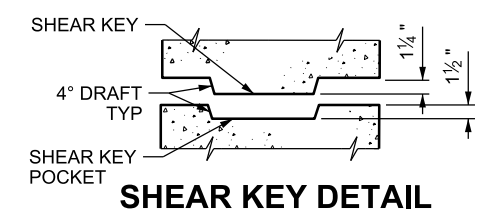


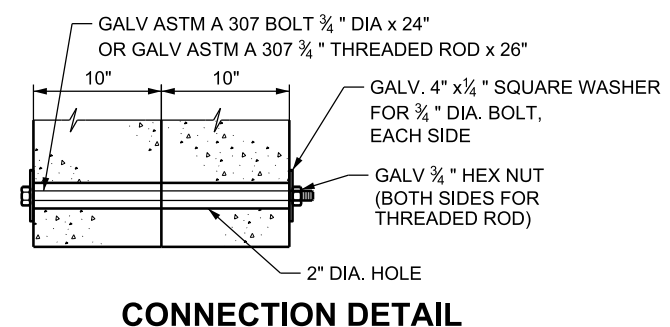
8'-0" CENTER UNIT



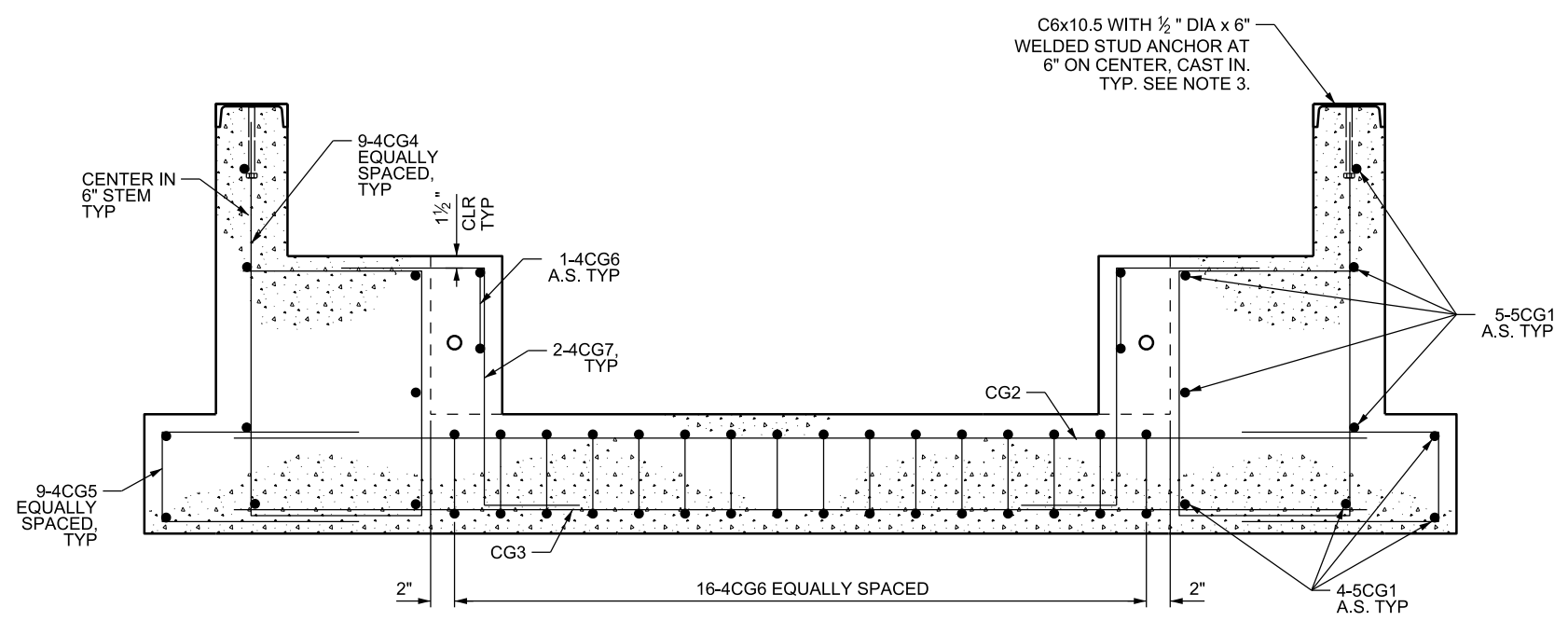
BOLTED BEARING DETAIL



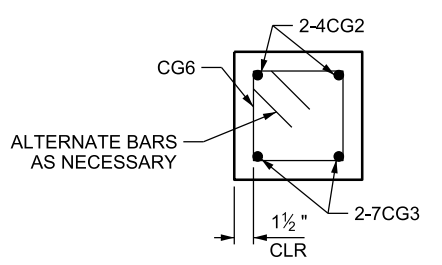
SHEAR KEY DETAIL



CONNECTION DETAIL



SECTION A-A



SECTION B-B

- NOTES:**
- FERRULE LOOP INSERTS SIZED FOR A BOLT OF EQUIVALENT DIAMETER TO THAT SHOWN MAY BE USED INSTEAD OF EMBEDDED BOLTS. FABRICATOR TO INCLUDE ASSOCIATED BOLT, OR EYE BOLT, OF LENGTH APPROPRIATE FOR FERRULE.
 - PROVIDE EMBEDDED LIFTING DEVICES CAPABLE OF SUPPORTING 20,000 LB MINIMUM TO LIFT THE PRECAST CATTLE GUARD UNIT INTO ITS FINAL POSITION.
 - WEEPHOLES ARE PERMITTED IN THE CHANNEL SECTION TO RELEASE ENTRAPPED AIR.

REINFORCING STEEL SCHEDULE FOR CENTER UNIT

MARK	LOCATION	SIZE	REQ'D	LENGTH	TOTAL	SKETCH	MARK	LOCATION	SIZE	REQ'D	LENGTH	TOTAL	SKETCH
CG1	CATTLE GUARD	5	18	7'-8"	138'-0"		CG6	CATTLE GUARD	4	32	3'-1"	98'-8"	
CG2	CATTLE GUARD	4	4	7'-8"	30'-8"								
CG3	CATTLE GUARD	7	4	7'-8"	30'-8"								
CG4	CATTLE GUARD	4	18	6'-11"	124'-6"								
CG5	CATTLE GUARD	4	18	3'-5"	61'-6"								
							CG7	CATTLE GUARD	4	8	3'-6"	28'-0"	90° STD. HOOK

STRUCTURAL STEEL PER UNIT

ITEM	REQ'D	SIZE	LENGTH
CHANNEL	2	C6x10.5	8'-0"
STUD ANCHOR	32	1/2" DIA	0'-6"

SUPPLEMENTAL DRAWING

REVISIONS
 NO. DATE APPRO. REMARKS
 1 10/25/18 JWC COMPLETE REVISION TO CATTLE GUARD
 10/25/18 DATE APPRO.

UTAH DEPARTMENT OF TRANSPORTATION
 STANDARD DRAWINGS FOR ROAD AND BRIDGE CONSTRUCTION
 SALT LAKE CITY, UTAH
 RECOMMENDED FOR APPROVAL
 Randal P. Park
 CHAIRMAN STANDARDS COMMITTEE
 APPROVED
 DEPUTY DIRECTOR

OCT. 25, 2018 DATE
 OCT. 25, 2018 DATE

8'-0" PRECAST CONCRETE
 CATTLE GUARD CENTER
 UNIT

STANDARD DRAWING TITLE

STD. DWG. NO.
 SW 1C

05-NOV-2018 DGN File: D:\StandardSpec\Section\2017\Section\All Supp Issues\Issue 7 10-25-2018\Drawings\SW01C.dgn