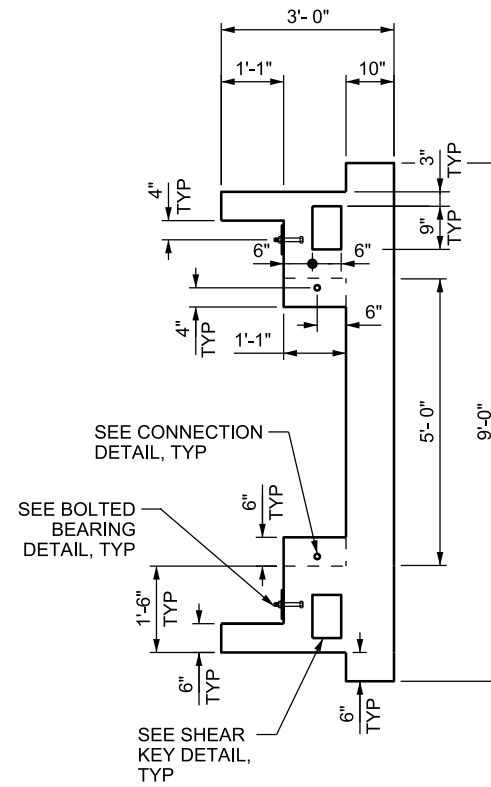
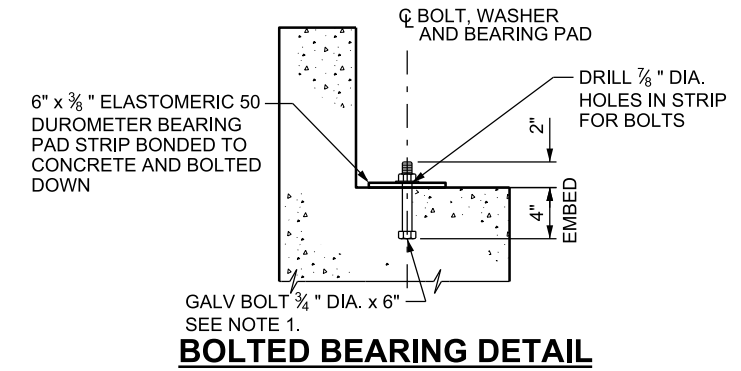


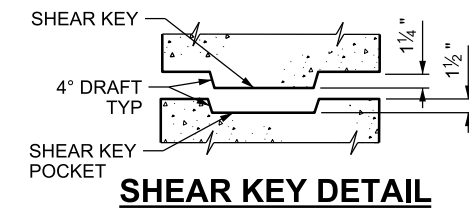
6'-0" END UNIT



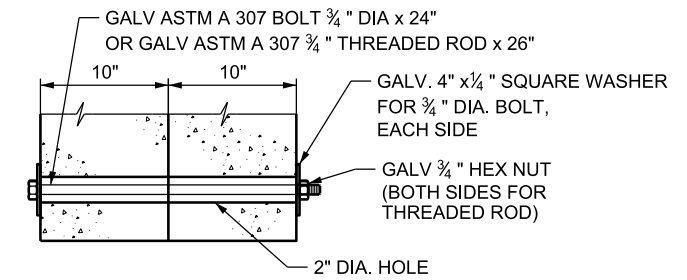
SECTION C-C



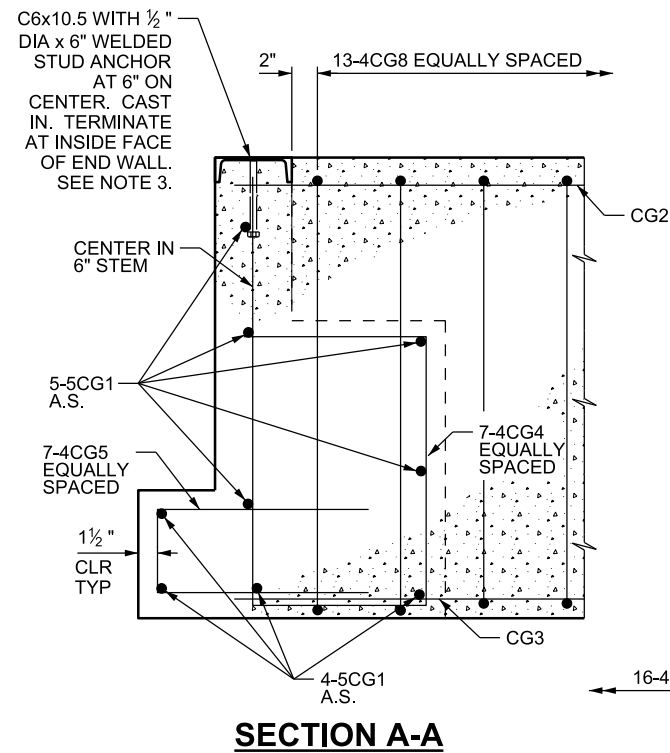
BOLTED BEARING DETAIL



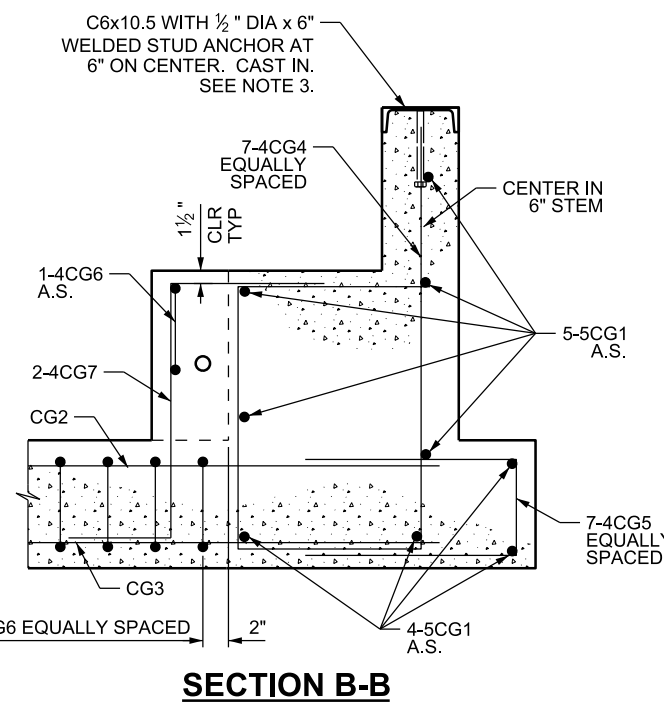
SHEAR KEY DETAIL



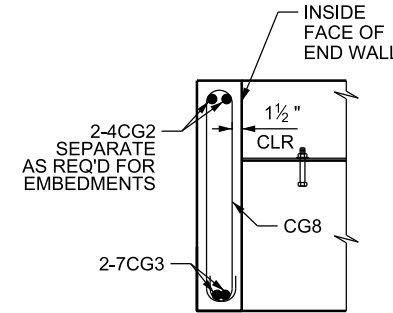
CONNECTION DETAIL



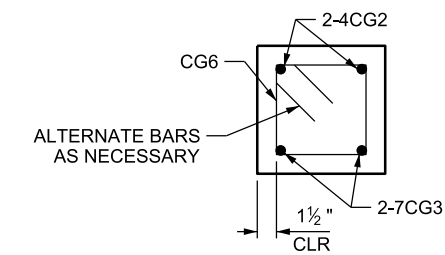
SECTION A-A



SECTION B-B



SECTION C-C



SECTION D-D

REINFORCING STEEL SCHEDULE FOR END UNIT

MARK	LOCATION	SIZE	REQ'D	LENGTH	TOTAL	SKETCH	
CG1	CATTLE GUARD	5	18	7'-8"	138'-0"		
CG2	CATTLE GUARD	4	4	7'-8"	30'-8"		
CG3	CATTLE GUARD	7	4	7'-8"	30'-8"		
CG4	CATTLE GUARD	4	14	6'-8"	93'-4"		
CG5	CATTLE GUARD	4	14	3'-5"	47'-10"		
MARK	LOCATION	SIZE	REQ'D	LENGTH	TOTAL	SKETCH	
CG6	CATTLE GUARD	4	16	3'-1"	49'-4"		
CG7	CATTLE GUARD	4	4	3'-6"	14'-0"		90° STD. HOOK
CG8	CATTLE GUARD	4	13	6'-10"	88'-10"		180° STD. HOOK

STRUCTURAL STEEL PER UNIT

ITEM	REQ'D	SIZE	LENGTH
CHANNEL	2	C6x10.5	5'-5"
STUD ANCHOR	22	1/2" DIA	0'-6"

NOTES:

- FERRULE LOOP INSERTS SIZED FOR A BOLT OF EQUIVALENT DIAMETER TO THAT SHOWN MAY BE USED INSTEAD OF EMBEDDED BOLTS. FABRICATOR TO INCLUDE ASSOCIATED BOLT, OR EYE BOLT, OF LENGTH APPROPRIATE FOR FERRULE.
- PROVIDE EMBEDDED LIFTING DEVICES CAPABLE OF SUPPORTING 20,000 LB MINIMUM TO LIFT THE PRECAST CATTLE GUARD UNIT INTO ITS FINAL POSITION.
- WEEPHOLES ARE PERMITTED IN THE CHANNEL SECTION TO RELEASE ENTRAPPED AIR.

SUPPLEMENTAL DRAWING

REVISIONS

NO.	DATE	APPR.	REMARKS
2	2/28/19	JWC	RENISED LENGTH OF CG6 BAR
1	10/25/18	JWC	NEW DRAWING. COMPLETE REVISION TO CATTLE GUARD

UTAH DEPARTMENT OF TRANSPORTATION
STANDARD DRAWINGS FOR ROAD AND BRIDGE CONSTRUCTION
SALT LAKE CITY, UTAH

RECOMMENDED FOR APPROVAL
DATE: FEB. 28, 2019
APPROVED: [Signature]
DEPUTY DIRECTOR

6'-0" PRECAST CONCRETE
CATTLE GUARD END UNIT

STD. DWG. NO.

SW 1D

STANDARD DRAWING TITLE