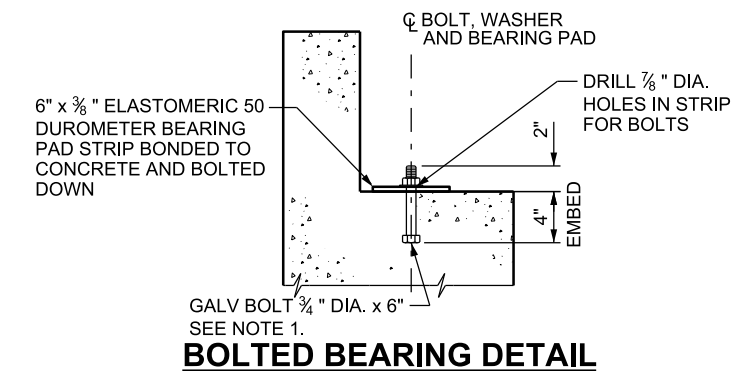
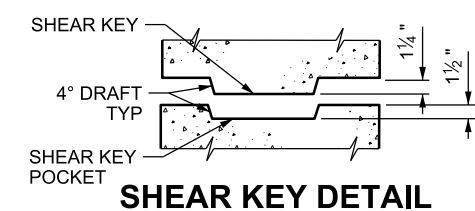


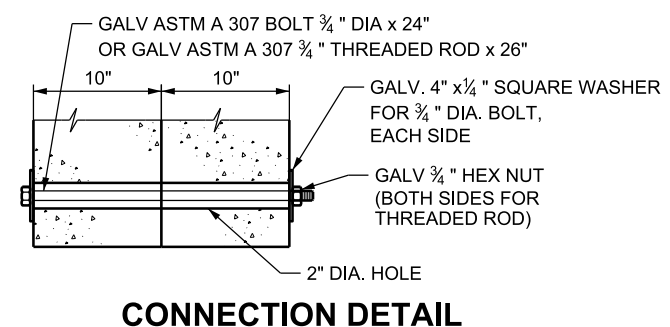
**6'-0" CENTER UNIT**



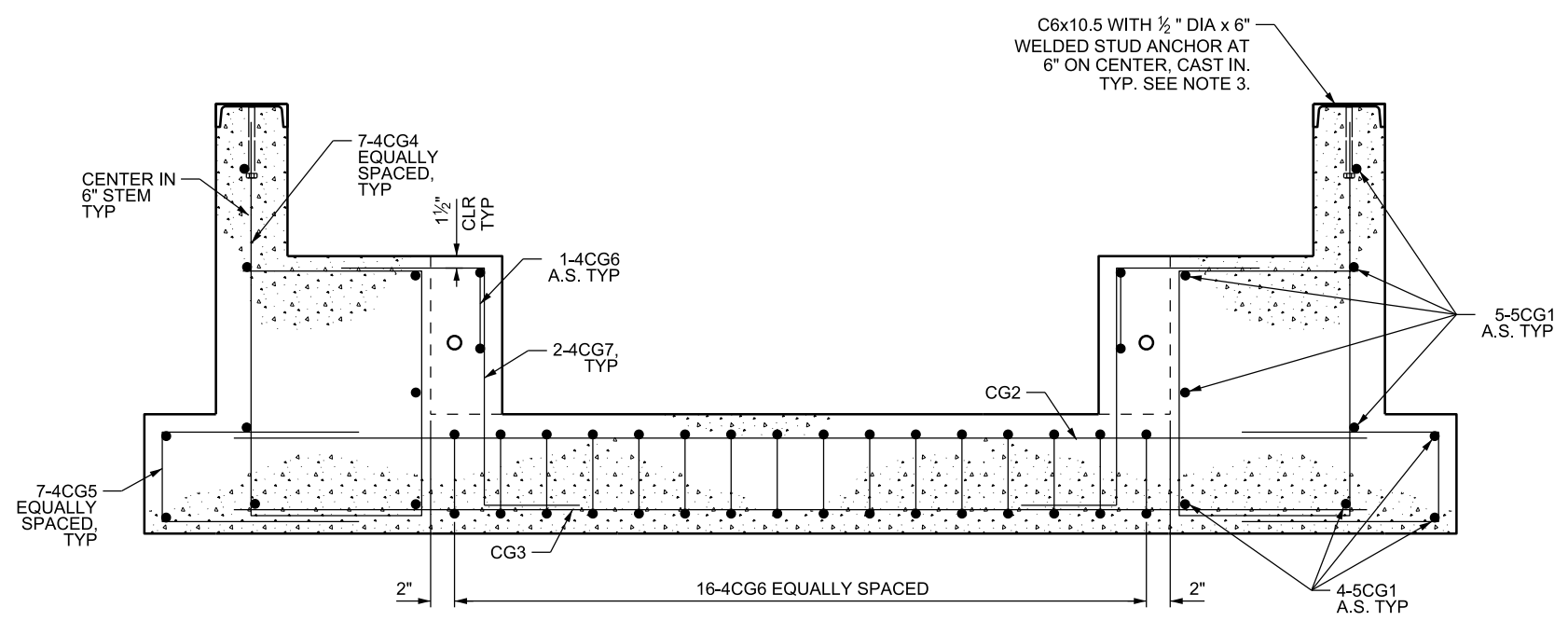
**BOLTED BEARING DETAIL**



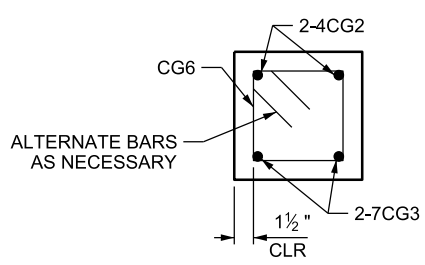
**SHEAR KEY DETAIL**



**CONNECTION DETAIL**



**SECTION A-A**



**SECTION B-B**

**REINFORCING STEEL SCHEDULE FOR CENTER UNIT**

MARK	LOCATION	SIZE	REQ'D	LENGTH	TOTAL	SKETCH	MARK	LOCATION	SIZE	REQ'D	LENGTH	TOTAL	SKETCH	
CG1	CATTLE GUARD	5	18	7'-8"	138'-0"		CG6	CATTLE GUARD	4	32	3'-1"	98'-8"		
CG2	CATTLE GUARD	4	4	7'-8"	30'-8"									
CG3	CATTLE GUARD	7	4	7'-8"	30'-8"			CG7	CATTLE GUARD	4	8	3'-6"	28'-0"	90° STD. HOOK
CG4	CATTLE GUARD	4	14	6'-11"	96'-10"									
CG5	CATTLE GUARD	4	14	3'-5"	47'-10"									

STRUCTURAL STEEL PER UNIT			
ITEM	REQ'D	SIZE	LENGTH
CHANNEL	2	C6x10.5	6'-0"
STUD ANCHOR	24	1/2" DIA	0'-6"

- NOTES:**
- FERRULE LOOP INSERTS SIZED FOR A BOLT OF EQUIVALENT DIAMETER TO THAT SHOWN MAY BE USED INSTEAD OF EMBEDDED BOLTS. FABRICATOR TO INCLUDE ASSOCIATED BOLT, OR EYE BOLT, OF LENGTH APPROPRIATE FOR FERRULE.
  - PROVIDE EMBEDDED LIFTING DEVICES CAPABLE OF SUPPORTING 20,000 LB MINIMUM TO LIFT THE PRECAST CATTLE GUARD UNIT INTO ITS FINAL POSITION.
  - WEEPHOLES ARE PERMITTED IN THE CHANNEL SECTION TO RELEASE ENTRAPPED AIR.

**SUPPLEMENTAL DRAWING**

REVISIONS			
NO.	DATE	APPR.	REMARKS
1	10/25/18	JWC	NEW DRAWING. COMPLETE REVISION TO CATTLE GUARD

**UTAH DEPARTMENT OF TRANSPORTATION**  
STANDARD DRAWINGS FOR ROAD AND BRIDGE CONSTRUCTION  
SALT LAKE CITY, UTAH

RECOMMENDED FOR APPROVAL  
*Randall J. [Signature]*  
CHAIRMAN STANDARDS COMMITTEE

APPROVED  
*[Signature]*  
DEPUTY DIRECTOR

DATE: OCT. 25, 2018

**6'-0" PRECAST CONCRETE CATTLE GUARD CENTER UNIT**

STANDARD DRAWING TITLE

STD. DWG. NO. **SW 1E**

D:\Users\jstanley\OneDrive\Documents\Projects\2017\Section\111\_Supp\_Issues\Issue\_7\_10-25-2018\Drawings\SW1E.dgn 05-NOV-2018