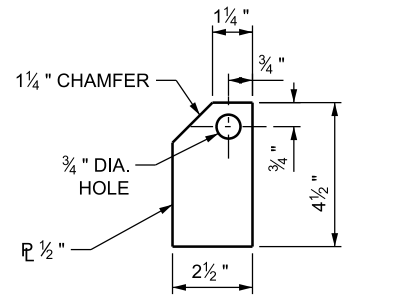
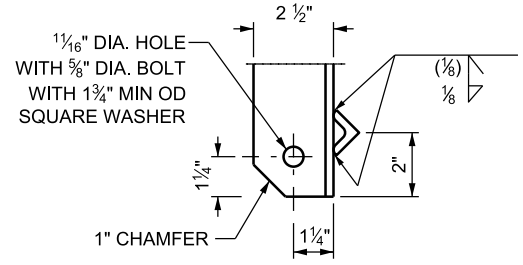


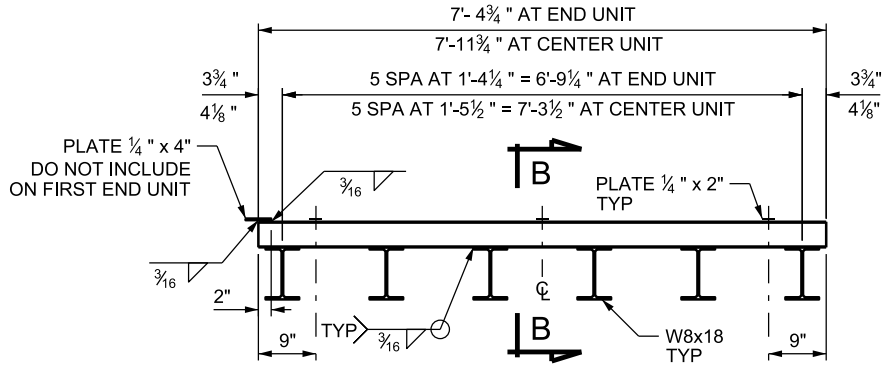
TOP JOINT DETAIL



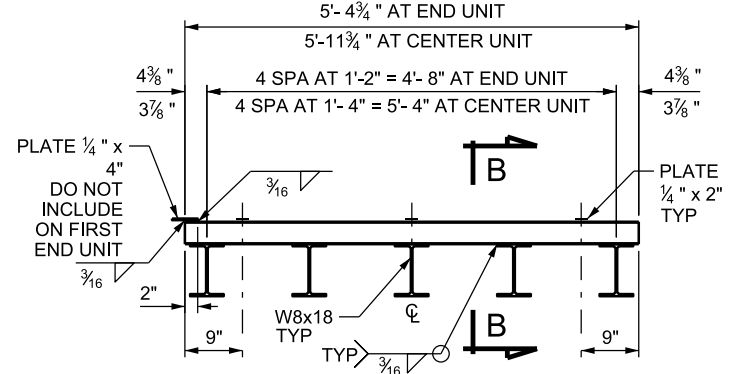
TOP PLATE DETAIL



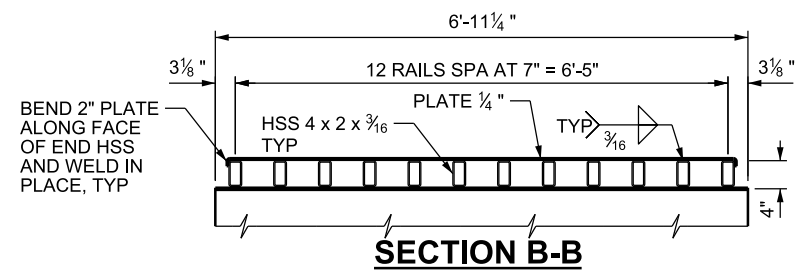
BASE DETAIL



8'-0" TRAFFIC GRILL UNIT
APPROXIMATE WEIGHT 1,400 LB



6'-0" TRAFFIC GRILL UNIT
APPROXIMATE WEIGHT 1,100 LB



SECTION B-B

STRUCTURAL STEEL PER UNIT

8'- 0" END UNIT			
ITEM	REQ'D	SIZE	LENGTH
BEAM	6	W8 x 18	6'-11 1/4"
HSS	13	4 x 2 x 3/16	7'- 4 3/4"
2" PLATE	3	1/4" x 2"	7'- 0"
4" PLATE	1*	1/4" x 4"	6'- 7"

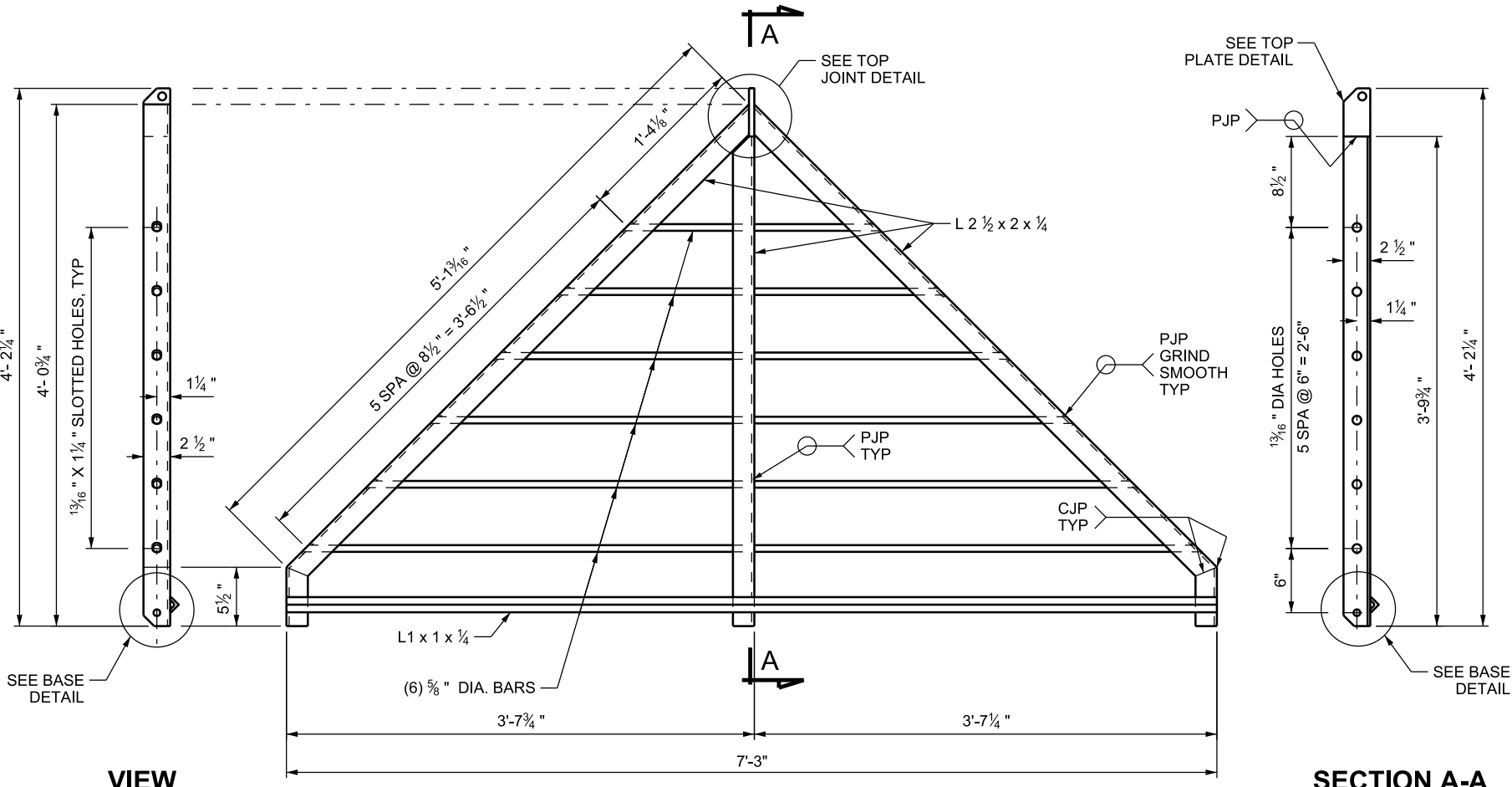
* DO NOT INCLUDE ON FIRST TRAFFIC GRILL UNIT

8'- 0" CENTER UNIT			
ITEM	REQ'D	SIZE	LENGTH
BEAM	6	W8 x 18	6'-11 1/4"
HSS	13	4 x 2 x 3/16	7'-11 3/4"
2" PLATE	3	1/4" x 2"	7'- 0"
4" PLATE	1	1/4" x 4"	6'- 7"

6'- 0" END UNIT			
ITEM	REQ'D	SIZE	LENGTH
BEAM	5	W8 x 18	6'-11 1/4"
HSS	13	4 x 2 x 3/16	5'- 4 3/4"
2" PLATE	3	1/4" x 2"	7'- 0"
4" PLATE	1*	1/4" x 4"	6'- 7"

* DO NOT INCLUDE ON FIRST TRAFFIC GRILL UNIT

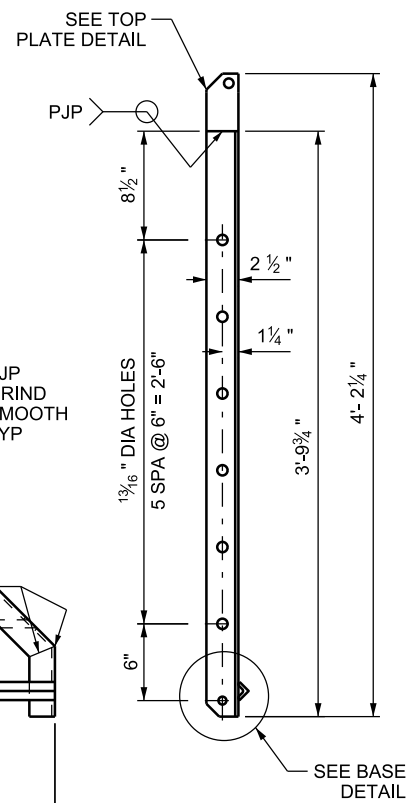
6'- 0" CENTER UNIT			
ITEM	REQ'D	SIZE	LENGTH
BEAM	5	W8 x 18	6'-11 1/4"
HSS	13	4 x 2 x 3/16	5'-11 3/4"
2" PLATE	3	1/4" x 2"	7'- 0"
4" PLATE	1	1/4" x 4"	6'- 7"



VIEW
OTHER SIDE SIMILAR

WELDED END GUARD UNIT

WT.W/BOLTS, U-CLAMP 105 LBS (2 REQUIRED)



SECTION A-A

REVISIONS

NO.	DATE	APPR.	REMARKS
1	10/25/18	JWC	NEW DRAWING, COMPLETE REVISION TO CATTLE GUARD

UTAH DEPARTMENT OF TRANSPORTATION
STANDARD DRAWINGS FOR ROAD AND BRIDGE CONSTRUCTION
SALT LAKE CITY, UTAH

RECOMMENDED FOR APPROVAL
CHAIRMAN STANDARDS COMMITTEE
APPROVED
DEPUTY DIRECTOR

DATE: OCT. 25, 2018

WELDED END GUARD UNIT
AND
TRAFFIC GRILL UNIT

STD. DWG. NO.

SW 1F

SUPPLEMENTAL DRAWING