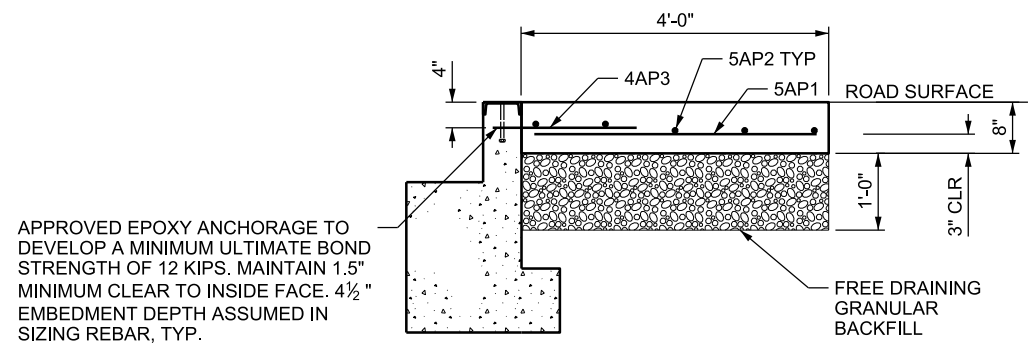


OPTIONAL CAST-IN-PLACE APRON - PLAN



SECTION A-A

REINFORCING STEEL SCHEDULE

MARK	LOCATION	SIZE	REQ'D	LENGTH	TOTAL	SKETCH
AP1	APRON	5	AS REQ'D	3'-8"	AS REQ'D	—
AP2	APRON	5	5	AS REQ'D	AS REQ'D	
AP3	APRON	4	AS REQ'D	1'-10½"	AS REQ'D	

DESIGN DATA

HL-93 LOADING ACCORDING TO AASHTO LRFD BRIDGE DESIGN AND INTERIM SPECIFICATIONS
 STRUCTURAL CONCRETE
 145 PCF $f_c = 4.0$ KSI $n = 8$ CLASS AA(AE)
 REINFORCING STEEL
 $f_y = 60$ KSI

GENERAL NOTES:

1. USE COATED DEFORMED-CARBON REINFORCING STEEL BARS CONFORMING TO ASTM A 775 OR AASHTO M 111 AND M 31 GRADE 60.
2. ANY MODIFICATION REQUIRES APPROVAL BY THE ENGINEER.
3. USE CONCRETE CLASS AA(AE).
4. PROVIDE 2 INCH CONCRETE COVER TO REINFORCING STEEL UNLESS NOTED OTHERWISE.

ITEM	LOCATION	EST QTY	UNIT
FREE DRAINING GRANULAR BACKFILL (PLAN QUANTITY)	6'-0" UNIT	1.8	CU YD
FREE DRAINING GRANULAR BACKFILL (PLAN QUANTITY)	8'-0" UNIT	2.4	CU YD
REINFORCING STEEL - COATED	6'-0" UNIT	180	LB
REINFORCING STEEL - COATED	8'-0" UNIT	250	LB
STRUCTURAL CONCRETE	6'-0" UNIT	1.2	CU YD
STRUCTURAL CONCRETE	8'-0" UNIT	1.6	CU YD

SUPPLEMENTAL DRAWING

REVISIONS

NO.	DATE	APPR.	REMARKS
1	10/25/18	JWC	NEW DRAWING

UTAH DEPARTMENT OF TRANSPORTATION
 STANDARD DRAWINGS FOR ROAD AND BRIDGE CONSTRUCTION
 SALT LAKE CITY, UTAH

RECOMMENDED FOR APPROVAL
 CHAIRMAN STANDARDS COMMITTEE
 APPROVED
 [Signature]
 DEPUTY DIRECTOR
 DATE: OCT. 25, 2018

**PRECAST CONCRETE
 CATTLE GUARD -
 OPTIONAL CIP APRON**

STD. DWG. NO.
SW 1G

DGN File: D:\StandardSpec\Section\2017\Section\All_Supp_Issues\Issue 7 10-25-2018\Drawings\SW1G.dgn 05-NOV-2018