

06-May-2020 D:\NLS\Standard Drawings\Imperial\2017 Approved\Suppl\3 Issued\Suppl\3 Approved Apr-1 - 2020\Backup\BA4B1C.dgn

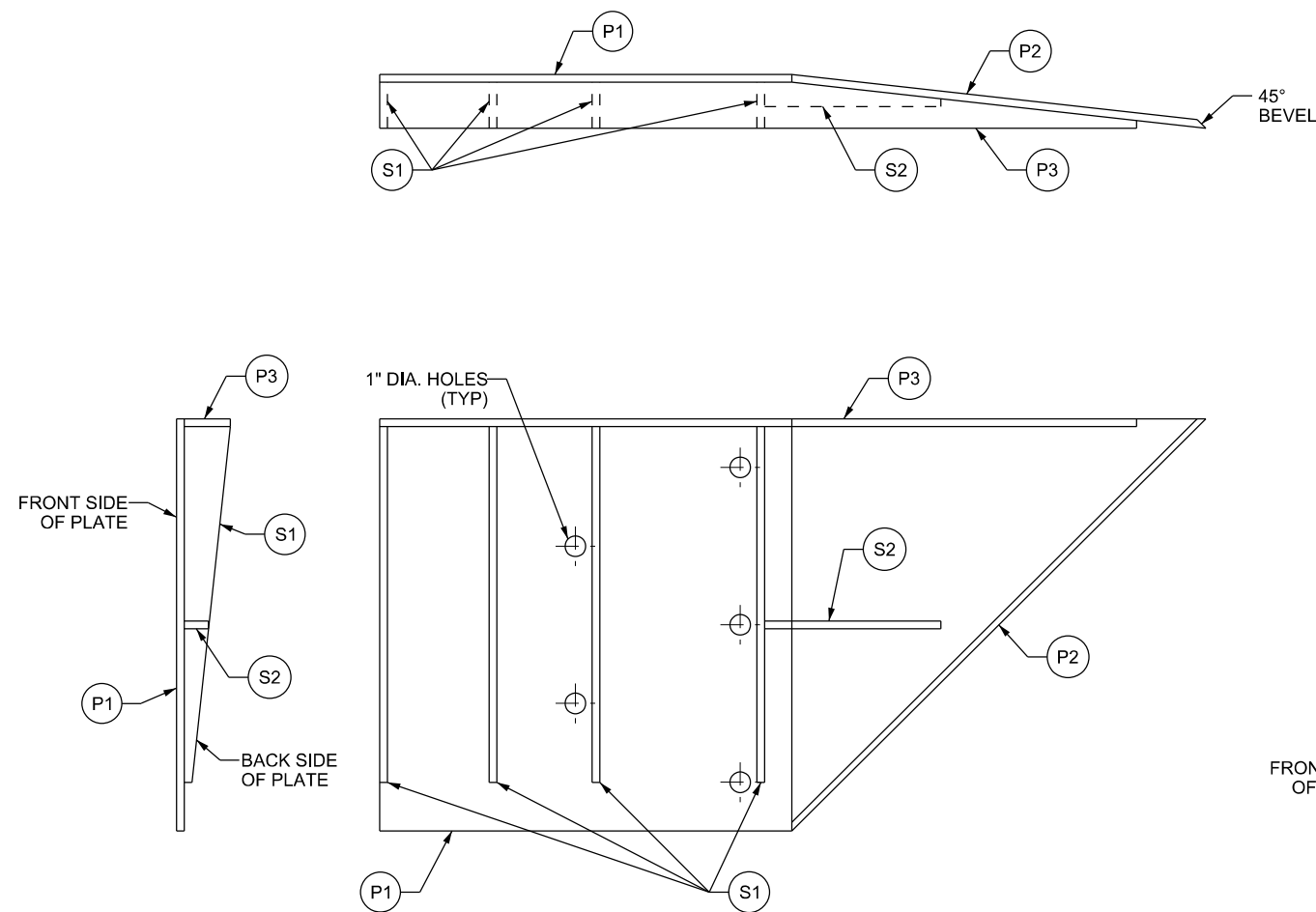
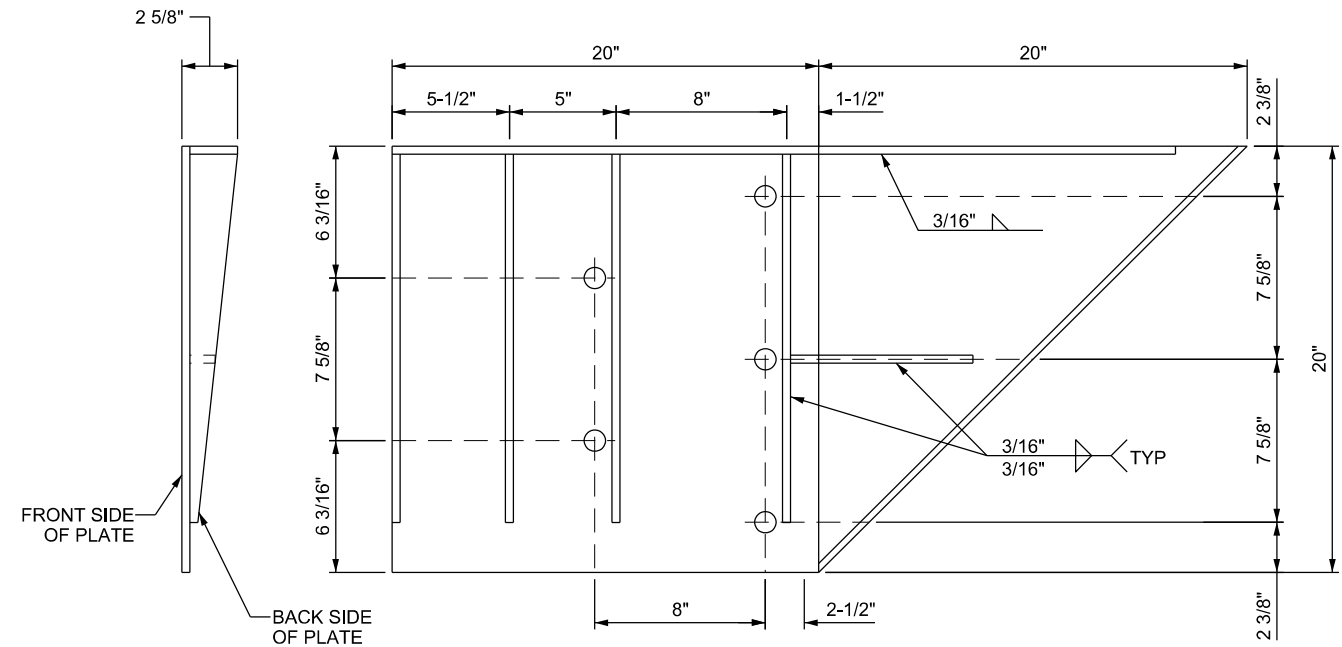
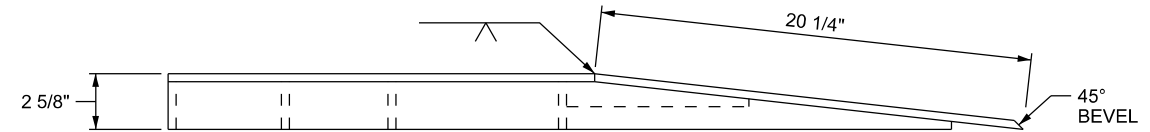


PLATE AND STIFFENER IDENTIFICATION

(BACK SIDE OF PLATE SHOWN)
RIGHT SIDE PLATE SHOWN,
LEFT SIDE PLATE IS MIRRORED



WELDING DETAILS

(BACK SIDE OF PLATE SHOWN)
RIGHT SIDE PLATE SHOWN,
LEFT SIDE PLATE IS MIRRORED

CONNECTOR PLATE DIMENSION (PER ASSEMBLY)				
PLATE No.	QUANTITY	SHAPE	THICKNESS (IN.)	F-SHAPE BARRIER SIZE A x B x C x D x E (IN.)
P1	1		3/8	20 x 20
P2	1		3/8	20 1/4 x 20 x 28 1/2
P3	1		3/8	36 3/4 x 2 1/4 x 20 x 16 7/8 x 3/8
S1	4		3/8	17 1/4 x 2 1/4 x 17 3/8 x 3/8
S2	1		3/8	8 1/2 x 1 1/8 x 1 3/8 x 7 1/4 x 3/8

THREE-BEAM CONNECTOR PLATE

REVISIONS			
NO.	DATE	APPR.	REMARKS
1	04/30/20	SDD	NEW DRAWING.

UTAH DEPARTMENT OF TRANSPORTATION
STANDARD DRAWINGS FOR ROAD AND BRIDGE CONSTRUCTION
SALT LAKE CITY, UTAH

RECOMMENDED FOR APPROVAL
CHAIRMAN STANDARDS COMMITTEE
APPROVED
DEPUTY DIRECTOR

APR. 30, 2020 DATE
APR. 30, 2020 DATE

**GUARDRAIL
TRANSITION
HARDWARE 3 OF 3**

STANDARD DRAWING TITLE

SUPPLEMENTAL DRAWING

STD. DWG. NO.
BA 4B1C