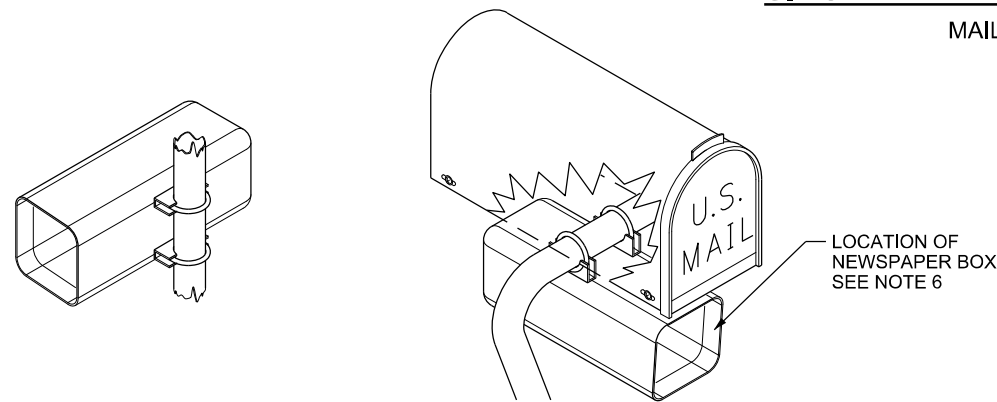


SINGLE AND MULTIPLE MAILBOX ASSEMBLIES

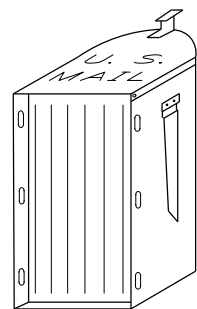
MAILBOX PLACEMENT DIMENSIONS



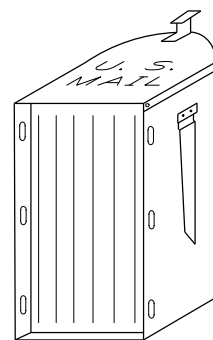
NEWSPAPER BOX TYPE A

NEWSPAPER BOX TYPE B

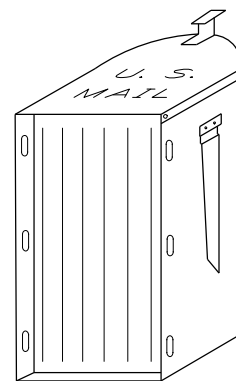
ONLY INSTALL NEWSPAPER BOX IF REQUESTED BY PROPERTY OWNER.



SIZE NO. 1 MAILBOX
(19 INCH x 6 1/2 INCH x 8 1/2 INCH)



SIZE NO. 2 MAILBOX
(21 INCH x 8 INCH x 10 1/2 INCH)



SIZE NO. 3 MAILBOX
(23 1/2 INCH x 11 1/2 INCH x 13 1/2 INCH)

APPROXIMATE MAILBOX SIZES

SEE NOTE 4
USE SIZE NO. 1 MAILBOX UNLESS PROPERTY OWNER REQUESTS A LARGER MAILBOX.

NOTES

- MAILBOX BASES AND SUPPORTS ARE DEFINED AS FOLLOWS:
TYPE "A": SINGLE POST WITH BASE FOR THE MOUNTING OF A SINGLE OR DOUBLE MAILBOX WITH OR WITHOUT NEWSPAPER BOX.
TYPE "B": A SINGLE POINT FORMED MOUNTING TUBE WITH BASE FOR THE MOUNTING OF THREE OR FOUR MAILBOXES WITH OR WITHOUT NEWSPAPER BOXES.
- INSTALL MAILBOX MOUNTING HARDWARE ACCORDING TO MANUFACTURER'S REQUIREMENTS.
- USE ONE OF THE FOLLOWING MOUNTING BASES, POSTS, AND HARDWARE:
A) TAPCO V-LOC MAILBOX SYSTEM.
B) OTHER MAILBOX SYSTEMS THAT MEET MASH CRASHWORTHINESS REQUIREMENTS MAY BE USED WITH ENGINEER'S APPROVAL.
- USE ANY COMMERCIALLY AVAILABLE MAILBOX MEETING POST OFFICE REQUIREMENTS AND DETAILS ON THIS DRAWING.
- MOUNT NO MORE THAN TWO MAILBOXES AND TWO NEWSPAPER BOXES USING TYPE "A" POST. MOUNT NEWSPAPER BOX UNDER MAILBOX AND DIRECTLY TO SUPPORT TYPE "A." MOUNT NO MORE THAN FOUR MAILBOXES AND FOUR NEWSPAPER BOXES ON TYPE "B" FRAME.
- DO NOT EXTEND NEWSPAPER BOXES BEYOND THE FRONT OF THE MAILBOX WHEN THE MAILBOX DOOR IS CLOSED.
- USE 2 INCH OR 2 1/4 INCH DIAMETER U-CLAMPS WITH 3/8 INCH DIAMETER THREADED BOLT END INCLUDING FLAT WASHERS, LOCK WASHERS, HEX NUTS, AND APPROPRIATE U-CLAMP SADDLE FOR ALL DEPICTED U-CLAMPS OR SOMETHING SIMILAR.

REVISIONS		MASH UPDATES	
NO.	DATE	APPR.	REMARKS
1	4/30/20	JW	

UTAH DEPARTMENT OF TRANSPORTATION
STANDARD DRAWINGS FOR ROAD AND BRIDGE CONSTRUCTION
SALT LAKE CITY, UTAH

RECOMMENDED FOR APPROVAL

CHAIRMAN STANDARDS COMMITTEE
APPROVED

DEPUTY DIRECTOR

DATE: APR. 30, 2020

NEWSPAPER AND MAILBOX SUPPORTS

STANDARD DRAWING TITLE

STD. DWG. NO.
GW 5B

SUPPLEMENTAL DRAWING

06-MAY-2020 D:\N\Standard\Drawings\Imperial\2017 Approved\Supplemental\Issues\Suppl13 Approved Apr-1 - 2020\Backup\GW05B.dwg