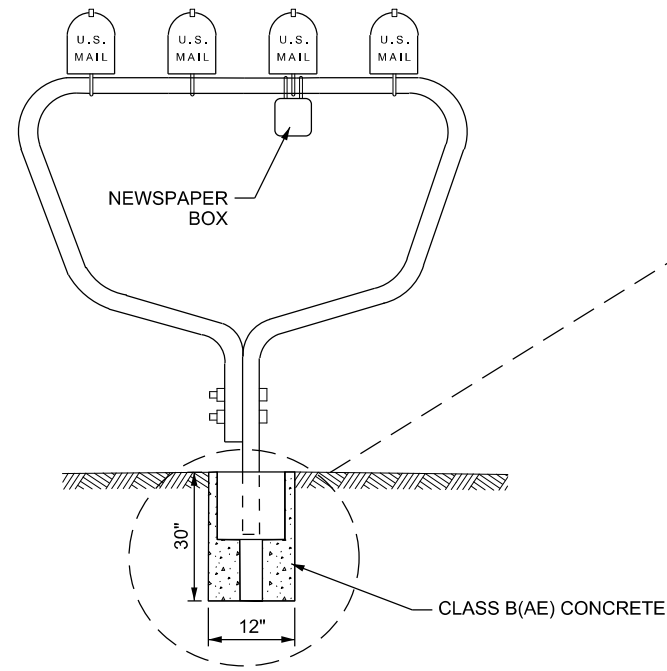
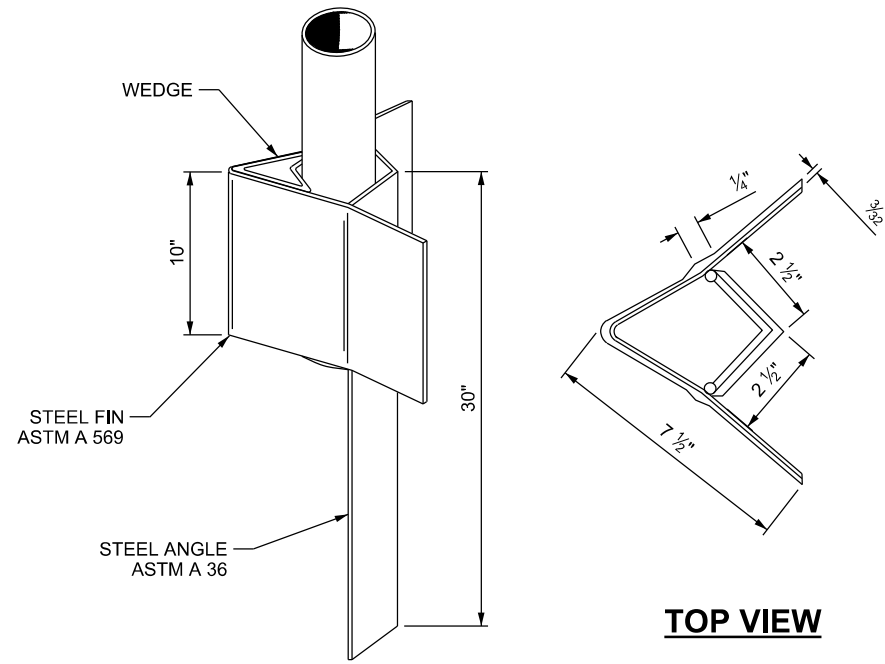


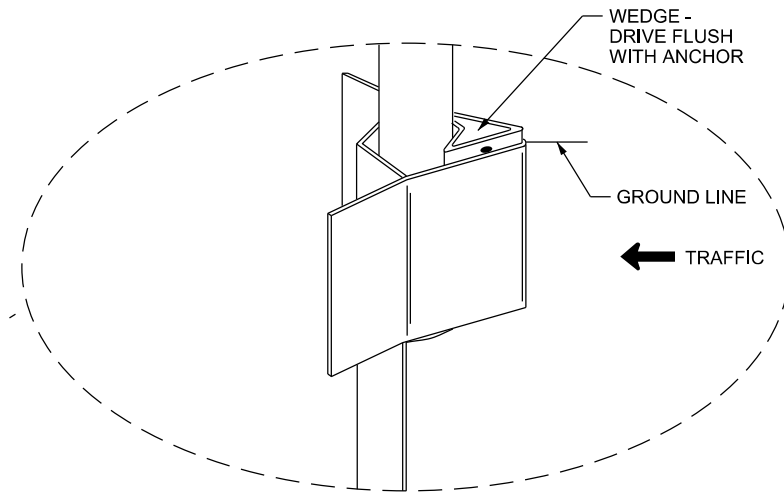
06-MAY-2020 DCN File: L:\Standard Drawings\Imperial\2817 Approved Supplemental Issues\Suppl3 Approved Apr-1 - 2020 Backup\GW5C.dgn



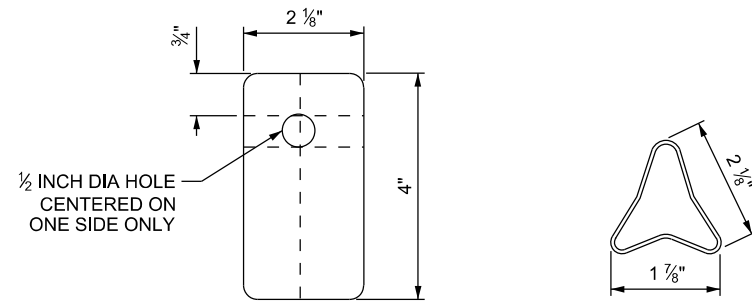
TRIANGULAR STEEL ANCHOR SYSTEM
(TAPCO MAILBOX SYSTEM)



TOP VIEW



TRIANGULAR STEEL ANCHOR
GALVANIZE AFTER FABRICATION



SIDE VIEW

TOP VIEW

WEDGE

REVISIONS		MASH UPDATES	
NO.	DATE	APPR.	REMARKS
1	4/30/20	JW	

UTAH DEPARTMENT OF TRANSPORTATION
STANDARD DRAWINGS FOR ROAD AND BRIDGE CONSTRUCTION
SALT LAKE CITY, UTAH

RECOMMENDED FOR APPROVAL
CHAIRMAN STANDARDS COMMITTEE
APPROVED
DEPUTY DIRECTOR

APR. 30, 2020 DATE
APR. 30, 2020 DATE

TRIANGULAR STEEL ANCHOR SYSTEM

STANDARD DRAWING TITLE

SUPPLEMENTAL DRAWING

STD. DWG. NO.
GW 5C