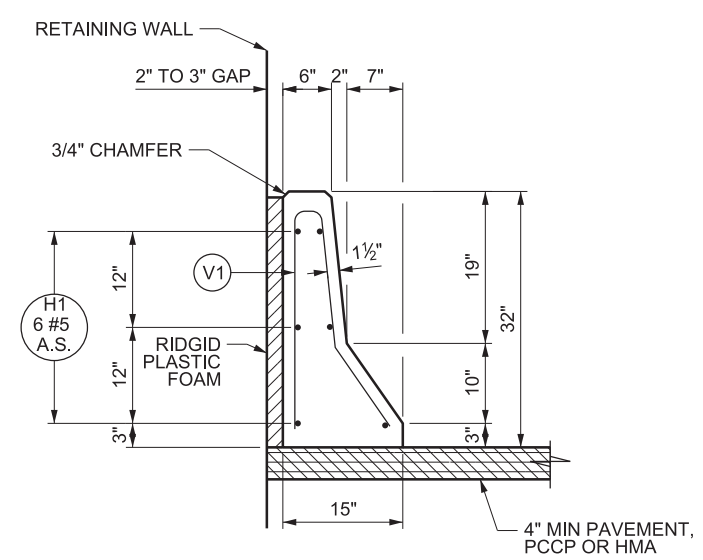
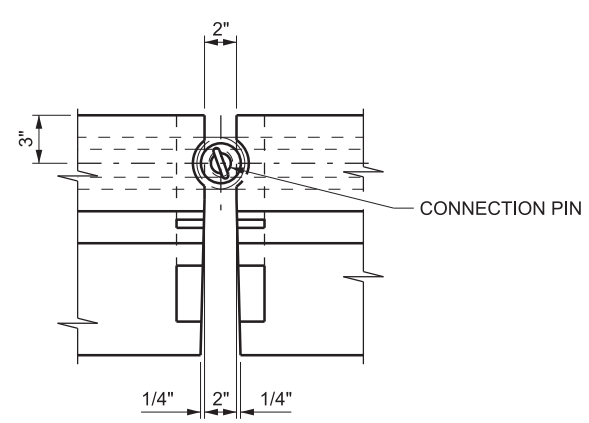


**VIEW B-B**

**ELEVATION**



**SECTION A-A  
AT RETAINING WALL**



**PARTIAL PLAN**

BAR MARK	BAR SIZE	NO. BARS	LOCATION	SKETCH
H1	#5	6	HORIZONTAL IN BARRIER TIED INSIDE V1 BARS	19'-4" OR 11'-10"
V1	#5	16 (20'-0" LENGTH) OR 11 (12'-6" LENGTH) OR 10 (10' LENGTH)	VERTICAL IN BARRIER	
TOTAL LENGTH = 4'-10 1/2"				

- NOTES:**
- SEE STD DWG BA 1A1 FOR GENERAL NOTES.
  - SEE "BARRIER CONNECTION DETAILS" ON STD DWG BA 1A2 FOR CONNECTION LOOP DETAILS.
  - DO NOT USE AS RETAINING BARRIER. REFER TO STD DWG BA 1C FOR RETAINING BARRIER APPLICATIONS.
  - USE ONLY IN FRONT OF A RETAINING WALL. DO NOT USE IN A WORK ZONE APPLICATION.
  - BARRIER UNIT WEIGHT: 3.0 TONS (20'-0" LENGTH)  
1.9 TONS (12'-6" LENGTH)

**SUPPLEMENTAL DRAWING**

**REVISIONS**

NO.	DATE	APPR.	REMARKS
1	08/29/19	SDD	MODIFIED DESIGN ONLY NOTES TO NOTES.

**UTAH DEPARTMENT OF TRANSPORTATION**  
STANDARD DRAWINGS FOR ROAD AND BRIDGE CONSTRUCTION  
SALT LAKE CITY, UTAH

RECOMMENDED FOR APPROVAL: \_\_\_\_\_ DATE: AUG. 29, 2019

CHAIRMAN STANDARDS COMMITTEE: \_\_\_\_\_ DATE: AUG. 29, 2019

APPROVED: \_\_\_\_\_ DATE: \_\_\_\_\_

DEPUTY DIRECTOR: \_\_\_\_\_

**PRECAST CONCRETE  
HALF BARRIER - 32 INCH  
NEW JERSEY SHAPE**

STD. DWG. NO.  
**BA 2E**