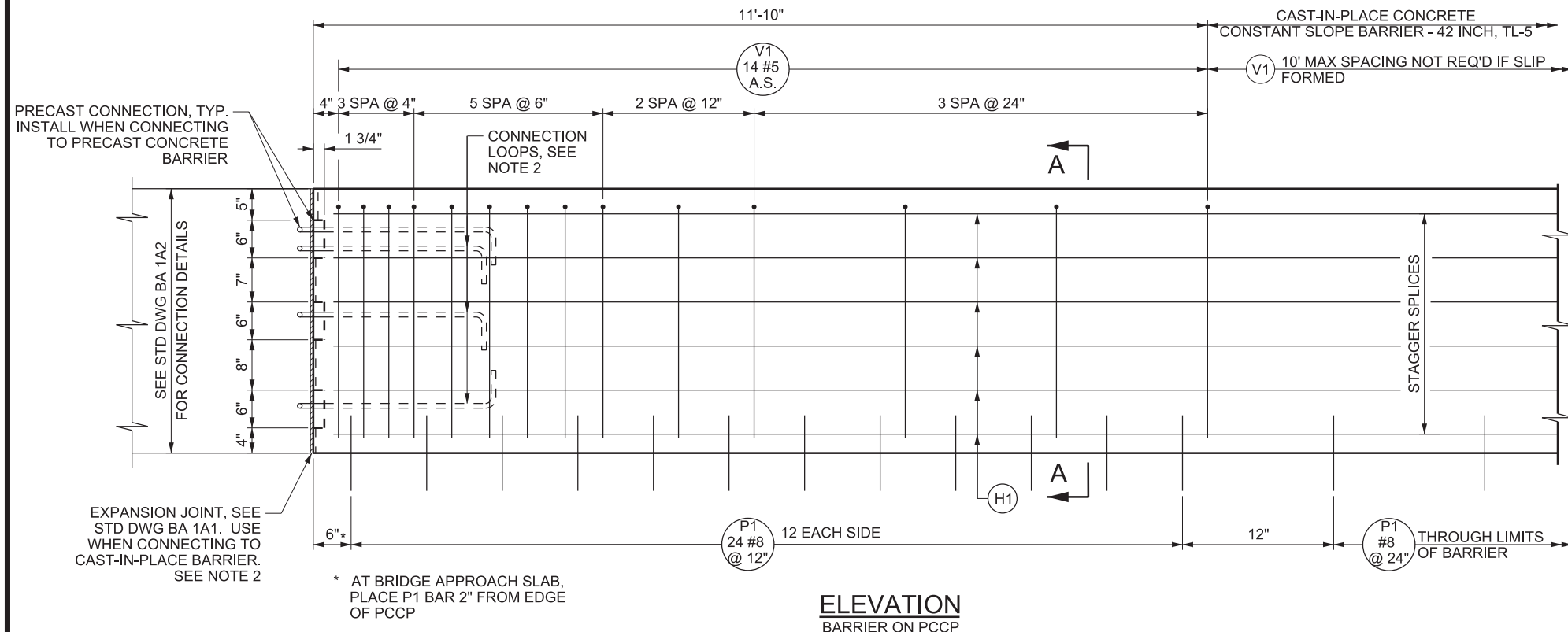
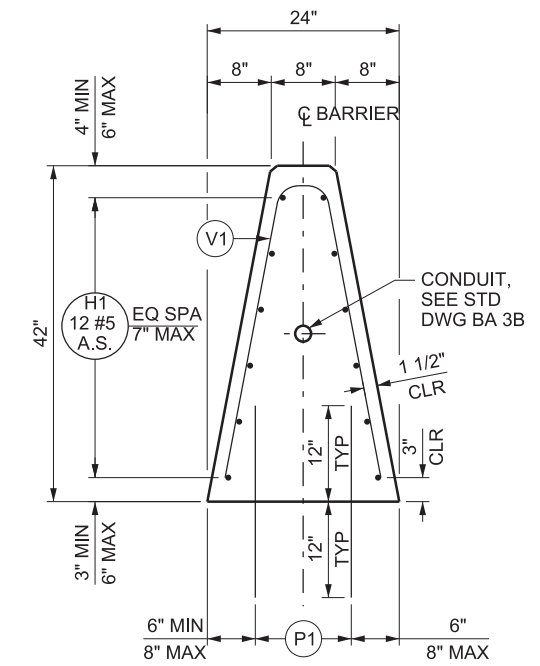


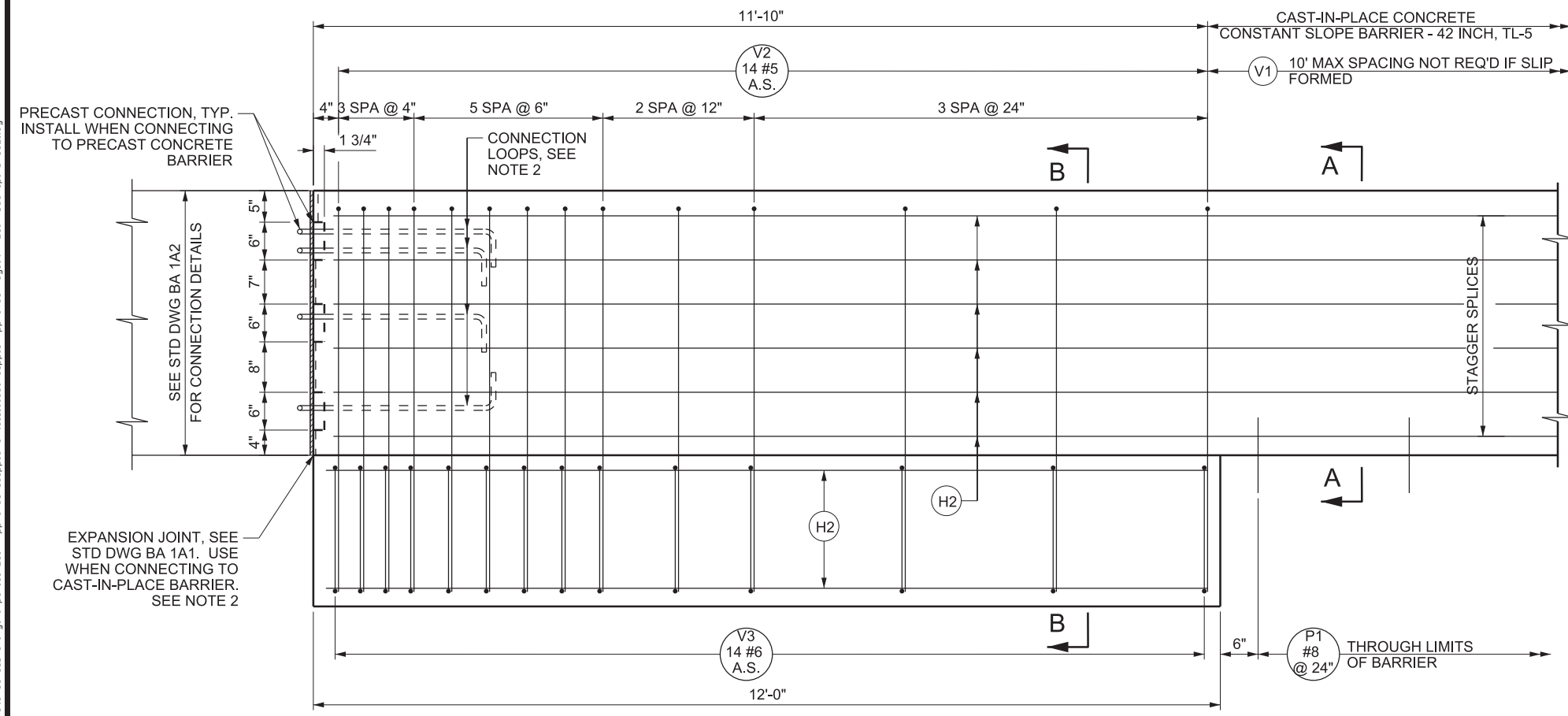
04-SEP-2019 D:\N:\Standard Drawings\Imperial\2017 Approved\Supplemental\Issues\SupplB Approved August - 2019\Backup\B03E1.dgn



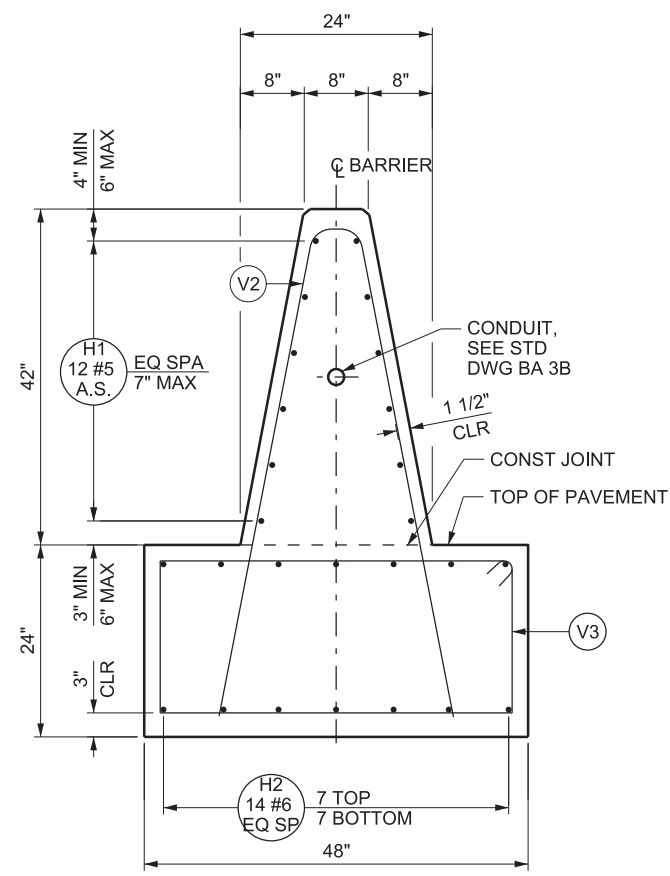
ELEVATION
BARRIER ON PCCP



SECTION A-A



ELEVATION
BARRIER ON HMA



SECTION B-B

NOTES:

1. SEE STD DWG BA 1A1 FOR GENERAL NOTES.
2. SEE "BARRIER CONNECTION DETAILS" ON STD DWG BA 1A2 FOR CONNECTION LOOP DETAILS.
3. SEE STD DWG BA 3E2 FOR STEPPED MEDIAN DETAILS AND REINFORCING STEEL SCHEDULE.
4. SEE STD DWG BA 3A2 FOR APPROACH AND TRAILING END TREATMENTS. NO EXPANSION JOINT REQUIRED.

SUPPLEMENTAL DRAWING

REVISIONS		NO.	DATE	APPR.	REMARKS
1	08/29/19	SDD			MOVED DESIGN ONLY NOTES TO RDM SHEETS.

UTAH DEPARTMENT OF TRANSPORTATION
STANDARD DRAWINGS FOR ROAD AND BRIDGE CONSTRUCTION
SALT LAKE CITY, UTAH

RECOMMENDED FOR APPROVAL: _____
CHAIRMAN STANDARDS COMMITTEE APPROVED

DATE: AUG. 29, 2019
DATE: AUG. 29, 2019

DEPUTY DIRECTOR: _____

CAST-IN-PLACE CONCRETE CONSTANT SLOPE BARRIER - 42 INCH, TL-5
1 OF 2

STANDARD DRAWING TITLE

STD. DWG. NO. **BA 3E1**