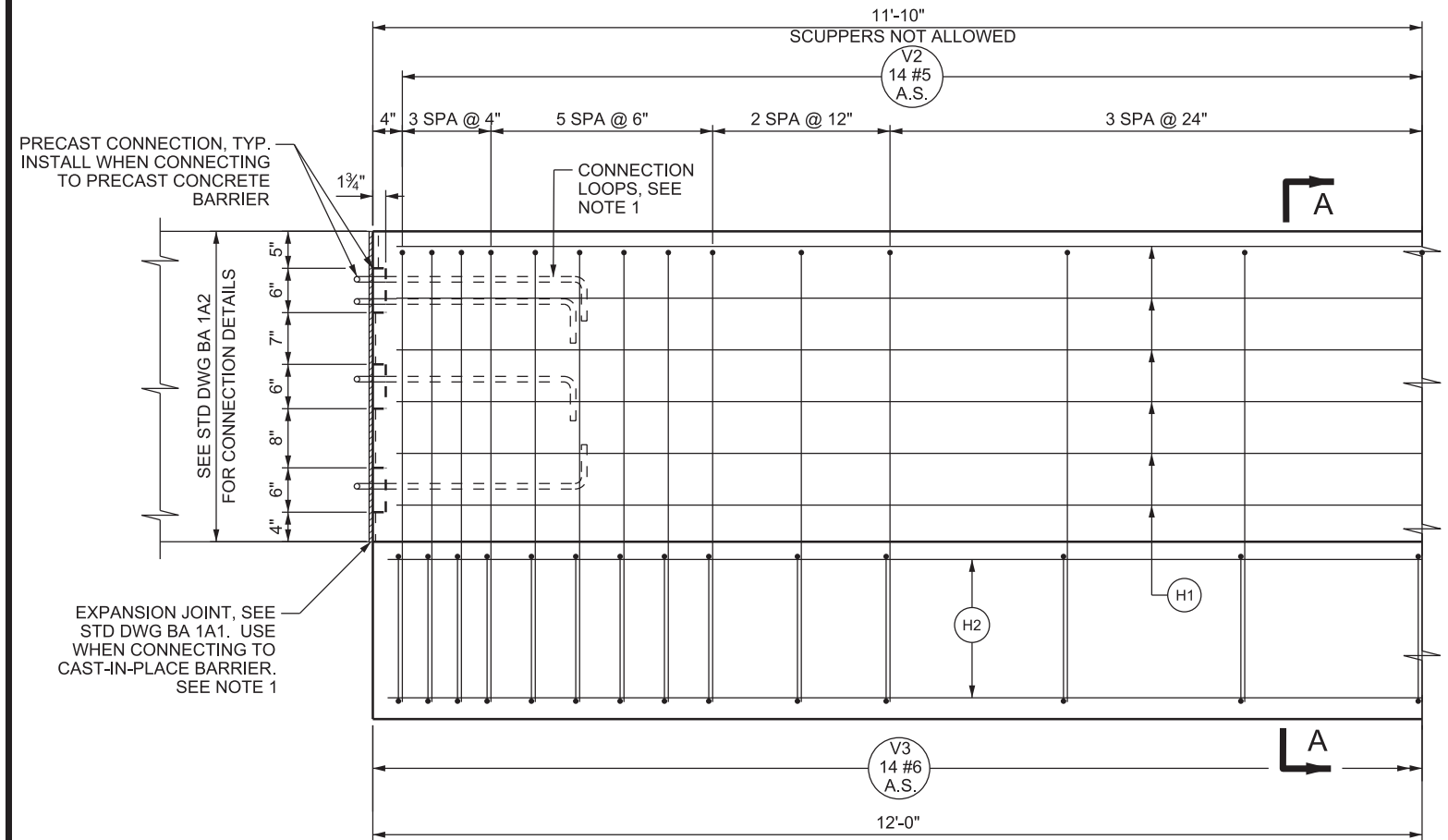
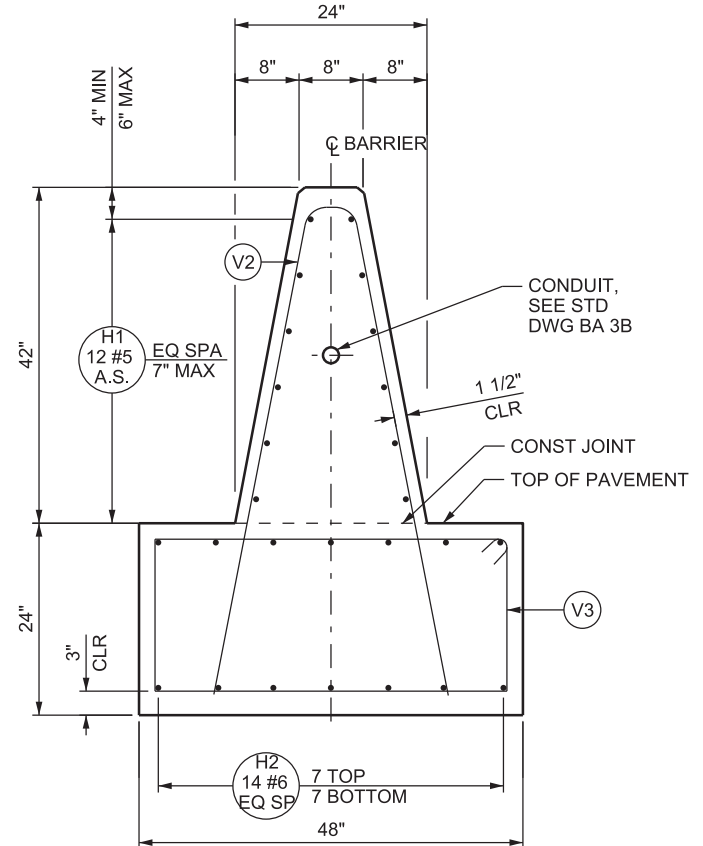


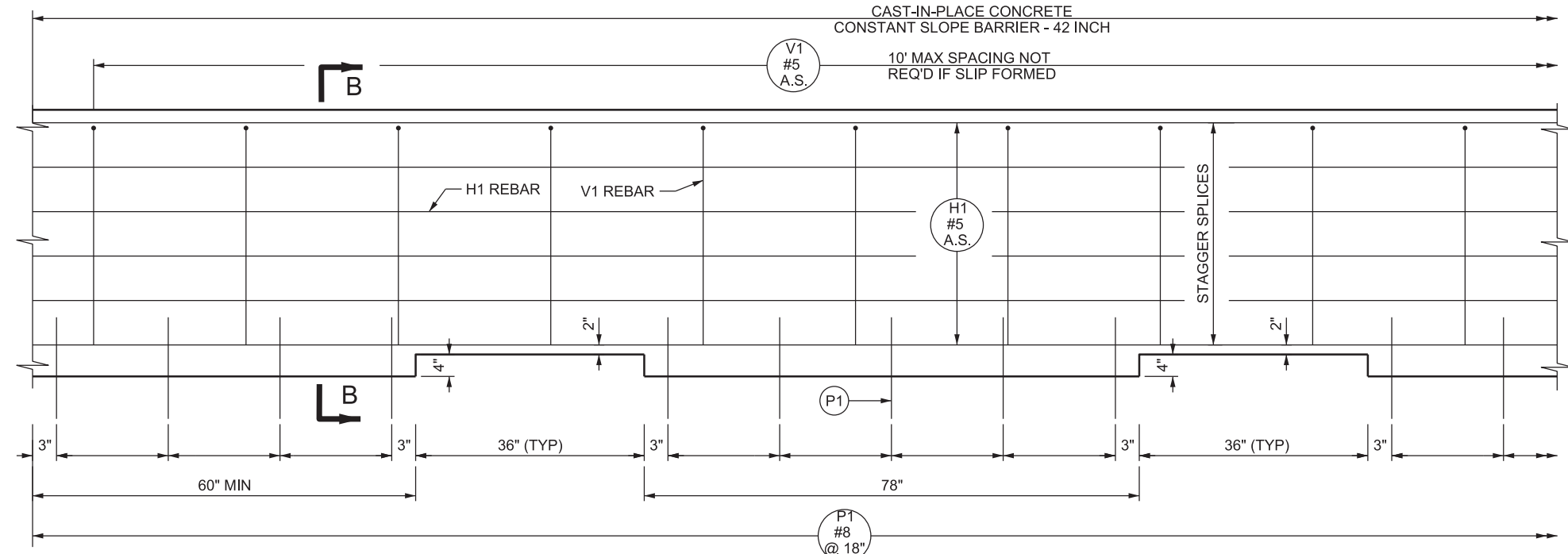
04-SEP-2019 DGN File: L:\Standard Drawings\Imperial\2017 Approved\Supplemental\Issues\SupplB Approved August - 2019\Backup\BA3E3.dgn



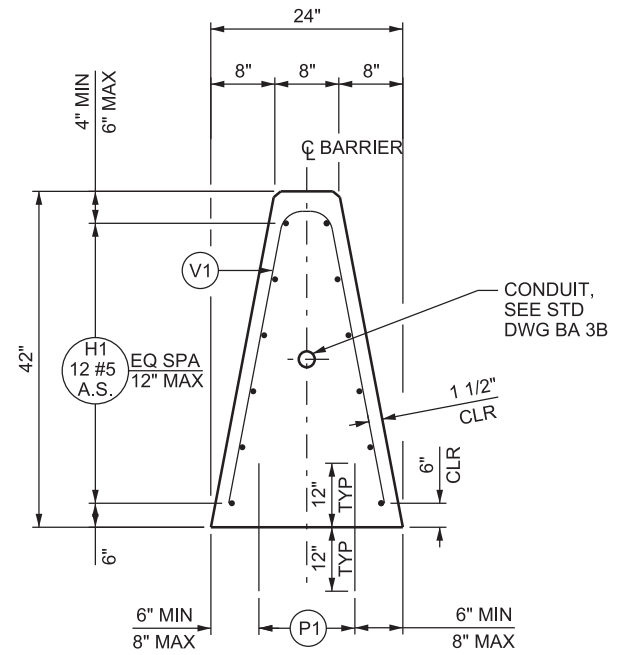
ELEVATION
BARRIER ON HMA SHOWN
SEE BA 3E1 FOR BARRIER ON PCCP



SECTION A-A



ELEVATION



SECTION B-B

NOTES:

1. SEE "BARRIER CONNECTION DETAILS" ON STD DWG BA 1A2 FOR CONNECTION LOOP DETAILS.
2. DRILL AND EPOXY BOND P1 BARS OR HAND POSITION WHILE CONCRETE IS IN A WORKABLE FORM WHEN USING PCCP PAVEMENT.
3. SEE STD DWG BA 3E2 FOR REINFORCING STEEL SCHEDULE AND NOTES.
4. DO NOT USE BARRIER SEAL WHEN SCUPPERS ARE PRESENT ON BARRIER.
5. SEE STD DWG BA 3A2 FOR APPROACH AND TRAILING END TREATMENTS. NO EXPANSION JOINT REQUIRED.
6. SEE STD DWG BA 1A1 FOR GENERAL NOTES.

SUPPLEMENTAL DRAWING

REVISIONS		NO.	DATE	APPR.	REMARKS
1	08/29/19				SDD MOVED DESIGN ONLY NOTES TO RDM SHEETS.

UTAH DEPARTMENT OF TRANSPORTATION
STANDARD DRAWINGS FOR ROAD AND BRIDGE CONSTRUCTION
SALT LAKE CITY, UTAH

RECOMMENDED FOR APPROVAL: _____
CHAIRMAN STANDARDS COMMITTEE APPROVED

DEPUTY DIRECTOR: _____

DATE: AUG. 29, 2019

CAST-IN-PLACE CONCRETE CONSTANT SLOPE BARRIER WITH SCUPPERS - 42 INCH, TL-5

STANDARD DRAWING TITLE

STD. DWG. NO. **BA 3E3**