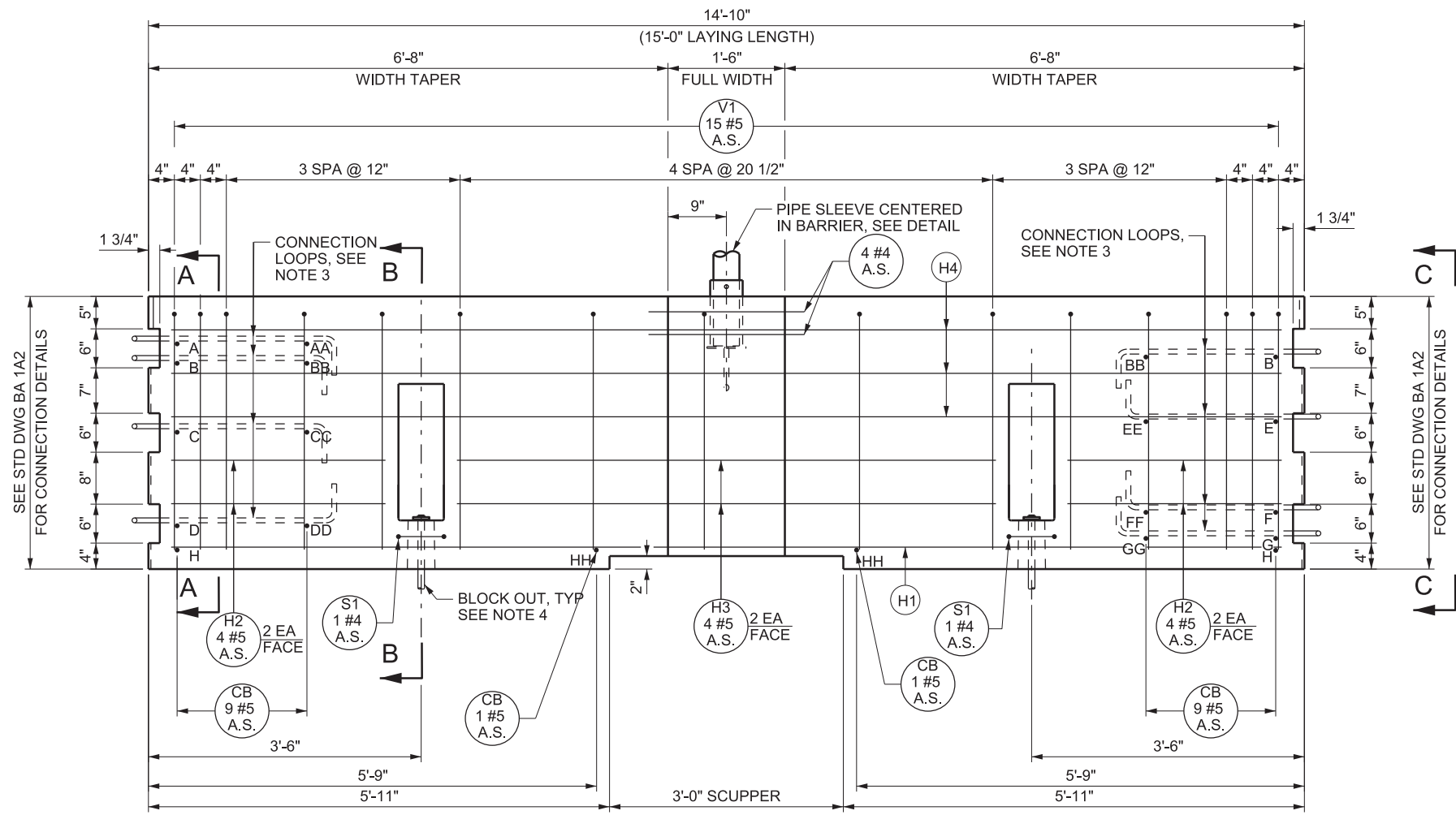
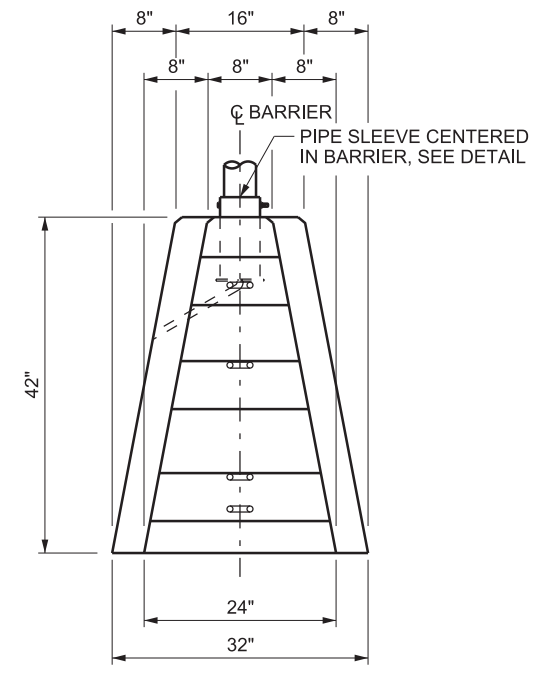


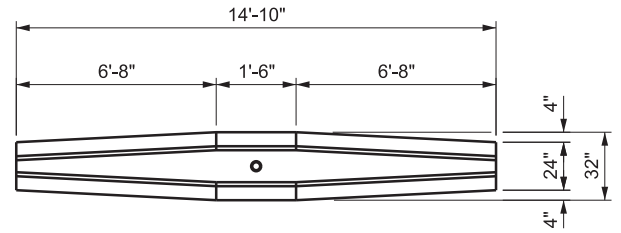
04-SEP-2019 D:\N:\Standard Drawings\Imperial\2017 Approved\Supplemental\Issues\SupplB Approved August - 2019\Backup\BA31.dgn



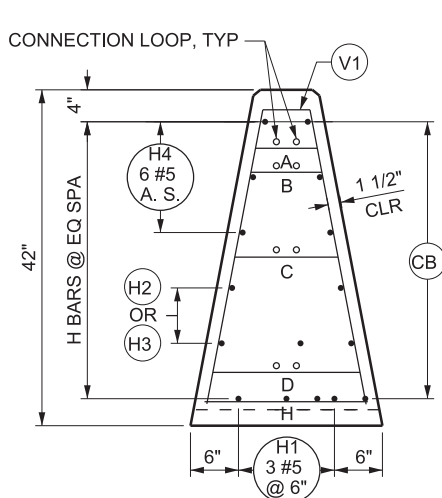
**ELEVATION**



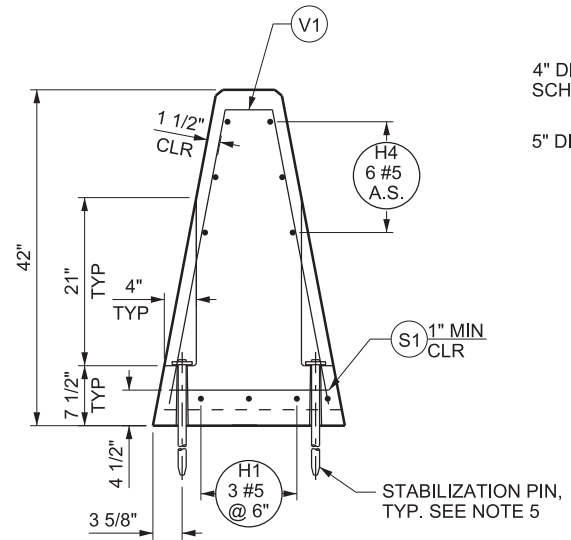
**VIEW C-C**



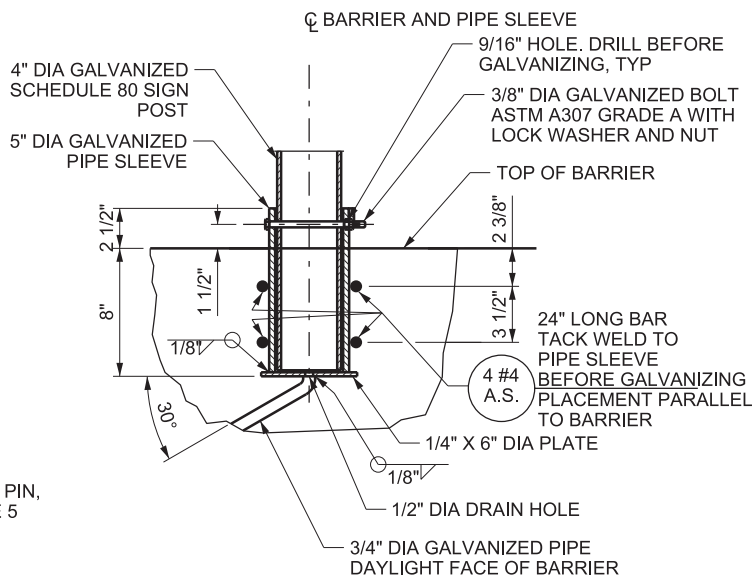
**PLAN**



**SECTION A-A**



**SECTION B-B**



**PIPE SLEEVE DETAIL**

- NOTES:**
- SEE STD DWG BA 1A1 AND BA 1A2 FOR GENERAL NOTES.
  - SEE DESIGN PLAN SET WHEN BARRIER SECTIONS WITH SCUPPERS ARE REQUIRED. DO NOT USE BARRIER SEAL WHEN SCUPPERS ARE PRESENT ON BARRIER.
  - SEE "BARRIER CONNECTION DETAILS" ON STD DWG BA 1A2 FOR CONNECTION LOOP DETAILS.
  - SEE "BARRIER BLOCK OUT AND STABILIZATION PIN" ON STD DWG BA 1A2 FOR DETAILS.
  - SEE SN SERIES STD DWG FOR SIGN MOUNTING, HARDWARE, AND PLACEMENT REQUIREMENTS. MAXIMUM SIGN PANEL AREA IS 36 SQ FT.
  - USE PIPES CONFORMING TO ASTM A 53 GRADE B, ASTM A 500 GRADE B, OR ASTM API 5L GRADE B/X42. GALVANIZE IN ACCORDANCE WITH ASTM A 123 AFTER FABRICATION IS COMPLETED.
  - SEE STD DWG BA 312 FOR REINFORCING STEEL SCHEDULE.
  - EACH BARRIER UNIT WEIGHS 6.6 TONS.

**SUPPLEMENTAL DRAWING**

<b>UTAH DEPARTMENT OF TRANSPORTATION</b>	
STANDARD DRAWINGS FOR ROAD AND BRIDGE CONSTRUCTION	
SALT LAKE CITY, UTAH	
RECOMMENDED FOR APPROVAL	APPROVED
CHAIRMAN STANDARDS COMMITTEE	DEPUTY DIRECTOR
DATE	DATE
AUG. 29, 2019	AUG. 29, 2019
NO. 1	
DATE	
APPR.	
REMARKS	
NO.	
DATE	
APPR.	
REMARKS	
NO.	
DATE	
APPR.	
REMARKS	
NO.	
DATE	
APPR.	
REMARKS	
NO.	
DATE	
APPR.	
REMARKS	
NO.	
DATE	
APPR.	
REMARKS	
NO.	
DATE	
APPR.	
REMARKS	
NO.	
DATE	
APPR.	
REMARKS	
NO.	
DATE	
APPR.	
REMARKS	
NO.	
DATE	
APPR.	
REMARKS	
NO.	
DATE	
APPR.	
REMARKS	
NO.	
DATE	
APPR.	
REMARKS	
NO.	
DATE	
APPR.	
REMARKS	
NO.	
DATE	
APPR.	
REMARKS	
NO.	
DATE	
APPR.	
REMARKS	
NO.	
DATE	
APPR.	
REMARKS	
NO.	
DATE	
APPR.	
REMARKS	
NO.	
DATE	
APPR.	
REMARKS	
NO.	
DATE	
APPR.	
REMARKS	
NO.	
DATE	
APPR.	
REMARKS	
NO.	
DATE	
APPR.	
REMARKS	
NO.	
DATE	
APPR.	
REMARKS	
NO.	
DATE	
APPR.	
REMARKS	
NO.	
DATE	
APPR.	
REMARKS	
NO.	
DATE	
APPR.	
REMARKS	
NO.	
DATE	
APPR.	
REMARKS	
NO.	
DATE	
APPR.	
REMARKS	
NO.	
DATE	
APPR.	
REMARKS	
NO.	
DATE	
APPR.	
REMARKS	
NO.	
DATE	
APPR.	
REMARKS	
NO.	
DATE	
APPR.	
REMARKS	
NO.	
DATE	
APPR.	
REMARKS	
NO.	
DATE	
APPR.	
REMARKS	
NO.	
DATE	
APPR.	
REMARKS	
NO.	
DATE	
APPR.	
REMARKS	
NO.	
DATE	
APPR.	
REMARKS	
NO.	
DATE	
APPR.	
REMARKS	
NO.	
DATE	
APPR.	
REMARKS	
NO.	
DATE	
APPR.	
REMARKS	
NO.	
DATE	
APPR.	
REMARKS	
NO.	
DATE	
APPR.	
REMARKS	
NO.	
DATE	
APPR.	
REMARKS	
NO.	
DATE	
APPR.	
REMARKS	
NO.	
DATE	
APPR.	
REMARKS	
NO.	
DATE	
APPR.	
REMARKS	
NO.	
DATE	
APPR.	
REMARKS	
NO.	
DATE	
APPR.	
REMARKS	
NO.	
DATE	
APPR.	
REMARKS	
NO.	
DATE	
APPR.	
REMARKS	
NO.	
DATE	
APPR.	
REMARKS	
NO.	
DATE	
APPR.	
REMARKS	
NO.	
DATE	
APPR.	
REMARKS	
NO.	
DATE	
APPR.	
REMARKS	
NO.	
DATE	
APPR.	
REMARKS	
NO.	
DATE	
APPR.	
REMARKS	
NO.	
DATE	
APPR.	
REMARKS	
NO.	
DATE	
APPR.	
REMARKS	
NO.	
DATE	
APPR.	
REMARKS	
NO.	
DATE	
APPR.	
REMARKS	
NO.	
DATE	
APPR.	
REMARKS	
NO.	
DATE	
APPR.	
REMARKS	
NO.	
DATE	
APPR.	
REMARKS	
NO.	
DATE	
APPR.	
REMARKS	
NO.	
DATE	
APPR.	
REMARKS	
NO.	
DATE	
APPR.	
REMARKS	
NO.	
DATE	
APPR.	
REMARKS	
NO.	
DATE	
APPR.	
REMARKS	
NO.	
DATE	
APPR.	
REMARKS	
NO.	
DATE	
APPR.	
REMARKS	
NO.	
DATE	
APPR.	
REMARKS	
NO.	
DATE	
APPR.	
REMARKS	
NO.	
DATE	
APPR.	
REMARKS	
NO.	
DATE	
APPR.	
REMARKS	
NO.	
DATE	
APPR.	
REMARKS	
NO.	
DATE	
APPR.	
REMARKS	
NO.	
DATE	
APPR.	
REMARKS	
NO.	
DATE	
APPR.	
REMARKS	
NO.	
DATE	
APPR.	
REMARKS	
NO.	
DATE	
APPR.	
REMARKS	
NO.	
DATE	
APPR.	
REMARKS	
NO.	
DATE	
APPR.	
REMARKS	
NO.	
DATE	
APPR.	
REMARKS	
NO.	
DATE	
APPR.	
REMARKS	
NO.	
DATE	
APPR.	
REMARKS	
NO.	
DATE	
APPR.	
REMARKS	
NO.	
DATE	
APPR.	
REMARKS	
NO.	
DATE	
APPR.	
REMARKS	
NO.	
DATE	
APPR.	
REMARKS	
NO.	
DATE	
APPR.	
REMARKS	
NO.	
DATE	
APPR.	
REMARKS	
NO.	
DATE	
APPR.	
REMARKS	
NO.	
DATE	
APPR.	
REMARKS	
NO.	
DATE	
APPR.	
REMARKS	
NO.	
DATE	
APPR.	
REMARKS	
NO.	
DATE	
APPR.	
REMARKS	
NO.	
DATE	
APPR.	
REMARKS	
NO.	
DATE	
APPR.	
REMARKS	
NO.	
DATE	
APPR.	
REMARKS	
NO.	
DATE	
APPR.	
REMARKS	
NO.	
DATE	
APPR.	
REMARKS	
NO.	
DATE	
APPR.	
REMARKS	
NO.	
DATE	
APPR.	
REMARKS	
NO.	
DATE	
APPR.	
REMARKS	
NO.	
DATE	
APPR.	
REMARKS	
NO.	
DATE	
APPR.	
REMARKS	
NO.	
DATE	
APPR.	
REMARKS	
NO.	
DATE	
APPR.	
REMARKS	
NO.	