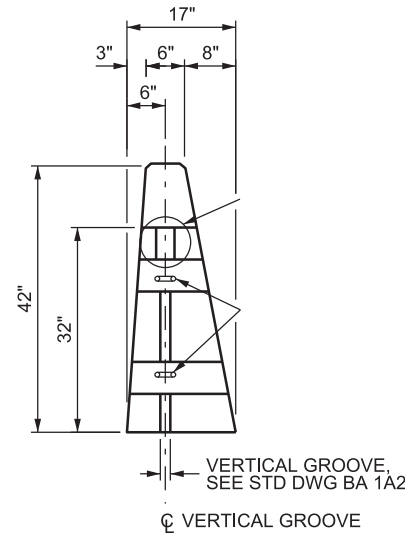
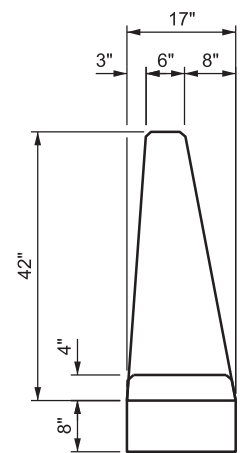


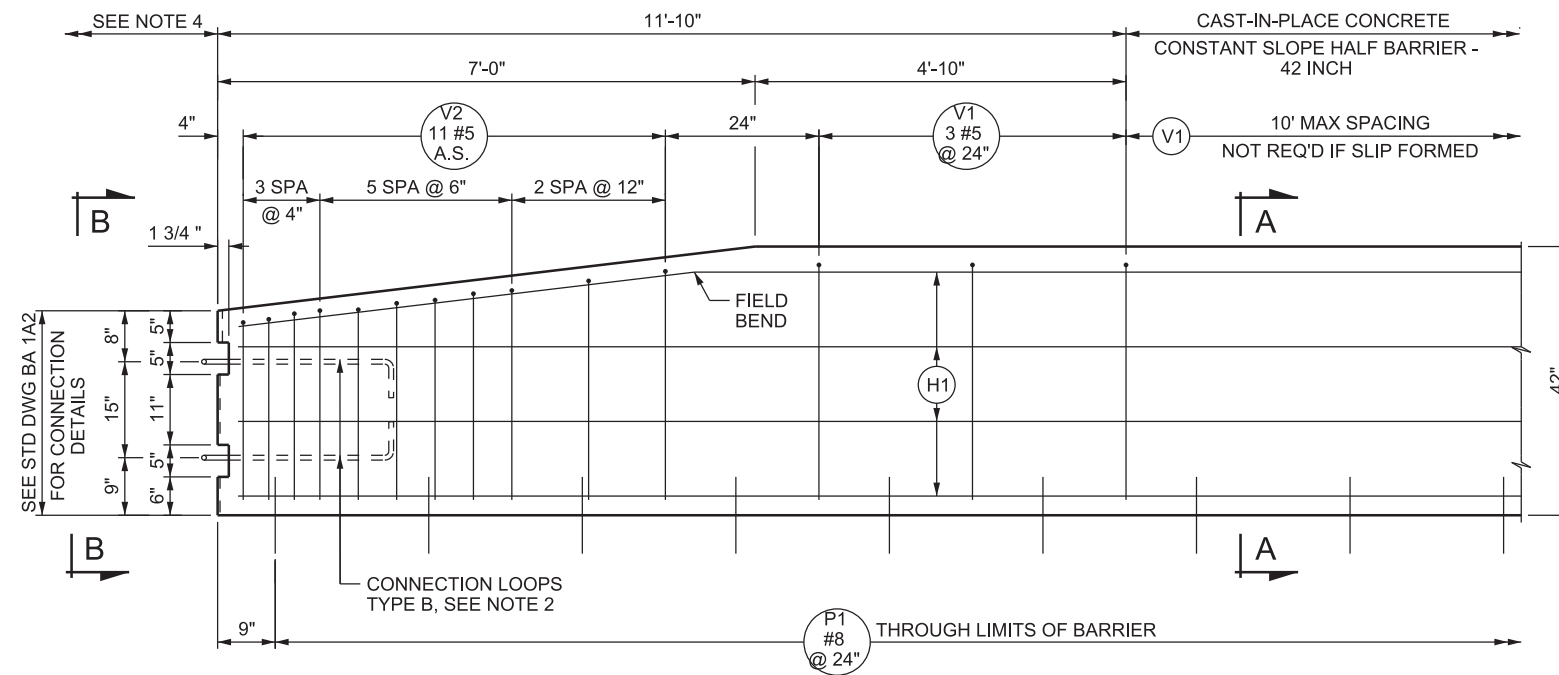
04-SEP-2019 DCN File: L:\Standard Drawings\Imperial\2017 Approved\Supplemental_Issues\SupplB Approved August - 2019\Backup\B03K3.dgn



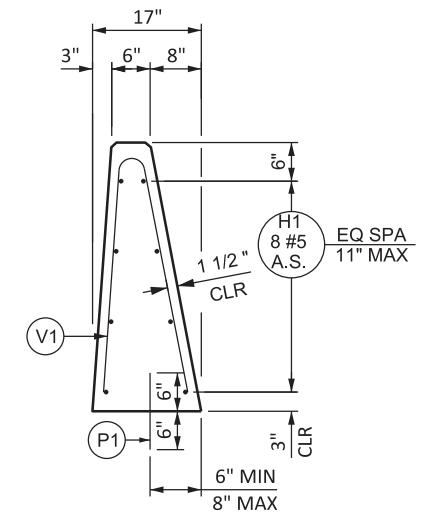
VIEW B-B



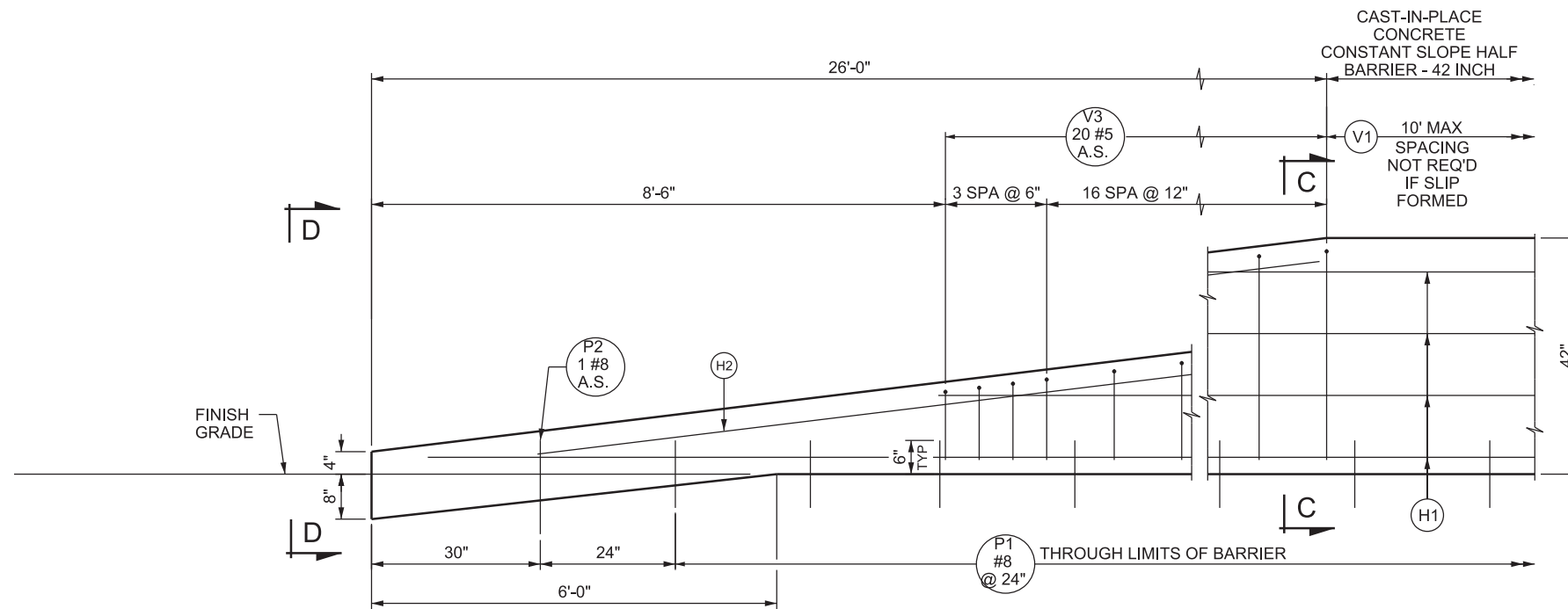
VIEW D-D



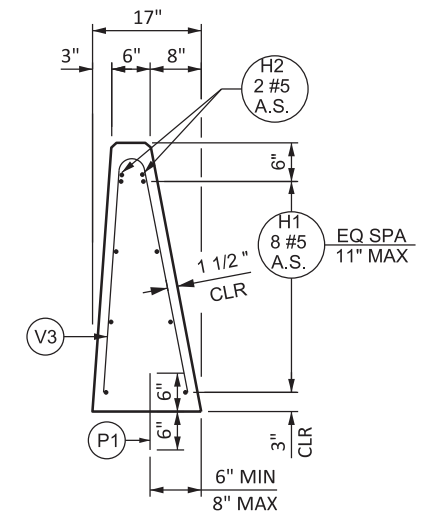
ELEVATION - APPROACH END SECTION



SECTION A - A



ELEVATION - TRAILING SLOPED END SECTION



SECTION C - C

NOTES

1. SEE STD DWG BA 1A1 FOR GENERAL NOTES.
2. SEE "BARRIER CONNECTION DETAILS" ON STD DWG BA 1A2 FOR CONNECTION LOOP DETAILS.
3. SEE STD DWG BA 3K4 FOR REINFORCING STEEL SCHEDULE AND NOTES.

SUPPLEMENTAL DRAWING

REVISIONS		DATE	APPR.	REMARKS
1	08/29/19			DELETED DESIGN ONLY NOTES.

UTAH DEPARTMENT OF TRANSPORTATION
STANDARD DRAWINGS FOR ROAD AND BRIDGE CONSTRUCTION
SALT LAKE CITY, UTAH

RECOMMENDED FOR APPROVAL
CHAIRMAN STANDARDS COMMITTEE
APPROVED

DATE: AUG. 29, 2019
DATE: AUG. 29, 2019

DEPUTY DIRECTOR

**CAST-IN-PLACE
CONCRETE CONSTANT
SLOPE HALF BARRIER -
42 INCH**

STANDARD DRAWING TITLE
STD. DWG. NO.
BA 3K3