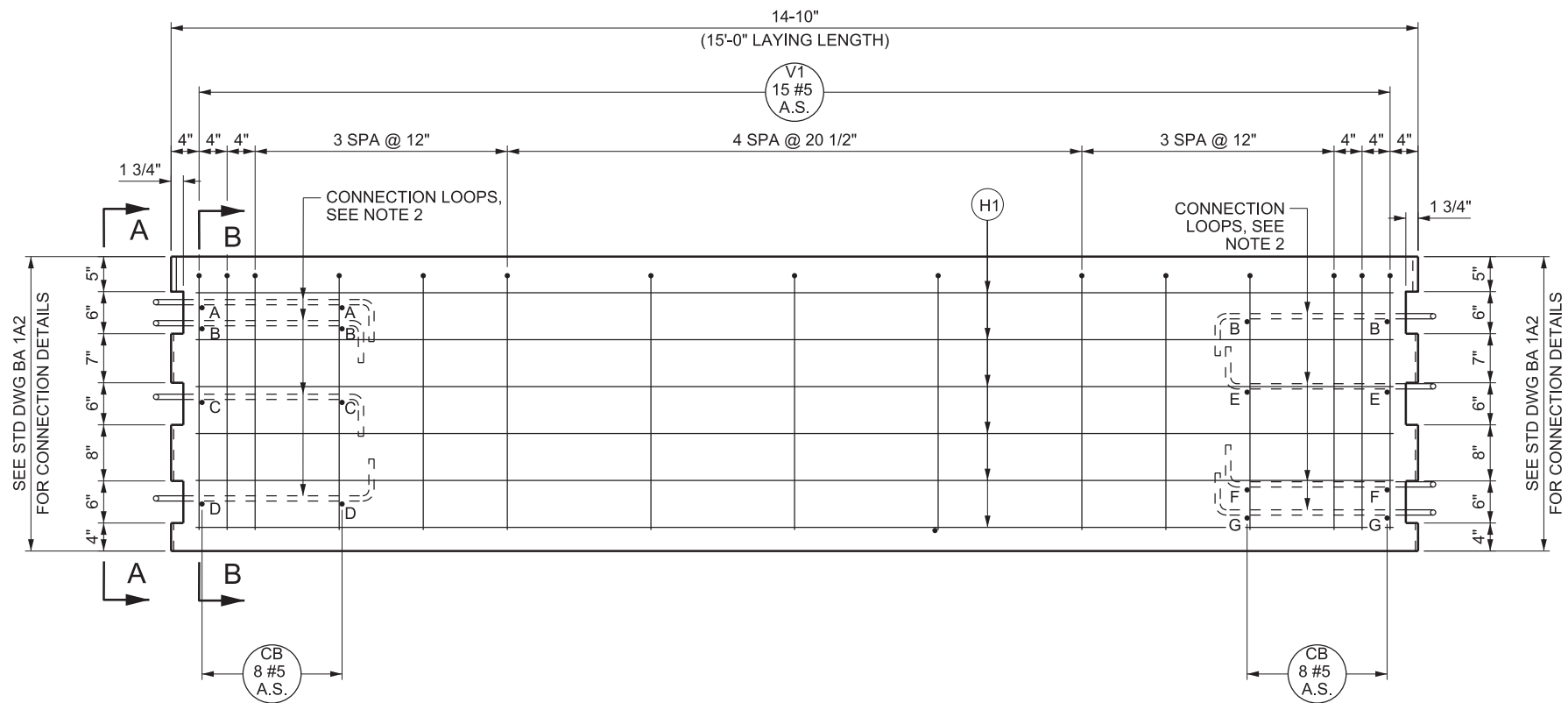
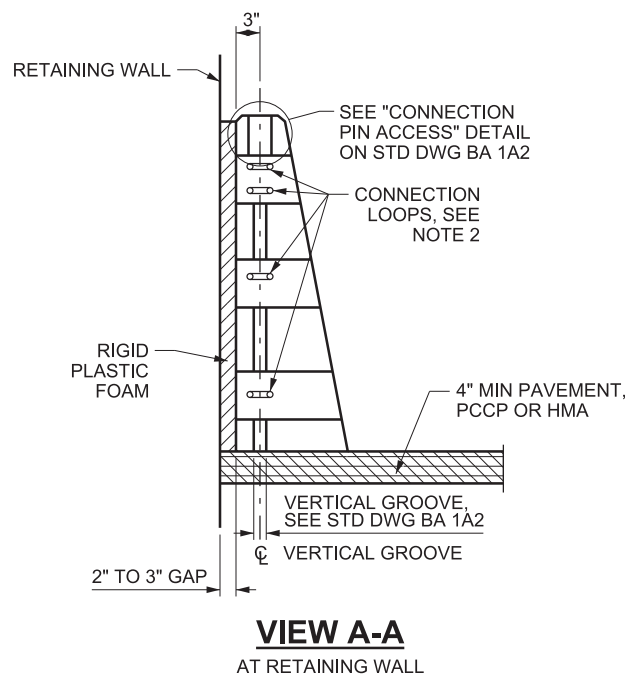


D:\N\_Files\Standard Drawings\Imperial\2817 Approved\_Suppl\Issues\SupplB Approved August - 2019\Backup\BA3L.dgn 04-SEP-2019

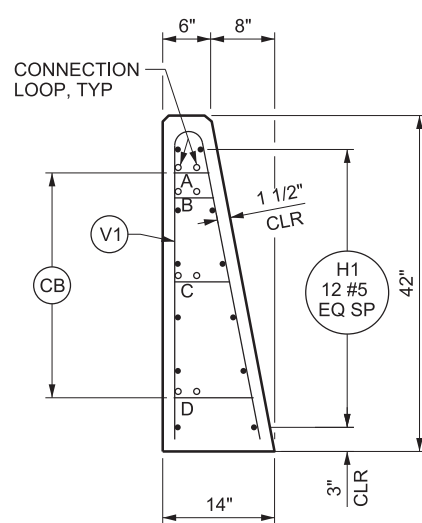


**ELEVATION**

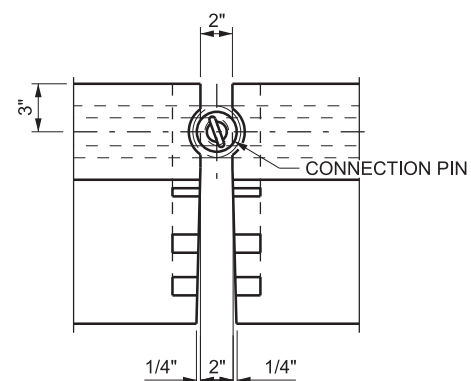
BAR MARK	BAR SIZE	NO. BARS	LOCATION	SKETCH		
				ID	L	QTY
H1	#5	12	HORIZONTAL IN BARRIER TIED INSIDE V1 BARS	14'-3"		
CB	#4	16	CROSS BARS (CB) TIED TO V1 BARS	A	4 1/2"	2
				B	5"	4
				C	7"	2
				D	10"	2
				E	6 1/2"	2
				F	9 1/2"	2
				G	10"	2
V1	#5	15	VERTICAL IN BARRIER			
TOTAL LENGTH: OPTION 1 = 6'-7 5/8" OPTION 2 = 7'-4 3/8"						



**VIEW A-A**  
AT RETAINING WALL



**SECTION B-B**



**PARTIAL PLAN**

- NOTES:**
- SEE STD DWG BA 1A1 AND BA 1A2 FOR GENERAL NOTES.
  - SEE "BARRIER CONNECTION DETAILS" ON STD DWG BA 1A2 FOR CONNECTION LOOP DETAILS.
  - DO NOT USE AS RETAINING BARRIER. REFER TO STD DWG BA 1C FOR RETAINING BARRIER APPLICATIONS.
  - USE ONLY IN FRONT OF A RETAINING WALL. DO NOT USE IN A WORK ZONE APPLICATION.
  - EACH BARRIER UNIT WEIGHS 3.2 TONS.

**SUPPLEMENTAL DRAWING**

REVISIONS			
NO.	DATE	APPR.	REMARKS
1	08/29/19	SDD	MODIFIED DESIGN ONLY NOTES TO NOTES.

**UTAH DEPARTMENT OF TRANSPORTATION**  
STANDARD DRAWINGS FOR ROAD AND BRIDGE CONSTRUCTION  
SALT LAKE CITY, UTAH

RECOMMENDED FOR APPROVAL: \_\_\_\_\_ DATE: AUG. 29, 2019  
CHAIRMAN STANDARDS COMMITTEE: \_\_\_\_\_ DATE: AUG. 29, 2019  
APPROVED: \_\_\_\_\_ DEPUTY DIRECTOR

**PRECAST  
CONCRETE CONSTANT  
SLOPE HALF BARRIER -  
42 INCH**

STD. DWG. NO.  
**BA 3L**

STANDARD DRAWING TITLE