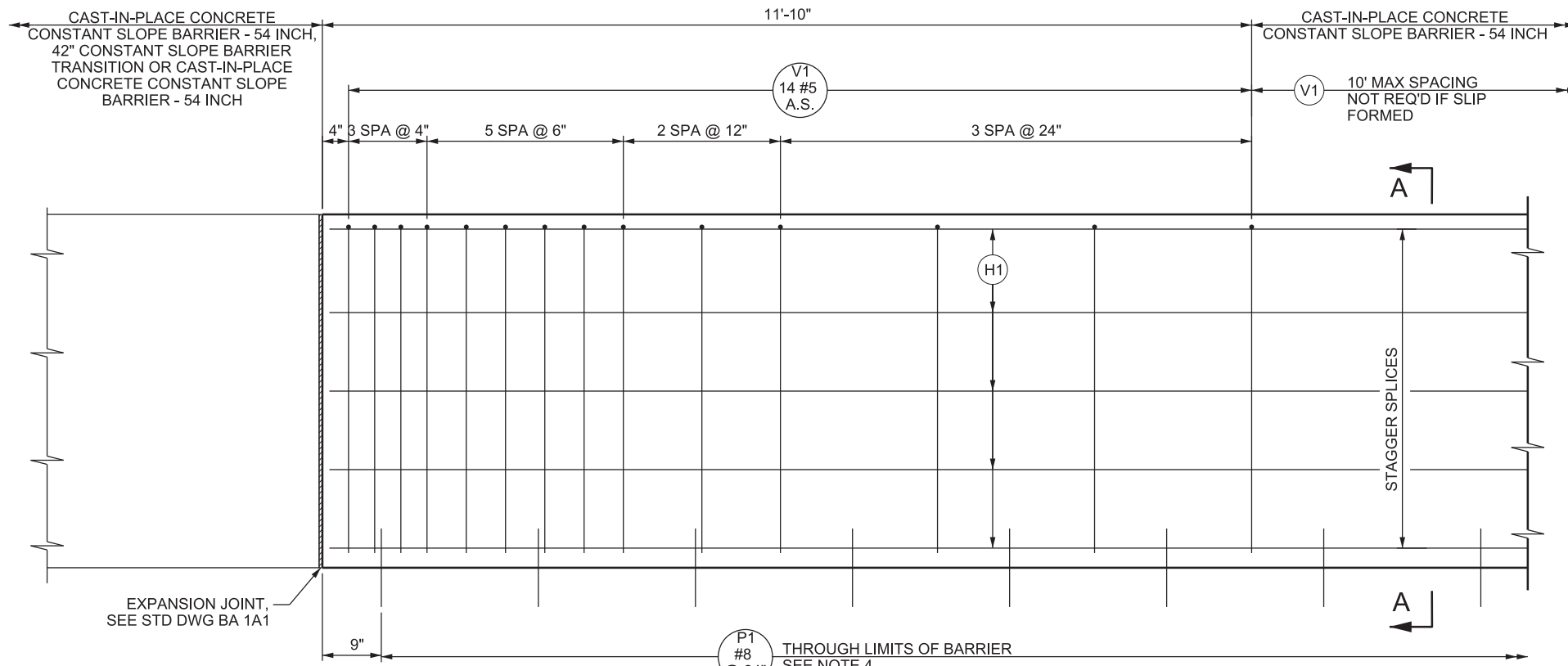
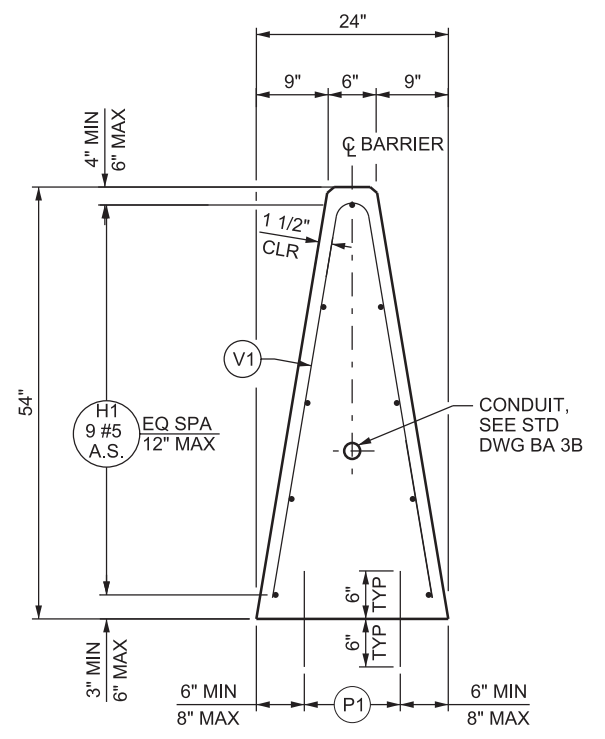


D:\N\Standard Drawings\Imperial\2017 Approved\Supplemental\Issues\SupplB Approved August - 2019\Backup\B3023R1.dgn
 04-SEP-2019

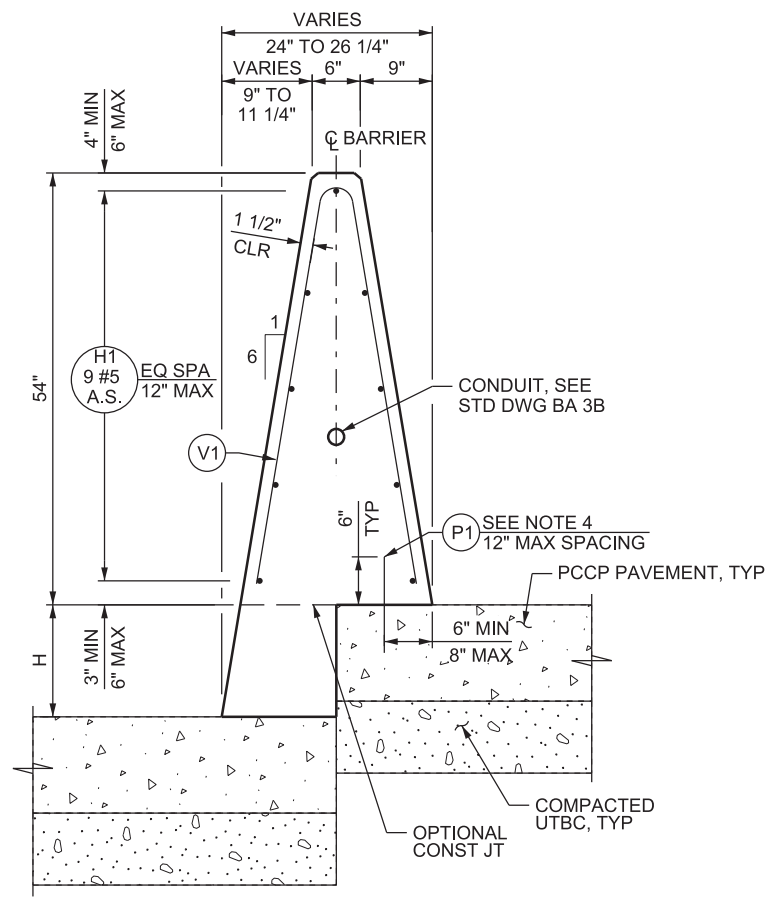


ELEVATION

54" CONSTANT SLOPE BARRIER SHOWN, STEPPED MEDIAN BARRIER SIMILAR

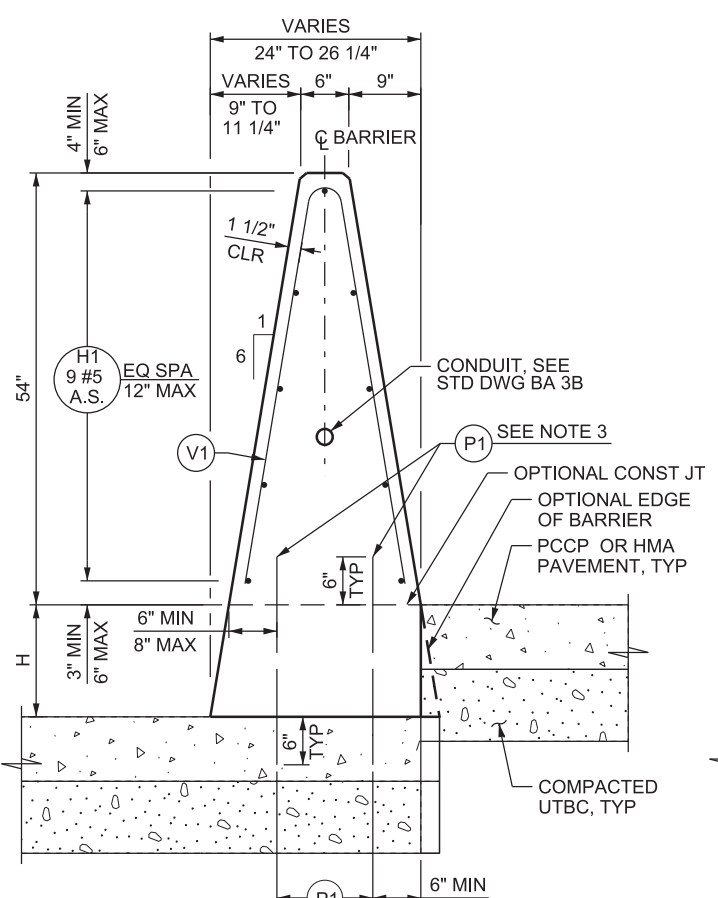


SECTION A-A



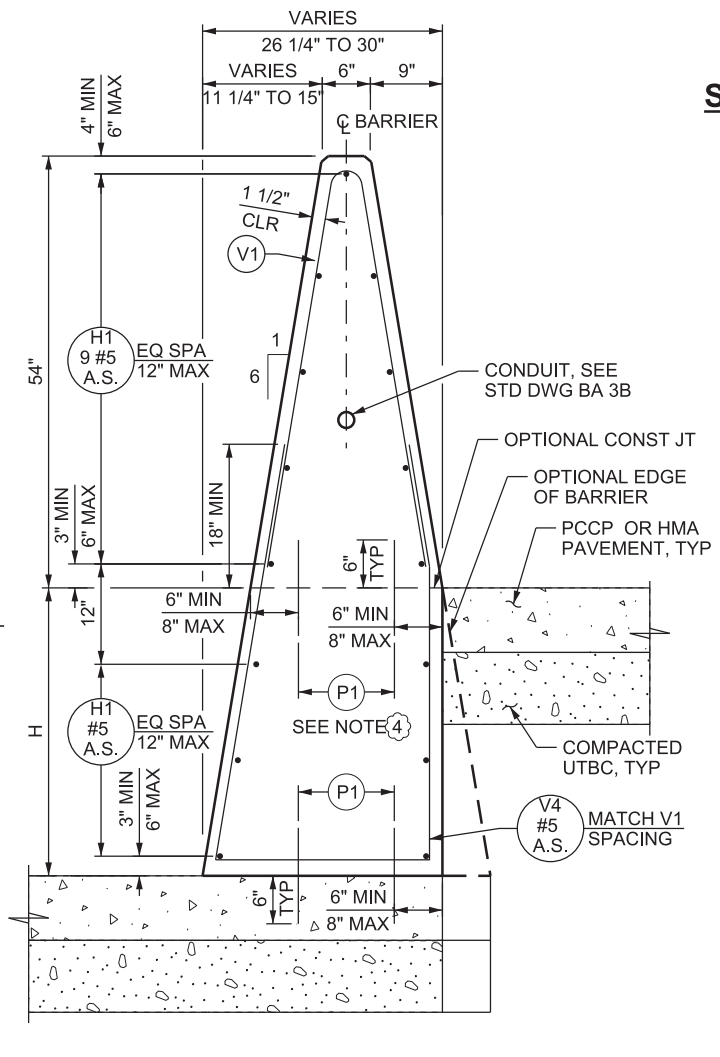
STEPPED MEDIAN BARRIER

H = 0 INCH TO 14 INCH (PCCP ONLY)



STEPPED MEDIAN BARRIER

H = 0 INCH TO 14 INCH (PCCP OR HMA)



STEPPED MEDIAN BARRIER

H = 14 INCH TO 36 INCH

- NOTES:**
- SEE STD DWG BA 1A1 FOR GENERAL NOTES.
 - V4 BAR SPACING MATCHES V1 SPACING SHOWN IN ELEVATION.
 - P1 BARS THROUGH THE OPTIONAL CONSTRUCTION JOINT ARE NOT REQUIRED IF THE CONSTRUCTION JOINT IS NOT USED OR IF V4 BAR IS PRESENT.
 - USE A MAXIMUM OF 12 INCH SPACING FOR P1 BARS. SEE STEPPED MEDIAN BARRIER DETAILS FOR APPLICABLE LOCATION.

REVISIONS		MODIFIED DESIGN ONLY NOTES TO NOTES.	
NO.	DATE	APPR.	REMARKS
1	08/29/19	SDD	

UTAH DEPARTMENT OF TRANSPORTATION
 STANDARD DRAWINGS FOR ROAD AND BRIDGE CONSTRUCTION
 SALT LAKE CITY, UTAH

RECOMMENDED FOR APPROVAL: *[Signature]*
 CHAIRMAN STANDARDS COMMITTEE APPROVED
 DEPUTY DIRECTOR

DATE: AUG. 29, 2019
 DATE: AUG. 29, 2019

CAST-IN-PLACE CONCRETE CONSTANT SLOPE BARRIER - 54 INCH
 1 OF 3
 STANDARD DRAWING TITLE

STD. DWG. NO.

BA 3M1

SUPPLEMENTAL DRAWING