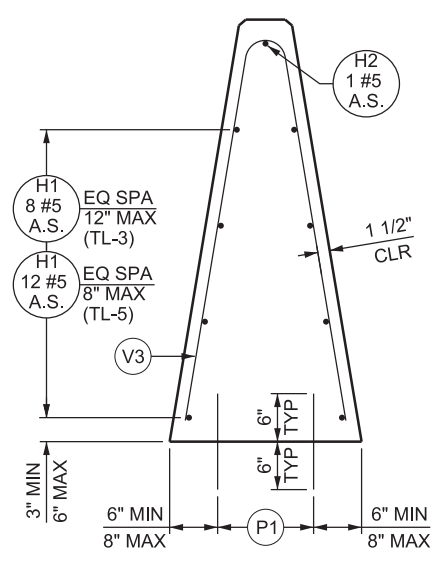
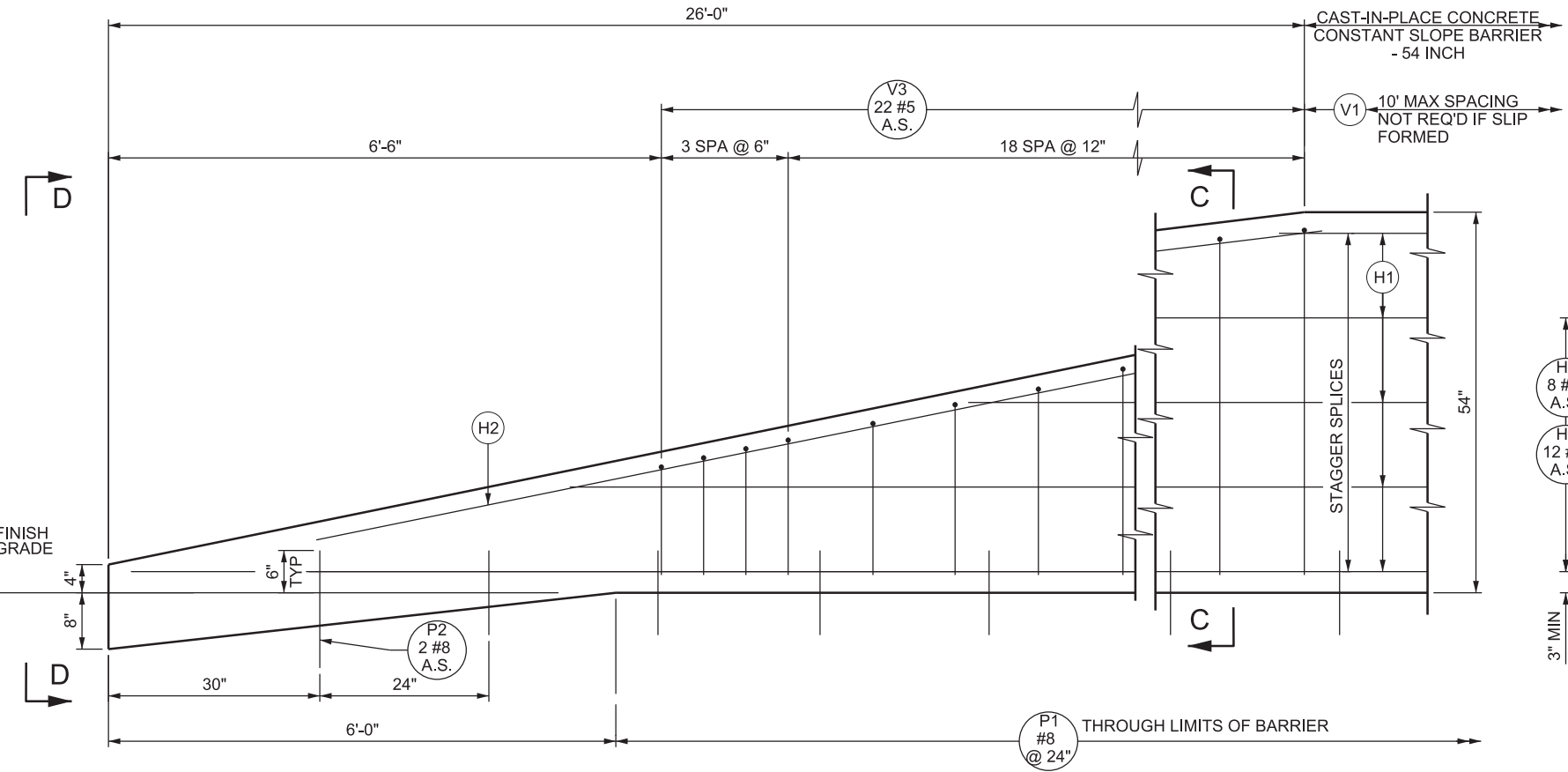
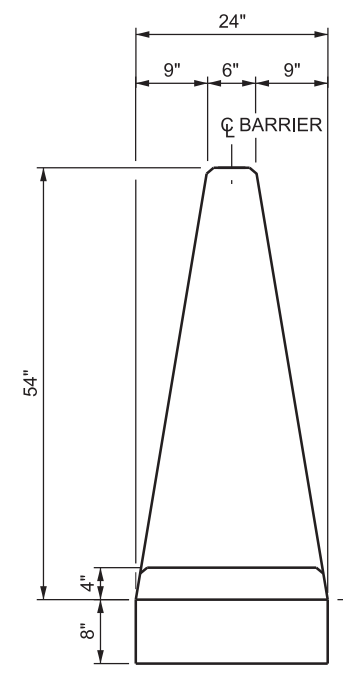
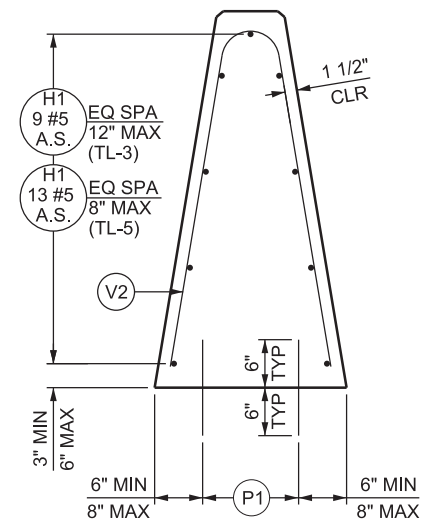
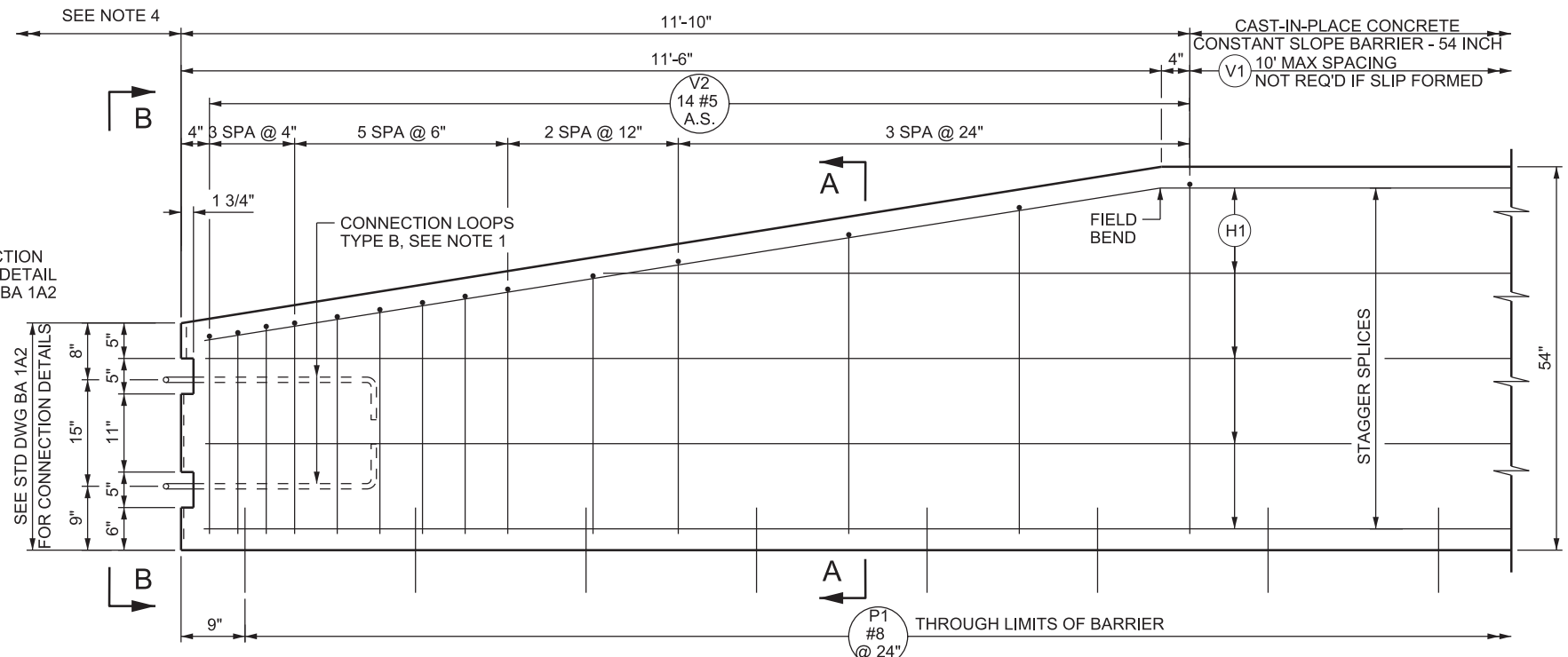
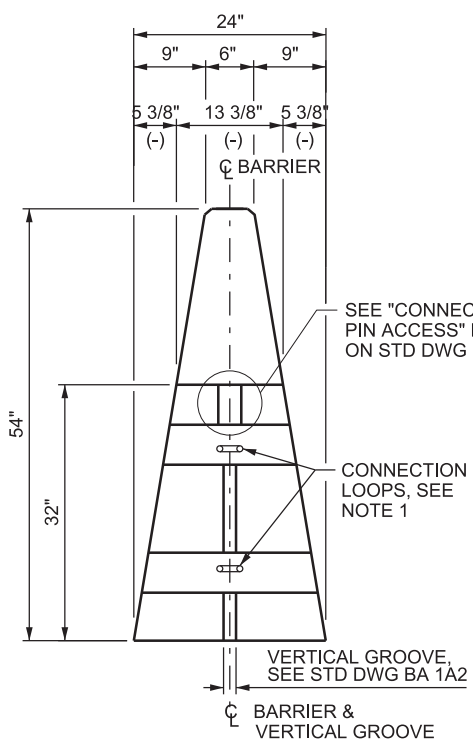


04-SEP-2019 DCN File: L:\Standard Drawings\Imperial\2017 Approved\Supplemental_Issues\SupplB Approved August - 2019\Backup\BAG3M2.dgn



- NOTES:**
- SEE "BARRIER CONNECTION DETAIL" ON STD DWG BA 1A2 FOR CONNECTION LOOP DETAILS.
 - USE H1 AND P1 BARS CONSISTENT WITH THE TEST LEVEL RATING OF ADJACENT BARRIER.

SUPPLEMENTAL DRAWING

REVISIONS		DELETED DESIGN ONLY NOTES.	
NO.	DATE	APPR.	REMARKS
1	08/29/19	SDD	

UTAH DEPARTMENT OF TRANSPORTATION
STANDARD DRAWINGS FOR ROAD AND BRIDGE CONSTRUCTION
SALT LAKE CITY, UTAH

RECOMMENDED FOR APPROVAL: *[Signature]*
CHAIRMAN STANDARDS COMMITTEE APPROVED
DEPUTY DIRECTOR

DATE: AUG. 29, 2019
DATE: AUG. 29, 2019

CAST-IN-PLACE CONCRETE CONSTANT SLOPE BARRIER - 54 INCH
2 OF 3

STANDARD DRAWING TITLE

STD. DWG. NO. **BA 3M2**