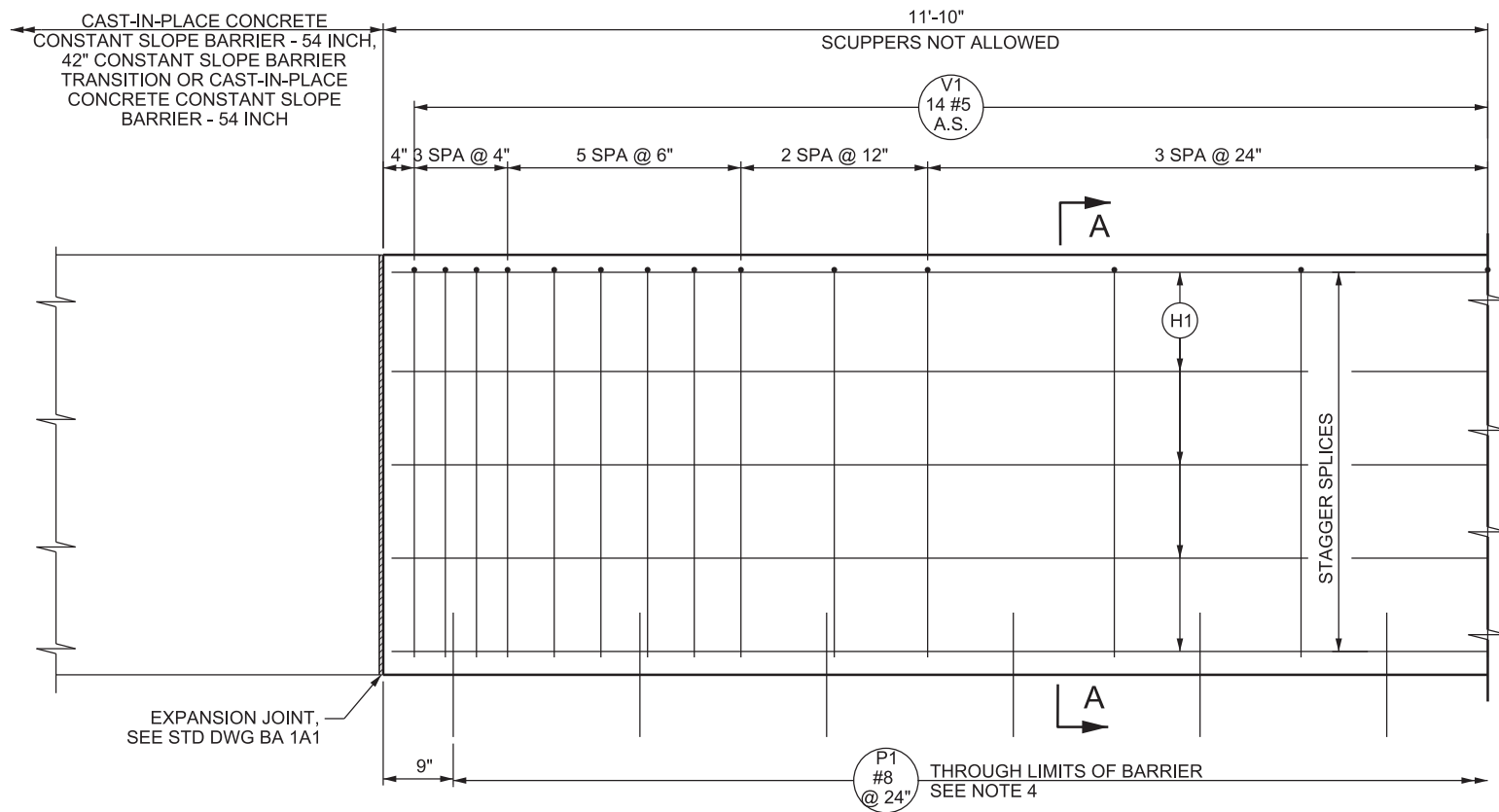
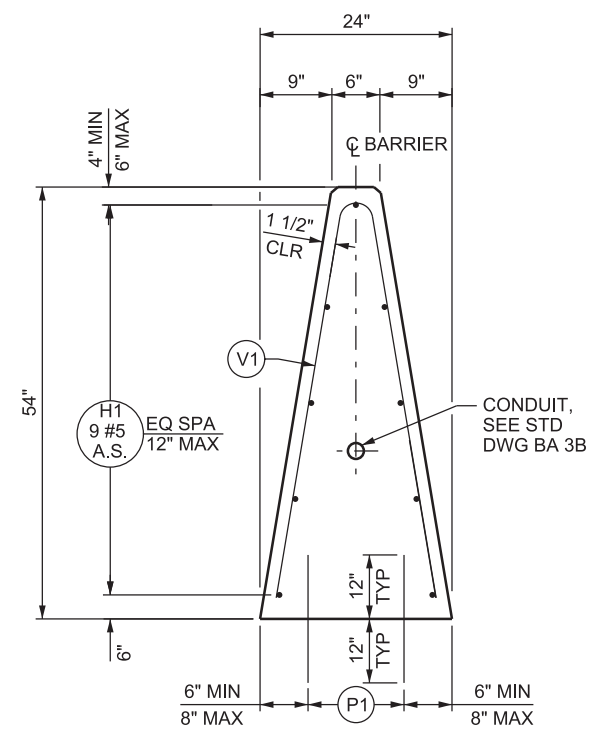


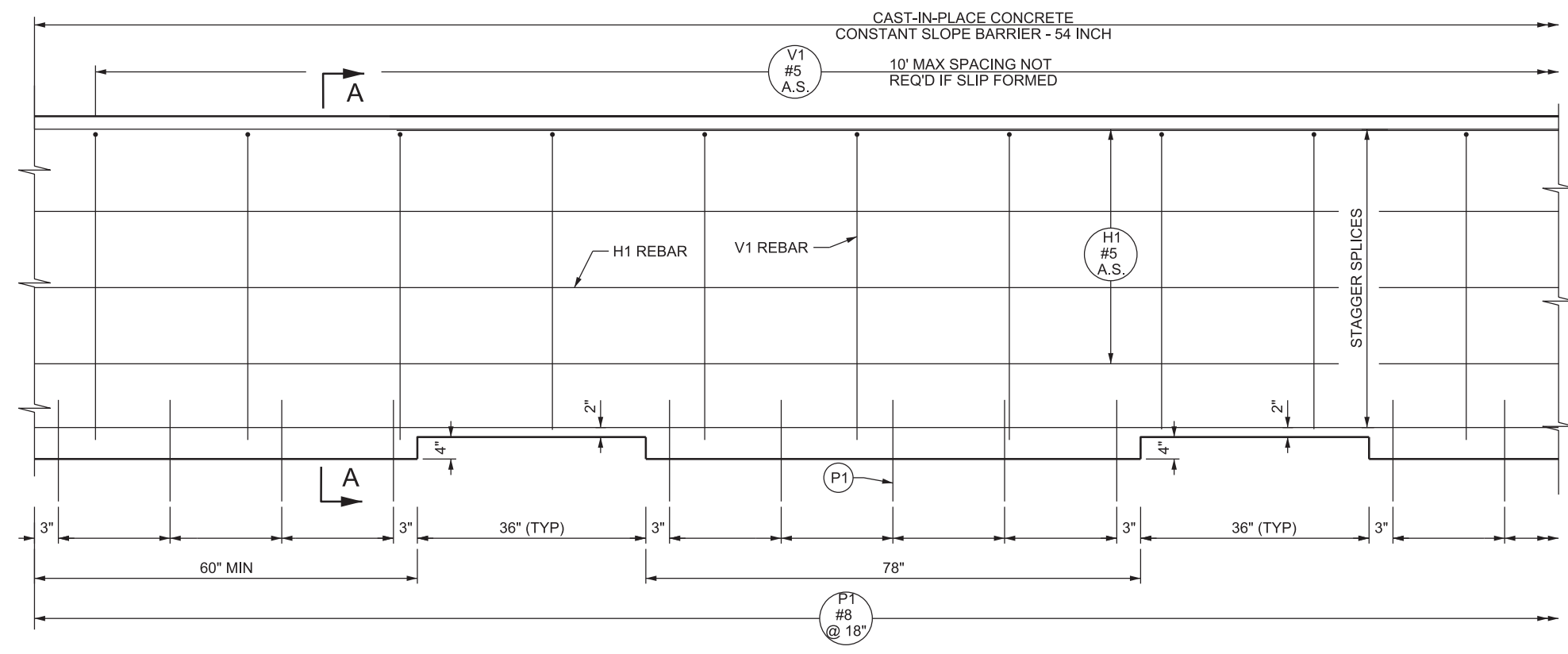
04-SEP-2019 D:\N:\Standard Drawings\Imperial\2017 Approved\Supplemental\Issues\SupplB Approved August - 2019\Backup\B0234.dgn



ELEVATION



SECTION A-A



ELEVATION

NOTES:

1. SEE "BARRIER CONNECTION DETAILS" ON STD DWG BA 1A2 FOR CONNECTION LOOP DETAILS.
2. DRILL AND EPOXY BOND P1 BARS OR HAND POSITION WHILE CONCRETE IS IN A WORKABLE FORM WHEN USING PCCP PAVEMENT.
3. SEE STD DWG BA 3M3 FOR REINFORCING STEEL SCHEDULE AND NOTES.
4. DO NOT USE BARRIER SEAL WHEN SCUPPERS ARE PRESENT ON BARRIER.
5. SEE STD DWG BA 3A2 FOR APPROACH AND TRAILING END TREATMENTS. NO EXPANSION JOINT REQUIRED.
6. SEE STD DWG BA 1A1 FOR GENERAL NOTES.

SUPPLEMENTAL DRAWING

REVISIONS		MODIFIED DESIGN ONLY NOTES TO NOTES.	
NO.	DATE	APPR.	REMARKS
1	08/29/19	SDD	

UTAH DEPARTMENT OF TRANSPORTATION
STANDARD DRAWINGS FOR ROAD AND BRIDGE CONSTRUCTION
SALT LAKE CITY, UTAH

RECOMMENDED FOR APPROVAL: _____ DATE: AUG. 29, 2019
 CHAIRMAN STANDARDS COMMITTEE: _____ DATE: AUG. 29, 2019
 APPROVED: _____ DEPUTY DIRECTOR

CAST-IN-PLACE CONCRETE CONSTANT SLOPE BARRIER WITH SCUPPERS - 54 INCH

STANDARD DRAWING TITLE

STD. DWG. NO. BA 3M4