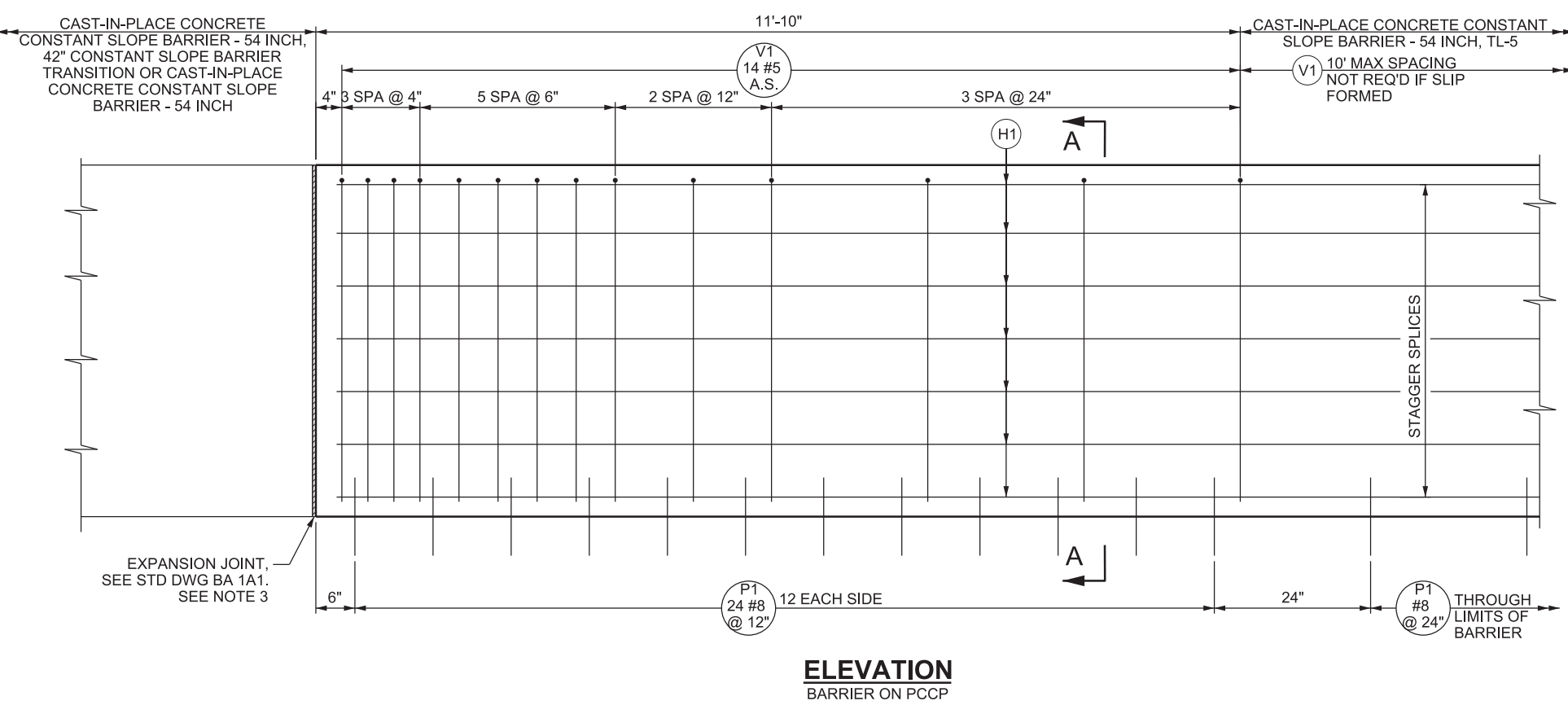
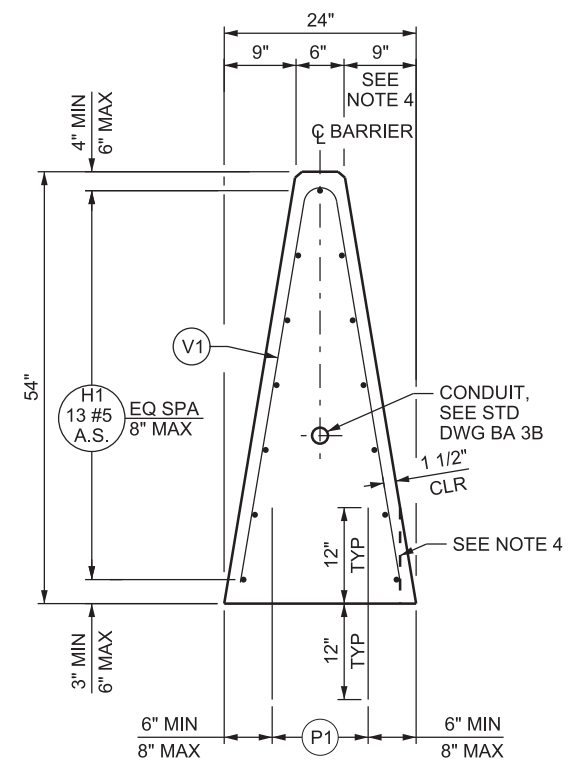


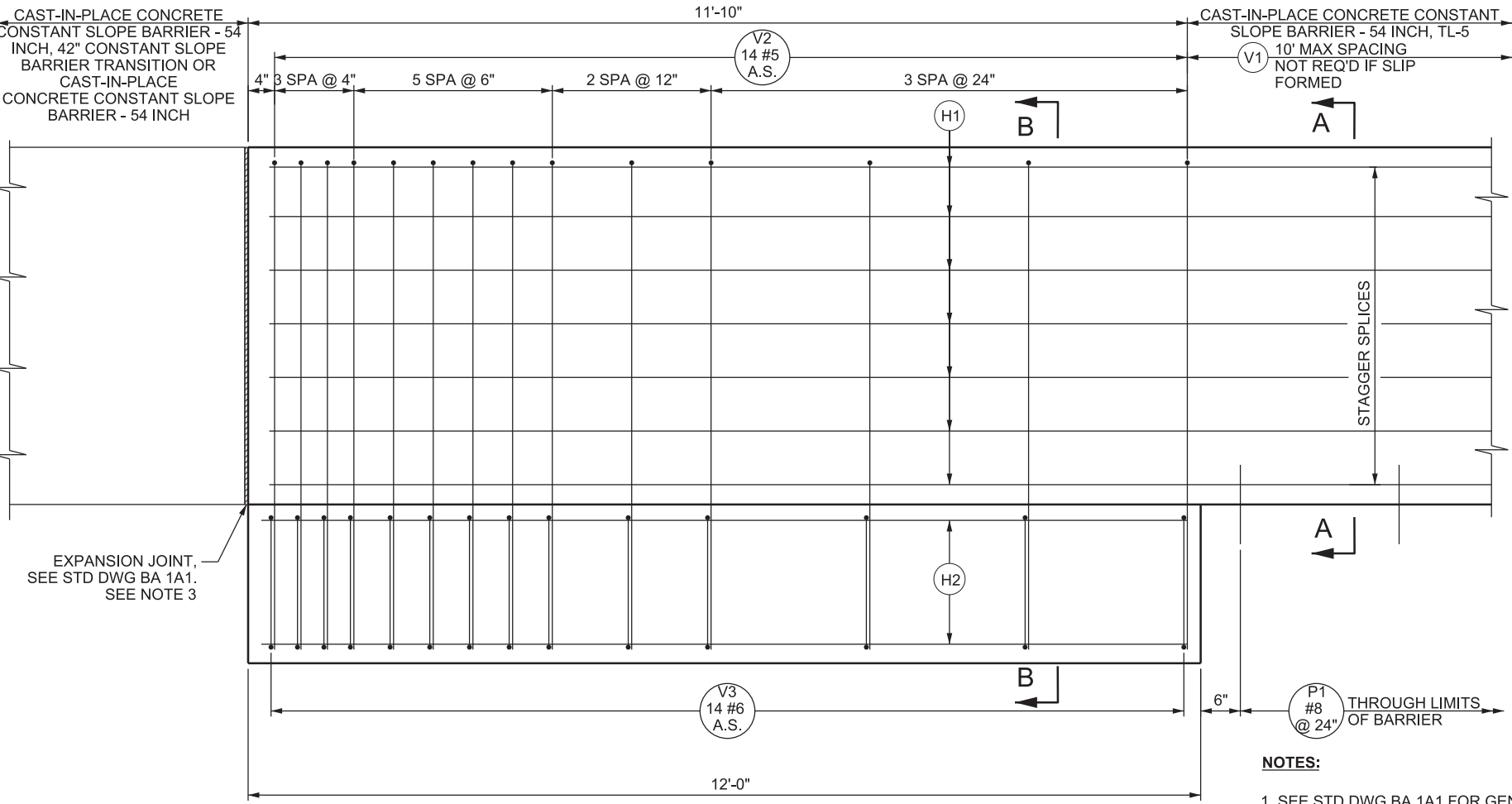
04-SEP-2019 D:\N:\Standard Drawings\Imperial\2017 Approved\Supplemental\Issues\SupplB Approved August - 2019\Backup\B0301.dgn



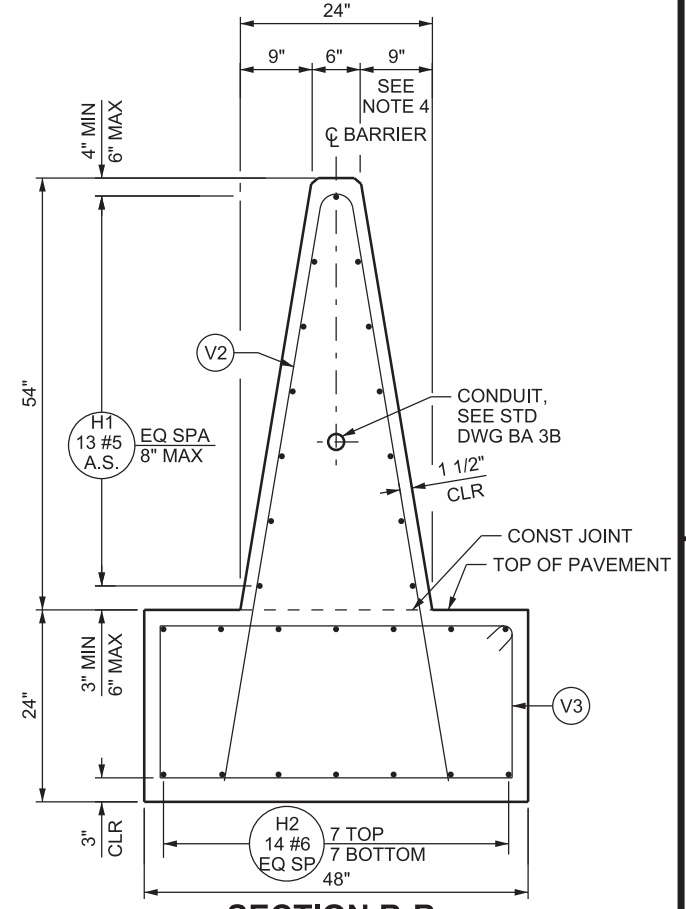
**ELEVATION**  
BARRIER ON PCCP



**SECTION A-A**



**ELEVATION**  
BARRIER ON HMA



**SECTION B-B**

**NOTES:**


1. SEE STD DWG BA 1A1 FOR GENERAL NOTES.
2. SEE STD DWG BA 302 FOR STEPPED MEDIAN DETAILS AND STD DWG BA 303 FOR REINFORCING STEEL SCHEDULE.
3. SEE STD DWG BA 3M2 FOR APPROACH END AND TRAILING END TREATMENTS. NO EXPANSION JOINT REQUIRED.
4. THE 9 INCH DIMENSION MAY BE REDUCED TO 7 INCHES AS SHOWN TO PROVIDE A MINIMUM 2 INCH CLEARANCE TO THE COLUMN IN COLUMN PROTECTION APPLICATIONS. ADJUST REINFORCING STEEL TO PROVIDE MINIMUM COVER.

**SUPPLEMENTAL DRAWING**

REVISIONS		MODIFIED DESIGN ONLY NOTES TO NOTES.	
NO.	DATE	APPR.	REMARKS
1	08/29/19	SDD	

**UTAH DEPARTMENT OF TRANSPORTATION**  
STANDARD DRAWINGS FOR ROAD AND BRIDGE CONSTRUCTION  
SALT LAKE CITY, UTAH

RECOMMENDED FOR APPROVAL:   
CHAIRMAN STANDARDS COMMITTEE APPROVED

DEPUTY DIRECTOR:   
DEPUTY DIRECTOR

DATE: AUG. 29, 2019  
DATE: AUG. 29, 2019

**CAST-IN-PLACE CONCRETE CONSTANT SLOPE BARRIER - 54 INCH, TL-5**  
1 OF 3  
STANDARD DRAWING TITLE

STD. DWG. NO. **BA 301**